

G4 Interior Transponder Mounting Instructions



G4 interior transponders mount to the inside of the vehicle windshield. The preferred mounting location is between the roofline and the rear view mirror post. If adequate space is not available in the preferred mounting location, the transponder can be mounted beside the rear view mirror post. The transponder is secured using 3M™ Dual Lock™ fasteners.

Requirements

- For reliable operation of the transponder, the vehicle should not be equipped with more than one transponder of similar design while passing through a toll facility. Other transponders present in or on the vehicle must be switched off or enclosed in an RF shield.
- The mounting location must provide direct line-of-sight communication between the transponder and the toll facility overhead antenna.
- Do not mount the interior transponder in vehicles:
 - ◆ with non-metallic roofs.
 - ◆ with windshields covered in RF-blocking material (ex. metal oxide).
 - ◆ with a metallic center windshield dividing post.
 - ◆ without center-mounted rear view mirrors.
- Handheld mobile communication devices must not be located within 12" (30 cm) of the transponder.
- Metal objects (except for the rear view mirror and the roof) must not be located within 6" (15cm) of the transponder.
- G4 Interior transponders cannot be used where local regulations prohibit mounting transponders on the windshield.
- Apply the 3M Dual Lock fasteners in accordance with 3M document 70-0709-4029-4.

Transponder Mounting Instructions

3M Dual Lock adhesive pads on the back of the transponder are used to mount the transponder. Choose the correct mounting location of the transponder (preferred or alternative) before affixing it to the windshield.

Preferred Mounting Location

The transponder should be mounted between the roofline and the rear view mirror mounting post, such that the top of the transponder is ½" (1¼ cm), but no more than 2" (5 cm) from the roofline, and the bottom of the transponder is a minimum of ½" (1¼ cm) from the rear view mirror post.

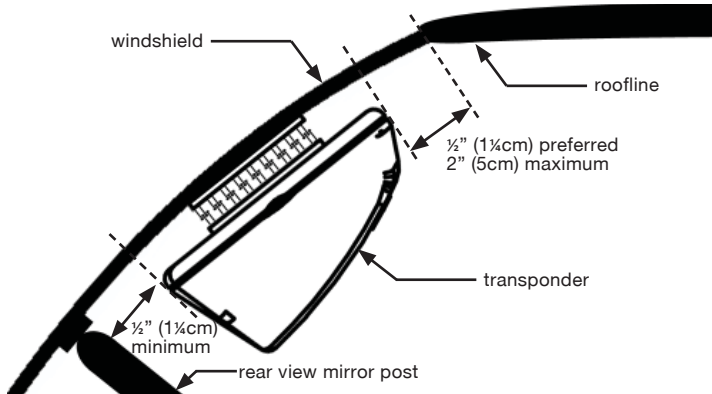
(see diagram for preferred mounting location)

Alternative Mounting Location

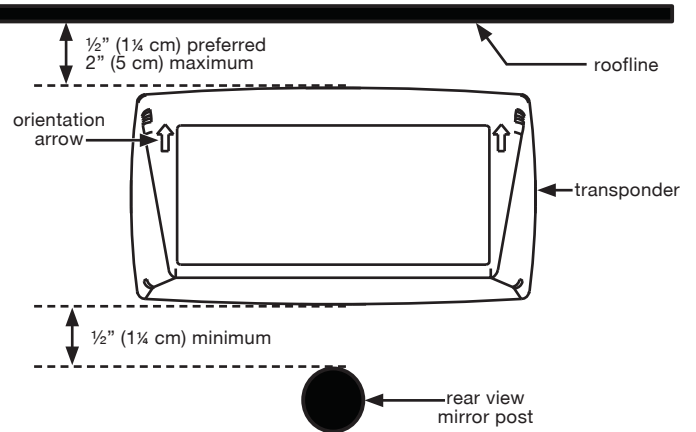
If there is insufficient space in the preferred location, select an alternate mounting location beside the rear view mirror post.

(see diagram for alternative mounting location)

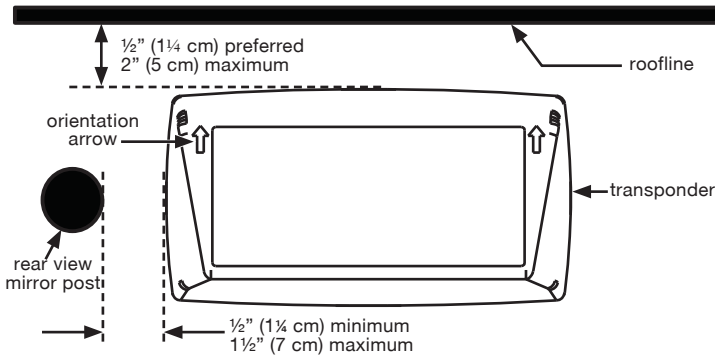
Preferred Mounting Location - Side View



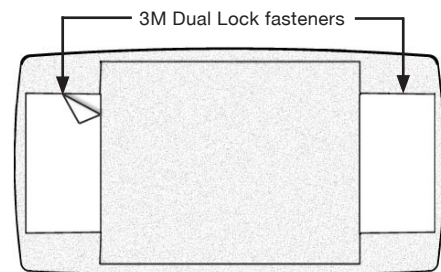
Preferred Mounting Location - Front View



Alternative Mounting Location - Front View



Transponder - Rear View



Mounting Procedure

1. Select the appropriate mounting location for the transponder.
2. Prepare the area on the windshield where the transponder will be mounted (affixed) in accordance with 3M document 70-0709-4029-4.
3. Remove the protective backing from the two 3M Dual Lock fasteners.
4. Firmly press the transponder against the windshield in the mounting location chosen, confirming the orientation arrows are pointing upwards. Maintain pressure for 15 seconds to ensure a good bond.
5. If required, you may remove the transponder from the fastener by lifting any corner with sufficient force to separate the Dual Lock strips. Do not reuse the Dual Lock strips if the strips are removed from the windshield or transponder. Obtain new strips as required.

FCC License Notice - This device complies with part 15 of the FCC rules. Operation is subject to the condition that this device does not cause harmful interference.

Kapsch Group

Kapsch is one of Austria's most successful technology corporations, specialized in the future-oriented market segments of Intelligent Transportation Systems (ITS), Railway and Public Operator Telecommunications, as well as Information and Communications Technology (ICT).

Kapsch. Always one step ahead.

Kapsch TrafficCom North America | 8201 Greensboro Drive | Suite 1002 | McLean, VA 22102 | USA | Phone +1 703 885 1976

E-Mail ktc.us.info@kapsch.net | www.kapschtraffic.com | www.kapsch.net