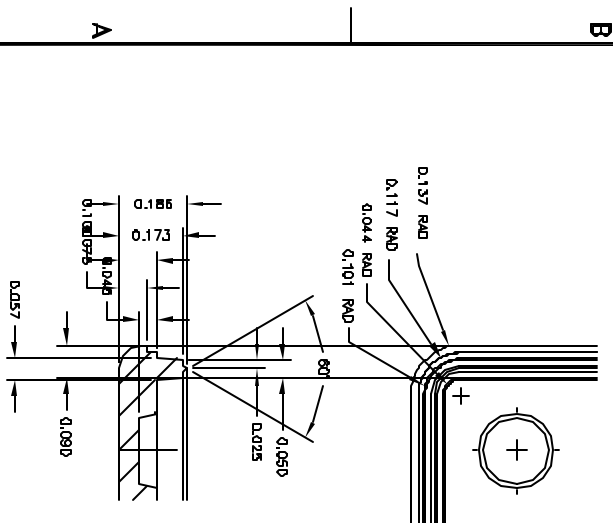
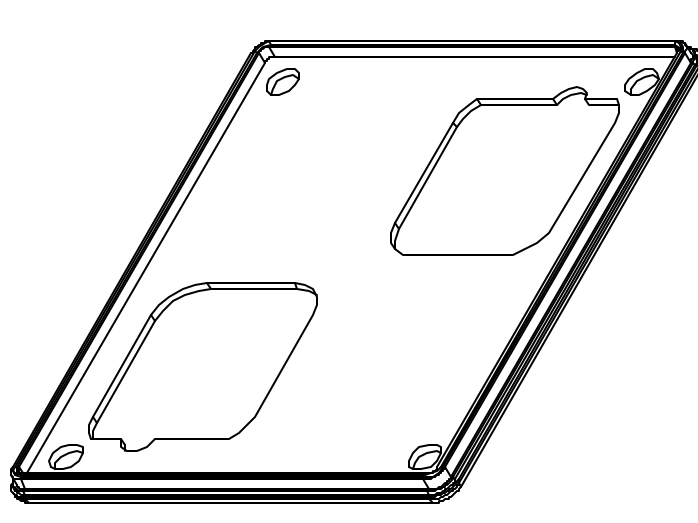
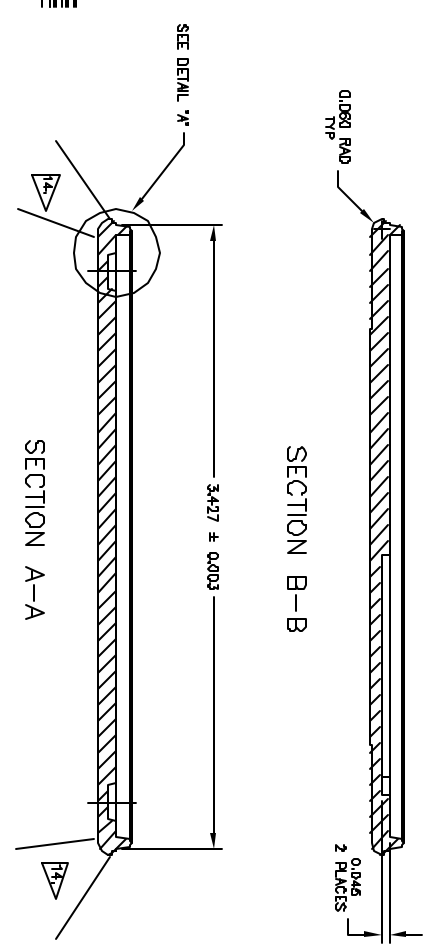
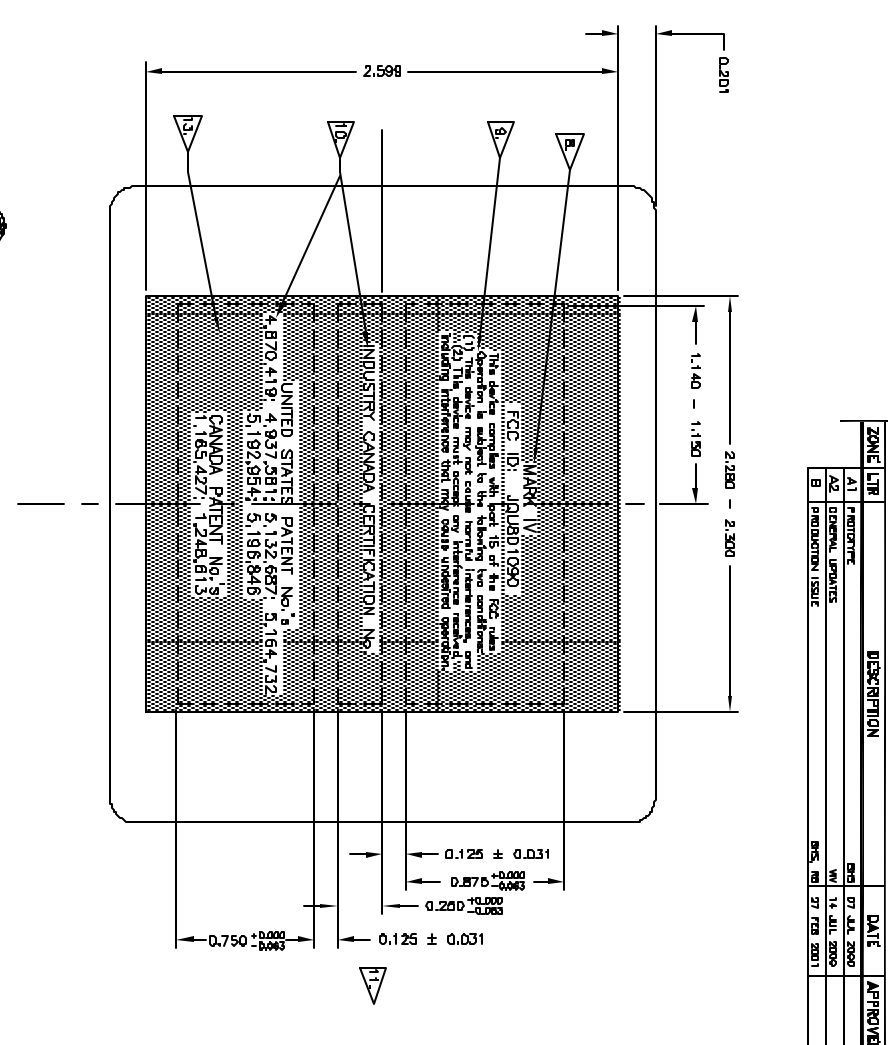
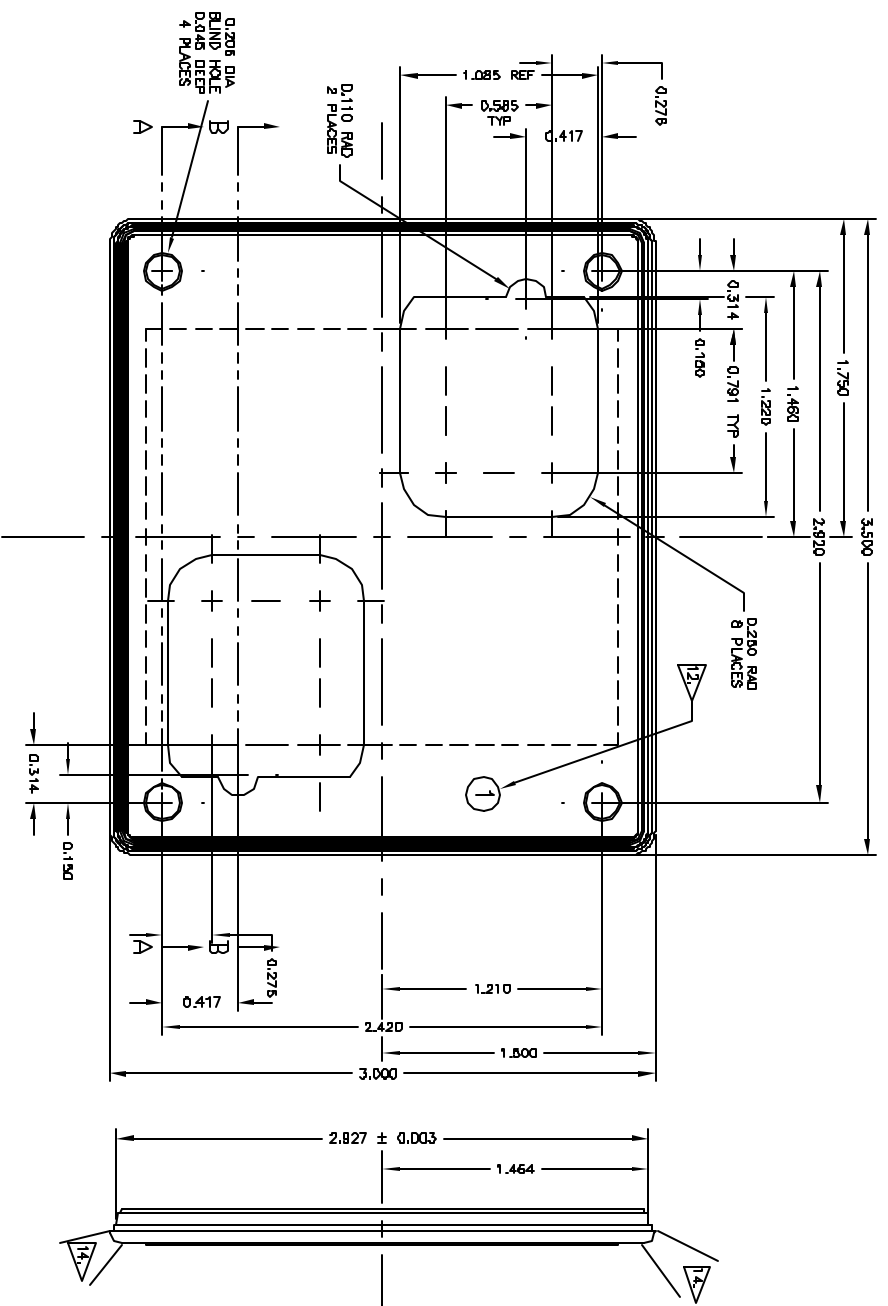


THIS DRAWING IS THE PROPERTY OF MARK IV INDUSTRIES LTD. AND IS NOT TO BE REPRODUCED OR TRANSMITTED IN ANY FORM OR BY ANY MEANS, ELECTRONIC OR MECHANICAL, INCLUDING PHOTOCOPYING, RECORDING, OR BY ANY INFORMATION STORAGE AND RETRIEVAL SYSTEM, WITHOUT THE WRITTEN PERMISSION OF MARK IV INDUSTRIES LTD.

NOTES

- 1 MATERIAL: POLYPROPYLENE
- 2 UNLESS OTHERWISE SPECIFIED THE DRAFT ANGLE IS TO BE 2°
- 3 TOLERANCES ARE NON-ACCUMULATIVE.
- 4 GATES TO BE ON EDGE OR INSIDE
- 5 EXPLORE CAUTION IF A HOT RUNNER SYSTEM IS USED. DIE TO PACKAGING CONSTRAINTS, RAISED AREAS FROM SPRUE WILL BE 0.005 MAX. HIDDEN LINES NOT SHOWN.
- 6 THIS PART MUST MATE TOGETHER WITH MATING PART FP No. 801012-001
- 7 UNDIMENSIONED RAD TO BE 0.010-0.020
- 8 MARK IV LETTERS ARE TO BE 0.080 HIGH, RECESSED NO MORE THAN 0.008, HORIZONTALLY CENTERED, ARTWORK SUPPLIED BY MARK IV.
- 9 LETTERS ARE TO BE 8PT HELVETICA LIGHT AND RECESSED NO MORE THAN 0.005, HORIZONTALLY CENTERED.
- 10 LETTERS ARE TO BE 0.08 HIGH RECESSED NO MORE THAN 0.005, HORIZONTALLY CENTERED.
- 11 ALL TEXT TO BE CENTERED WITHIN THESE DIMENSIONS.
- 12 CAVITY MARK, ENCOMPASSING CIRCLE TO BE RECESSED NO MORE THAN 0.005, TEXT TO BE LEVEL WITH SURROUNDING SURFACE.
- 13 SHARDED AREA TO HAVE A FINE EDM FINISH.
- 14 TEXTURED FINISH UNLINED TEXTURES NO. NT-11329



ZONE/LTR	DESCRIPTION	DATE	APPROVED
A1	PROTOTYPE	09/11/2000	
A2	OPERATIONAL UPGRADES	11/14/2000	
B	PRODUCTION ISSUE	07/27/2001	

DESIGNED BY	DATE	MARK IV INDUSTRIES LTD.
CHECKED BY		IV/H.S. DIVISION
APPROVED BY		MARK IV INDUSTRIES LTD.
DRAWN BY		IV/H.S. DIVISION
DATE		MARK IV INDUSTRIES LTD.
SCALE		MARK IV INDUSTRIES LTD.
ISO CERT. No. 002002		MARK IV INDUSTRIES LTD.
REV. No.		MARK IV INDUSTRIES LTD.
DATE		MARK IV INDUSTRIES LTD.
BY		MARK IV INDUSTRIES LTD.
DATE		MARK IV INDUSTRIES LTD.
BY		MARK IV INDUSTRIES LTD.
DATE		MARK IV INDUSTRIES LTD.