

NOTES, UNLESS OTHERWISE SPECIFIED:

1. CONFIGURE READER AS REQUIRED IN ACCORDANCE WITH THE COMMAND CARD CONFIGURATION PROCEDURE 6300-902.
2. IF NECESSARY, MARK THE FOLLOWING INFORMATION IN AREA SHOWN ON THE PRODUCT LABEL:

A) MODEL NUMBER: (BASIC MODEL NUMBER SHOWN)

6110 B K N 00 0 0 - XYYYYZ

- CUSTOM CONFIGURATION NUMBERS
- CSN WIEGAND OUTPUT MODE
 - 0 = 32 bits, CSN, MSB First
 - 1 = 32 bits, CSN, LSB First
 - 2 = 26 bits, SIA, LSB First
 - 3 = 34 bits, CSN, MSB First w/ beginning and ending parity: beginning = Even for first 16 bits; ending = Odd for last 16 bits
 - 4 = 40 bits, CSN w/8 bit checksum
 - 5 = 37 bits, CSN, MSB First
 - 6 = 56 bits, CSN, MSB First
- OPTIONS BELOW THIS POINT ARE AVAILABLE FOR GSC ONLY
- 7 = 200 bits
- 8 = 64 bits, MSB First
- 9 = 64 bits, LSB First
- A = 40 bits, MSB First
- C = 40 bits, LSB First
- F = HMAC + 200 bits
- G = HMAC + 40 bit MSB
- H = HMAC + 64 bit MSB
- I = 80 bit COMBINED
- J = 32 bit HMAC
- KEY MANAGEMENT OPTIONS
 - 0 = NONE
 - 1 = ELITE
- BEEPER / LED CONFIGURATION OPTIONS
 - 01 THROUGH 09, SEE DRAWING 6300-9XX
- HARDWARE OPTIONS
 - N = STANDARD 18" PIGTAIL CABLE
 - T = TERMINAL STRIPS
- COLOR OPTIONS
 - G = GRAY
 - K = BLACK
- PRODUCT REVISION NUMBER
- PRODUCT MODEL NUMBER

B) FINAL ASSEMBLY NUMBER: 6304-300-XX.

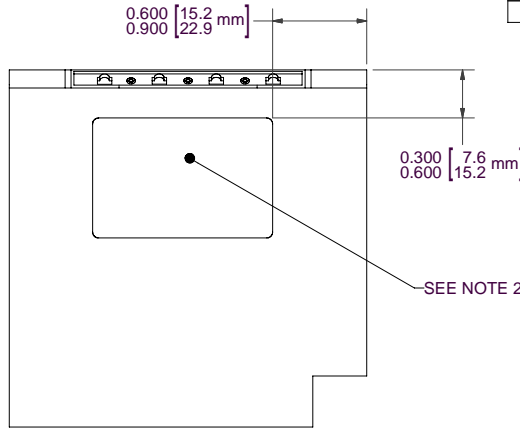
C) SERIAL NUMBER:

WW YY - NNNNN

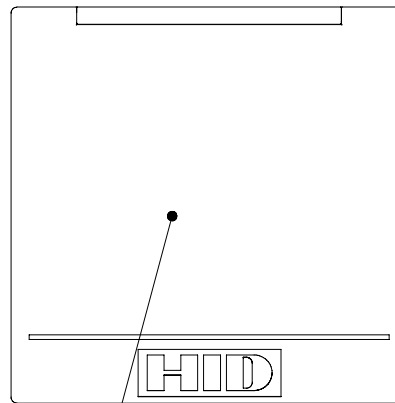
- SERIAL NUMBER
- YY = YEAR
- WW = WEEK OF YEAR

3. PACKAGE ITEM 2 (ACC KIT) ALONG WITH ITEM 1 (ASSEMBLED READER) INTO ITEM 4 (SHIPPING BOX) AND APPLY ITEM 3 (SHIPPING LABEL).
4. DIMENSION/S ARE IN INCH/ES [MILLIMETER/S].

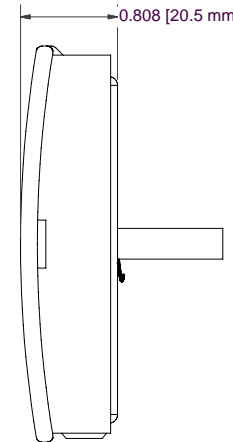
REVISION HISTORY				
REV	ECO #	DESCRIPTION	DATE	APPROVED
1	-	INITIAL PROTOTYPE	080305	CDShea
2	Value	ADD GSC 2.0 OPTIONS	102405	RB
3	-	PARTS AND ASSYS UPDATED	110705	CDShea
A	ITG00274	INITIAL RELEASE	031406	CH



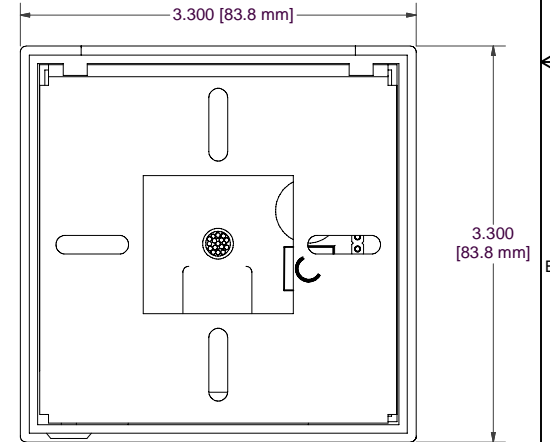
FRONT VIEW



FRONT VIEW



SIDE VIEW
PIGTAIL VERSION SHOWN



BACK VIEW
PIGTAIL VERSION SHOWN

BEZEL ASSEMBLY

SEE SEPARATE PARTS LISTS

THIS DOCUMENT CONTAINS PROPRIETARY INFORMATION. IT MAY NOT BE DISCLOSED TO OTHERS OR USED FOR MANUFACTURING PURPOSES WITHOUT PERMISSION FROM HID CORPORATION.

FIND NO	CAGE NO	QTY REQD	PART OR IDENTIFYING NO	NOMENCLATURE OR DESCRIPTION
EXCEPT AS NOTED DIMENSIONS ARE IN INCHES PER ANSI Y14.5M				IRVINE, CALIFORNIA DWG TITLE END ITEM, R30 iCLASS UNIVERSAL READER
DO NOT SCALE DRAWING		APPROVALS	DATE	
.XX	.XXX	ANGLES	DWN C. SHEA	080305
+/- .01	+/- .005	+/- 1	DSGN C. SHEA	080305
MATERIAL				CHK
FINISH				APVD
				APVD
SIZE		CAGE CODE	DWG NO	REV
C			6110B	A
SCALE: N/A			SHEET: 1 of 1	