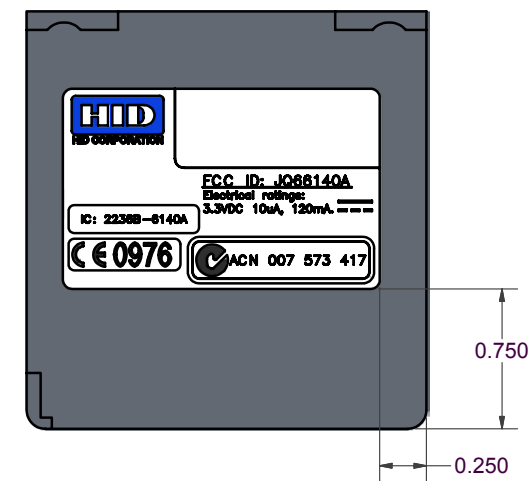
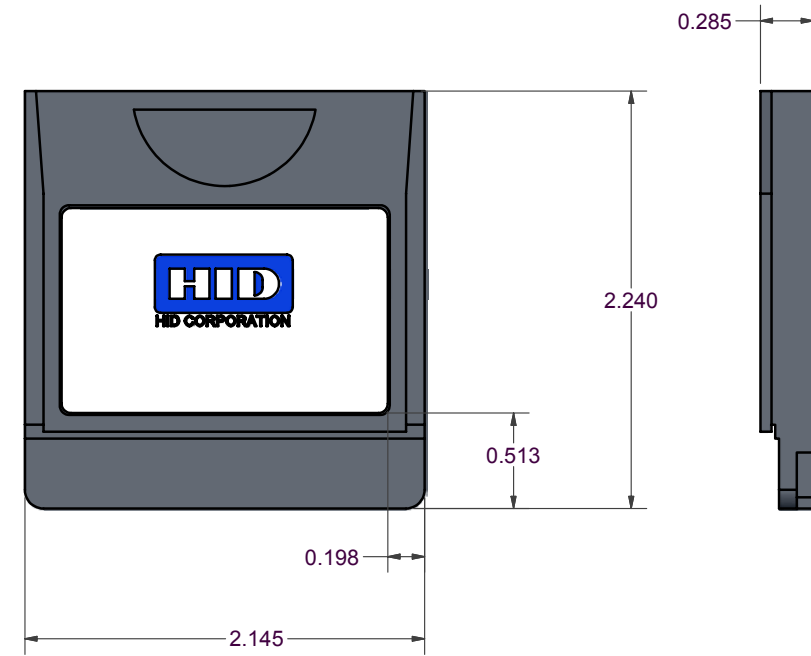



NOTES:
1.

REVISION HISTORY			
REV	DESCRIPTION	DATE	AUTH
A		5AUG03	RB



FIND NO	CAGE NO	QTY REQD	PART OR IDENTIFYING NO	NOMENCLATURE OR DESCRIPTION
EXCEPT AS NOTED DIMENSIONS ARE IN INCHES PER ANSI Y14.5M				 IRVINE, CALIFORNIA HANDSPRING
DO NOT SCALE DRAWING				
APPROVALS		DATE		DWG TITLE
DWN RB		5AUG03		
MATERIAL		DSGN		SIZE C CAGE CODE DWG NO 6140-300
FINISH		APVD		
		APVD		REV A SCALE: 1/1 SHEET: 1 of 2

THIS DOCUMENT CONTAINS PROPRIETARY INFORMATION. IT MAY NOT BE DISCLOSED TO OTHERS OR USED FOR MANUFACTURING PURPOSES WITHOUT PERMISSION FROM HID CORPORATION.