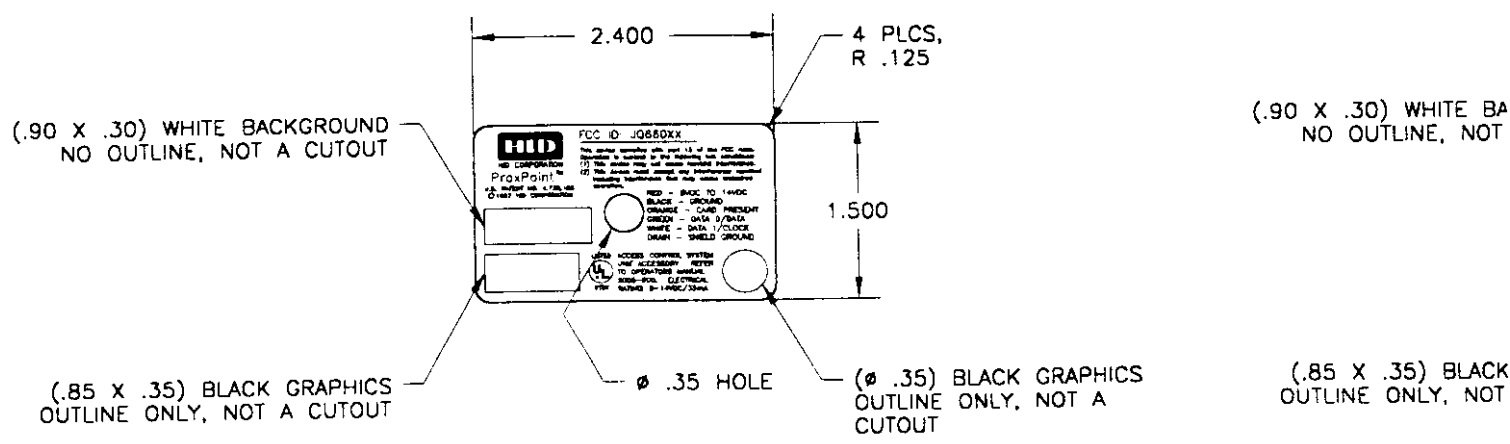


*EXHIBIT A*

FCC ID LABEL

NOTES, UNLESS OTHERWISE SPECIFIED:

- 1. MATERIAL: DIECUT WHITE POLYESTER, .005 THK, PERMANENT ADHESIVE ON ONE SIDE, ON EASILY REMOVABLE TRACTOR FEED BACKING.
  - A) FLOOD COAT BACKGROUND PER PMS-429C.
  - B) TEXT PER PMS-BLACK.
  - C) "HID" LOGO BACKGROUND PER PMS-286C. "HID" TEXT PER PMS-WHITE.
- 2. FINISH: MATTE
- 3. LABEL SHALL BE MANUFACTURED BY A U.L. APPROVED VENDOR, USING U.L. APPROVED MATERIALS.
- 4. GRAPHICS ON FIELD OF DRAWING FOR REFERENCE ONLY. ARTWORK SHALL BE GENERATED FROM ADOBE ILLUSTRATOR FILE 6005-103-XX.AI.



-01 PART

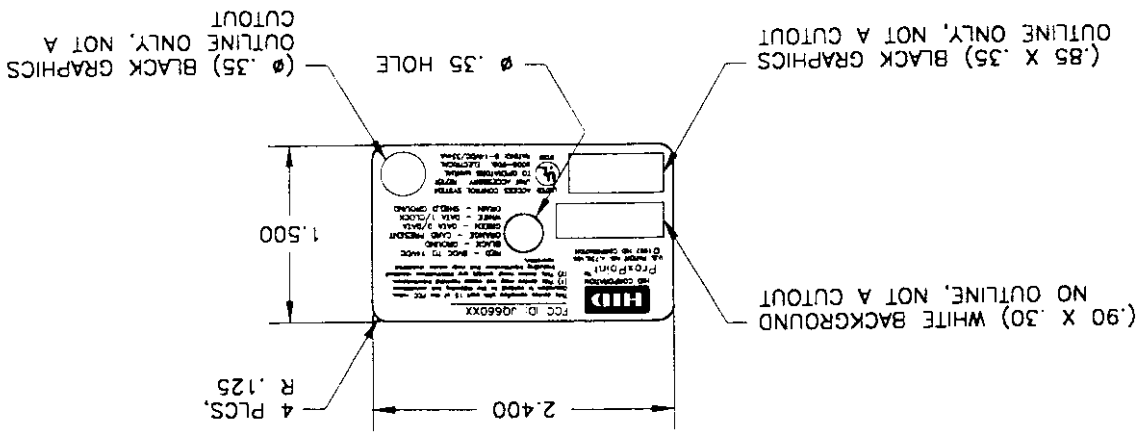
© 1998  
 HID CORPORATION  
 All rights reserved

THIS DOCUMENT CONTAINS PROPRIETARY INFORMATION. IT MAY NOT BE DISCLOSED TO OTHERS OR USED FOR MANUFACTURING PURPOSES WITHOUT PERMISSION FROM HUGHES IDENTIFICATION DEVICES.

FIND NO
EXI DIM PE
.XX
±.03
MATER
FINISH

THIS DOCUMENT CONTAINS  
PROPRIETARY INFORMATION.  
IT MAY NOT BE DISCLOSED  
TO OTHERS OR USED FOR  
MANUFACTURING PURPOSES  
WITHOUT PERMISSION FROM  
HUGHES IDENTIFICATION  
DEVICES.

-01 PART



(.85 X .35) BLACK GRAPHICS OUTLINE ONLY, NOT A CUTOUT

(.90 X .30) WHITE BACKGROUND NO OUTLINE, NOT A CUTOUT

- NOTES, UNLESS OTHERWISE SPECIFIED:
1. MATERIAL: DIECUT WHITE POLYESTER, .005 THK, PERMANENT ADHESIVE ON ONE SIDE, ON EASILY REMOVABLE TRACTOR FEED BACKING.
  2. FINISH: MATTE.
  3. LABEL SHALL BE MANUFACTURED BY A U.L. APPROVED VENDOR, USING U.L. APPROVED MATERIALS.
  4. GRAPHICS ON FIELD OF DRAWING FOR REFERENCE ONLY. ARTWORK SHALL BE GENERATED FROM ADOBE ILLUSTRATOR FILE 6005-103-XX.AI.

A

B

C

D

3

4

3

4