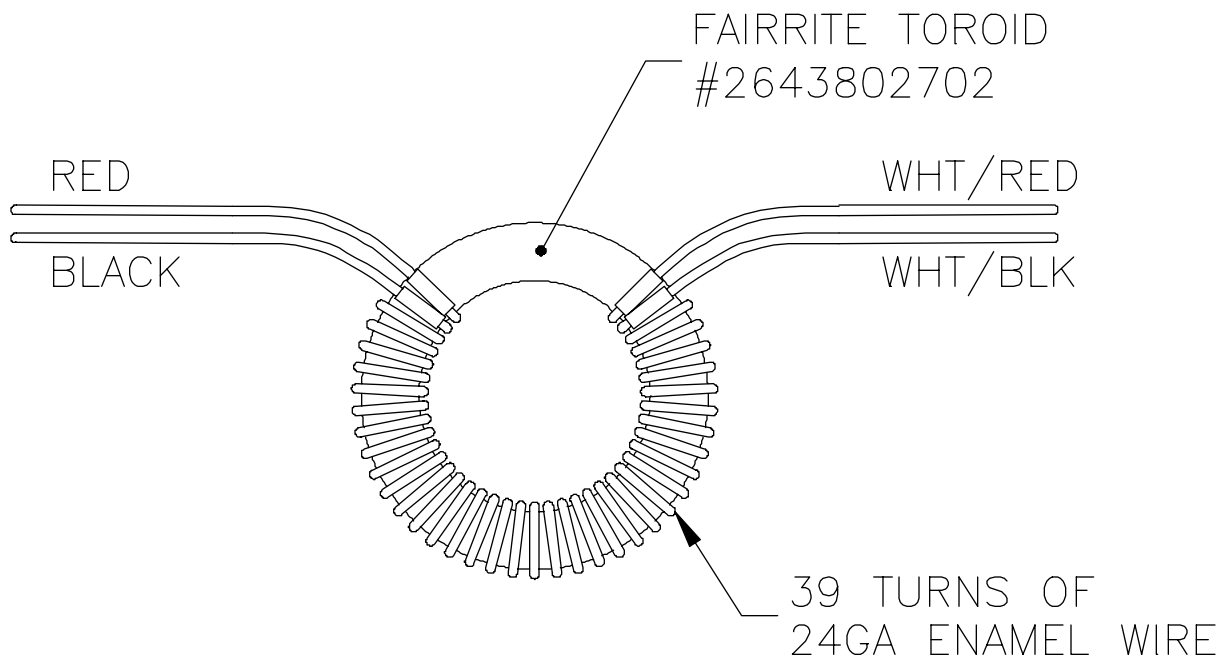




Install Manual Addendum – 6055-911 Rev A  
IQ CARD READER™ Installation Manual



Install tape to secure coil and lead wires. The toroid above needs to be installed between the Power Supply and the Reader in order to maintain CE compliance.

The Red Lead is connected to the + side of the Power Supply output. The Black Lead is connected to the – side of the Power Supply output.

The White Lead with a Red stripe is connected to the Red Lead of the Reader. The White Lead with a Black stripe is connected to the Black Lead of the Reader.

Install clamp-on ferrite part. Fairrite #0443164151 and torroid as shown in the schematic below.

