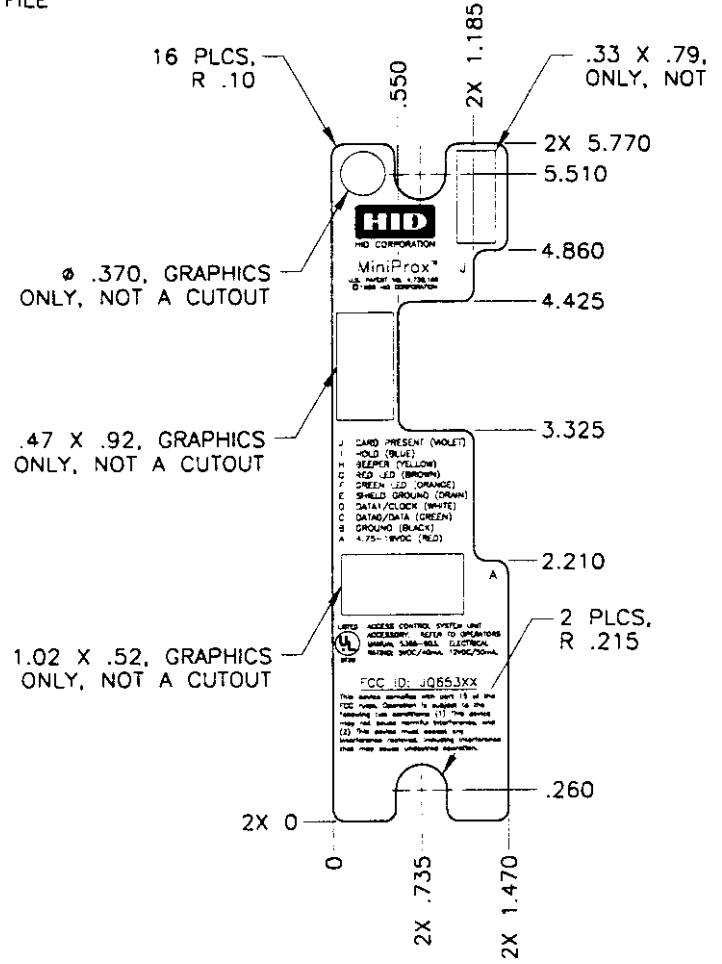


EXHIBIT A

FCC ID LABEL

NOTES, UNLESS OTHERWISE SPECIFIED:

- 1. MATERIAL: DIECUT WHITE POLYESTER, .005 THK, PERMANENT ADHESIVE ON ONE SIDE, ON EASILY REMOVABLE TRACTOR FEED BACKING.
 - A) FLOOD COAT BACKGROUND PER PMS-429C.
 - B) TEXT PER PMS-BLACK.
 - C) "HID" LOGO BACKGROUND PER PMS-286C. "HID" TEXT PER PMS-WHITE.
- 2. FINISH: MATTE
- 3. LABEL SHALL BE MANUFACTURED BY A U.L. APPROVED VENDOR, USING U.L. APPROVED MATERIALS.
- 4. PRINT GRAPHICS USING AND ENCAPSULATED POST SCRIPT FILE GENERATED FROM THE ELECTRONIC DATA BASE OF THIS DRAWING.



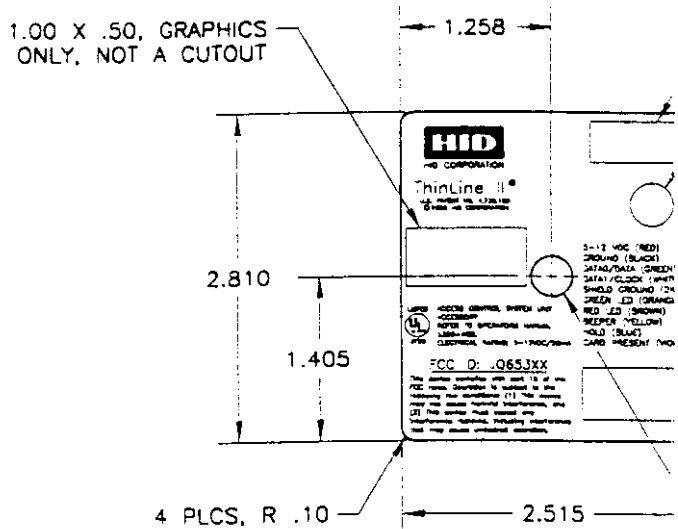
© 1998
 HID CORPORATION
 All rights reserved

THIS DOCUMENT CONTAINS PROPRIETARY INFORMATION. IT MAY NOT BE DISCLOSED TO OTHERS OR USED FOR MANUFACTURING PURPOSES WITHOUT PERMISSION FROM LUGHE'S IDENTIFICATION DEVICES.

FIND NO
EXC
DIM
PE
.XX
±.03
WATER
S
FINISH
S

NOTES, UNLESS OTHERWISE SPECIFIED:

- 1. MATERIAL: DIECUT WHITE POLYESTER, .005 THK, PERMANENT ADHESIVE ON ONE SIDE, ON EASILY REMOVABLE TRACTOR FEED BACKING.
 - A) FLOOD COAT BACKGROUND PER PMS-429C.
 - B) TEXT PER PMS-BLACK.
 - C) "HID" LOGO BACKGROUND PER PMS-286C. "HID" TEXT PER PMS-WHITE.
- 2. FINISH: MATTE
- 3. LABEL SHALL BE MANUFACTURED BY A U.L. APPROVED VENDOR, USING U.L. APPROVED MATERIALS.
- 4. PRINT GRAPHICS USING AND ENCAPSULATED POST SCRIPT FILE GENERATED FROM THE ELECTRONIC DATA BASE OF THIS DRAWING.



© 1998
HID CORPORATION
All rights reserved

THIS DOCUMENT CONTAINS PROPRIETARY INFORMATION. IT MAY NOT BE DISCLOSED TO OTHERS OR USED FOR MANUFACTURING PURPOSES WITHOUT PERMISSION FROM HUGHES IDENTIFICATION DEVICES.

FIND NO
EXC DIM PER
.XX
MATERI
S
FINISH
S

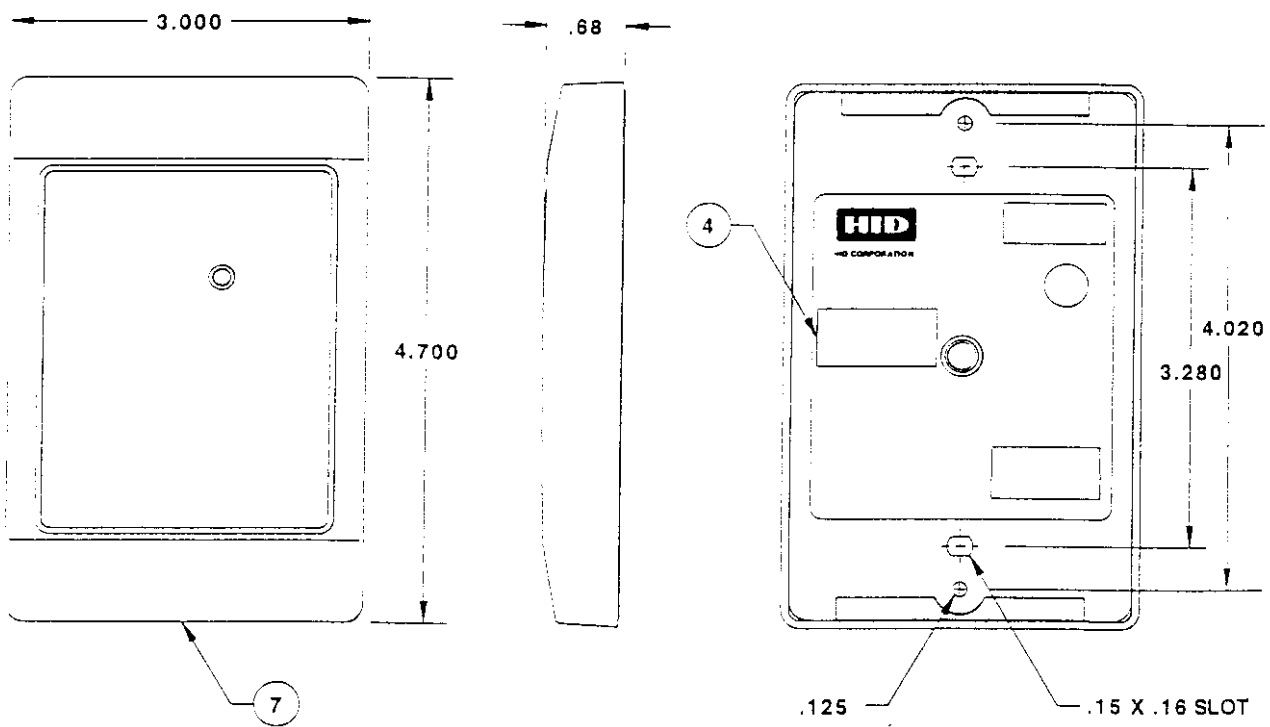
2.3 Packaging, Dimensions

2.3.1 Packaging Information

Notes - Unless otherwise specified:

- 1) Configure Item 1 (Reader assembly) per Item 6 (Configuration Procedure).
- 2) Print model and serial number on Item 4 (Label).
- 3) Apply Label to back of Reader Assembly in position provided.
- 4) Package Item 1 (completed Reader), Item 2 (Accessory kit), and item 7 (Cover) into Item 3 (shipping box).
- 5) Apply Item 5 (Label) to the shipping box. Mark lot, serial number and Model number in location provided.

2.3.2 Front, side, and back view



2.3.4 Back View, Terminal Strip and Pigtail - Potted

