

*EXHIBIT A*

FCC ID LABEL

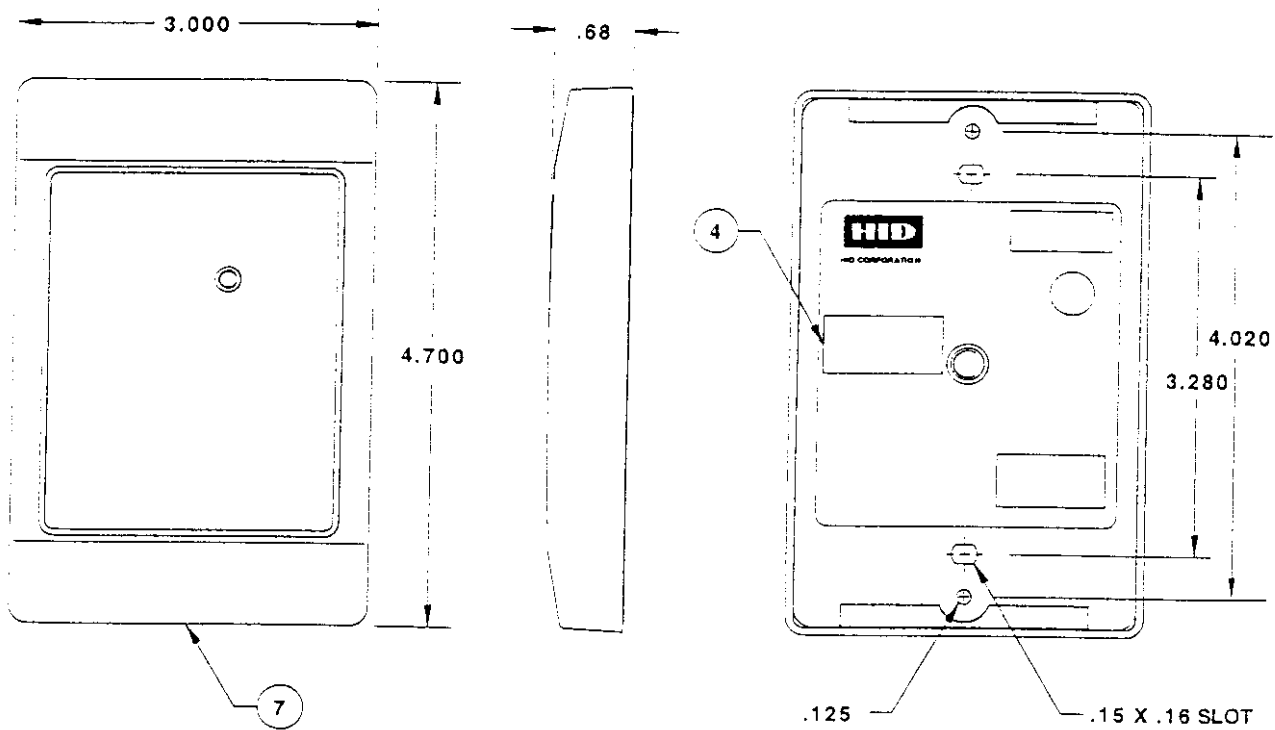
## 2.3 Packaging, Dimensions

### 2.3.1 Packaging Information

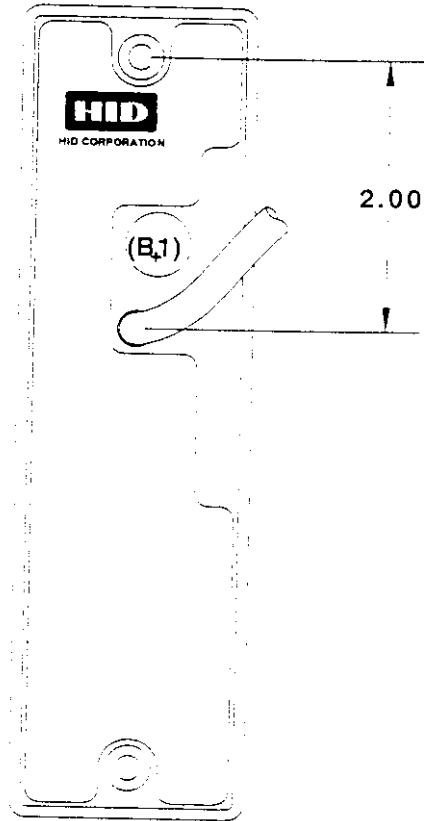
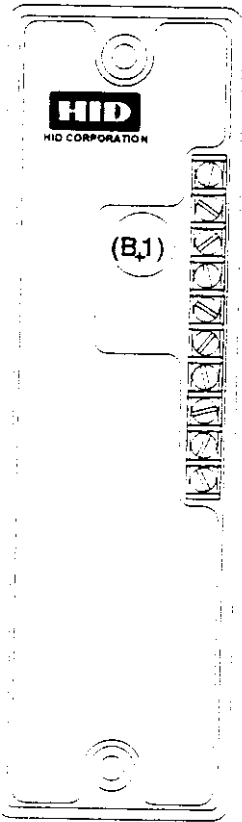
Notes - Unless otherwise specified:

- 1) Configure Item 1 (Reader assembly) per Item 6 (Configuration Procedure).
- 2) Print model and serial number on Item 4 (Label).
- 3) Apply Label to back of Reader Assembly in position provided.
- 4) Package Item 1 (completed Reader), Item 2 (Accessory kit), and item 7 (Cover) into Item 3 (shipping box).
- 5) Apply Item 5 (Label) to the shipping box. Mark lot, serial number and Model number in location provided.

### 2.3.2 Front, side, and back view



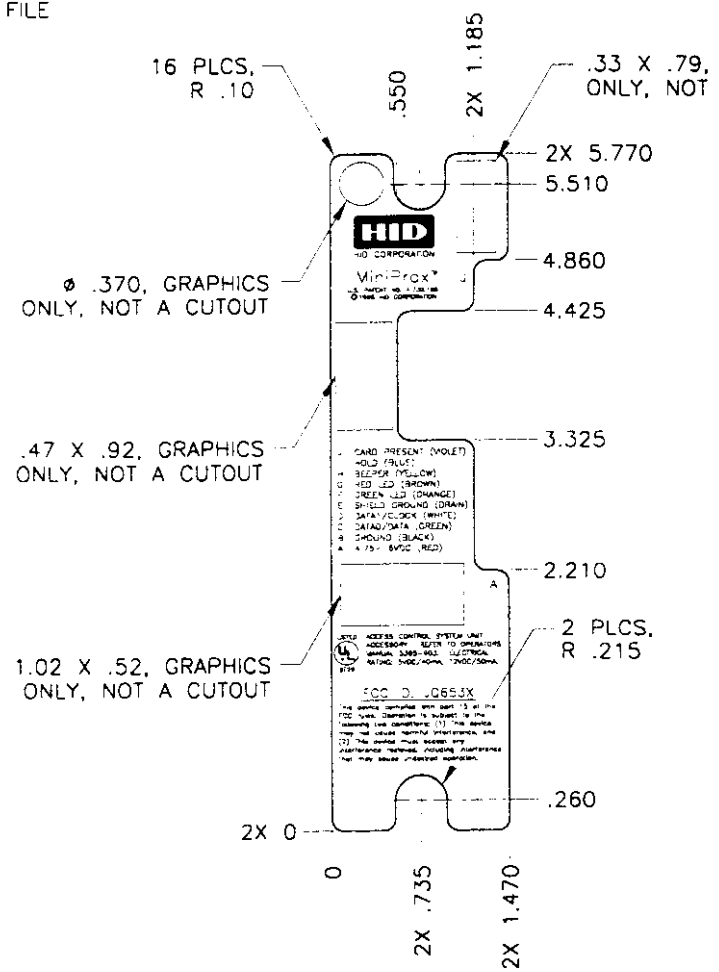
### 2.3.4 Back View, Terminal Strip and Pigtail - Potted





NOTES, UNLESS OTHERWISE SPECIFIED:

- 1. MATERIAL: DIECUT WHITE POLYESTER, .005 THK, PERMANENT ADHESIVE ON ONE SIDE, ON EASILY REMOVABLE TRACTOR FEED BACKING.
  - A) FLOOD COAT BACKGROUND PER PMS-429C.
  - B) TEXT PER PMS-BLACK.
  - C) "HID" LOGO BACKGROUND PER PMS-286C. "HID" TEXT PER PMS-WHITE.
- 2. FINISH: MATTE
- 3. LABEL SHALL BE MANUFACTURED BY A U.L. APPROVED VENDOR, USING U.L. APPROVED MATERIALS.
- 4. PRINT GRAPHICS USING AND ENCAPSULATED POST SCRIPT FILE GENERATED FROM THE ELECTRONIC DATA BASE OF THIS DRAWING.



© 1998  
HID CORPORATION  
All rights reserved

THIS DOCUMENT CONTAINS PROPRIETARY INFORMATION. IT MAY NOT BE DISCLOSED TO OTHERS OR USED FOR MANUFACTURING PURPOSES WITHOUT PERMISSION FROM HUGHES IDENTIFICATION DEVICES.

FIND NO
EX: DIM DE
XX
.03
MATER
FINISH



REVISIONS			
REV.	DESCRIPTION	DATE	APPROVED
C	REVISED PER ECO #E5365-32		

COMPUTER GENERATED DRAWING  
 REVISIONS MUST BE MADE TO DATABASE  
 AUTOCAD RELEASE 13

D

C

PHICS  
CUTOUT

DWG NO 5365-109  
 SH 1

-01 PART

DWG NO	REV	PART OR IDENTIFYING NO	NOVENCATURE OR DESCRIPTION
PARTS LIST			
AS NOTED DIMENSIONS XXX ANGLES 0.020 ± 1'		DO NOT SCALE DRAWING	
APPROVALS		DATE	
DWG	ARSENEAU	081597	DWG TITLE LABEL, ID/FCC/UL
CHK	GRIFFIN	082297	
APVD	OKUDA	082297	
APVD	SIMPSON	082297	
NOTE 1			SIZE C
NOTE 2			GAGE CODE
		DWG NO 5365-109	
		REV C	
		SCALE 1/1	
		SHEET 1 OF 1	

A

4

3



NOTES, UNLESS OTHERWISE SPECIFIED:

- 1. MATERIAL: DIECUT WHITE POLYESTER, .005 THK, PERMANENT ADHESIVE ON ONE SIDE, ON EASILY REMOVABLE TRACTOR FEED BACKING.
  - A) FLOOD COAT BACKGROUND PER PMS-429C.
  - B) TEXT PER PMS-BLACK.
  - C) "HID" LOGO BACKGROUND PER PMS-286C. "HID" TEXT PER PMS-WHITE.
- 2. FINISH: MATTE
- 3. LABEL SHALL BE MANUFACTURED BY A U.L. APPROVED VENDOR, USING U.L. APPROVED MATERIALS.
- 4. PRINT GRAPHICS USING AND ENCAPSULATED POST SCRIPT FILE GENERATED FROM THE ELECTRONIC DATA BASE OF THIS DRAWING.

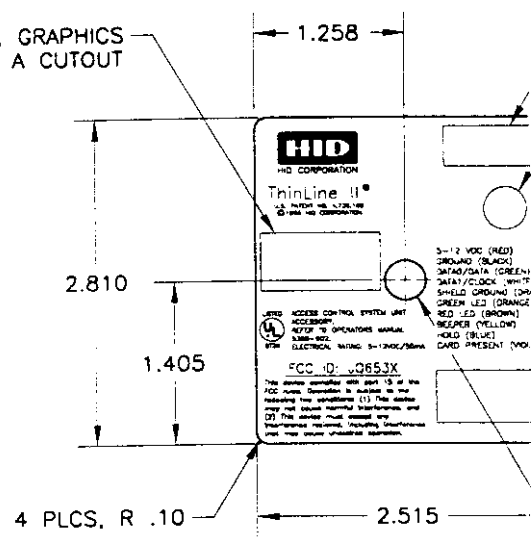
D

C

B

A

1.00 X .50, GRAPHICS ONLY, NOT A CUTOUT



© 1998  
 HID CORPORATION  
 All rights reserved

THIS DOCUMENT CONTAINS PROPRIETARY INFORMATION. IT MAY NOT BE DISCLOSED TO OTHERS OR USED FOR MANUFACTURING PURPOSES WITHOUT PERMISSION FROM HUGHES IDENTIFICATION DEVICES.

FIND NO
EXC D.M. PER
.XX
±.03
MATERIAL
SI
FINISH
SI

4

3



REVISIONS			
REV	DESCRIPTION	DATE	APPROVED
B	REVISED PER ECO #E5395-10		

COMPUTER GENERATED DRAWING  
 REVISIONS MUST BE MADE TO DATABASE  
 AUTOCAD RELEASE 13

D

C


DWG NO 5395-107

SHT 1

.85 X .35, GRAPHICS ONLY, NOT A CUTOUT  
 .370, GRAPHICS ONLY, NOT A CUTOUT

.90 X .45, GRAPHICS ONLY, NOT A CUTOUT  
 .35

-01 PART

QTY	PART OR IDENTIFYING NO	NOMENCLATURE OR DESCRIPTION
PARTS LIST		
DO NOT SCALE DRAWING		 IRVINE, CALIFORNIA
APPROVALS	DATE	
DWN ANDRESKY	081597	DWG TITLE LABEL, ID/FCC/UL SIZE C CAGE CODE DWG NO 5395-107 REV B SCALE 1/1 SHEET 1 OF 1
CHK GRIFFIN	082297	
APVD OKUDA	082297	
APVD SIMPSON	082297	

A