



HID Global

2.4GHz Test Report

7-29-2019

BLUFLUX, LLC

- All antennas are tuned higher than the band of interest
- The conductive enclosures have no impact on efficiency or gain



40k

40

20k

20

Conductive enclosures

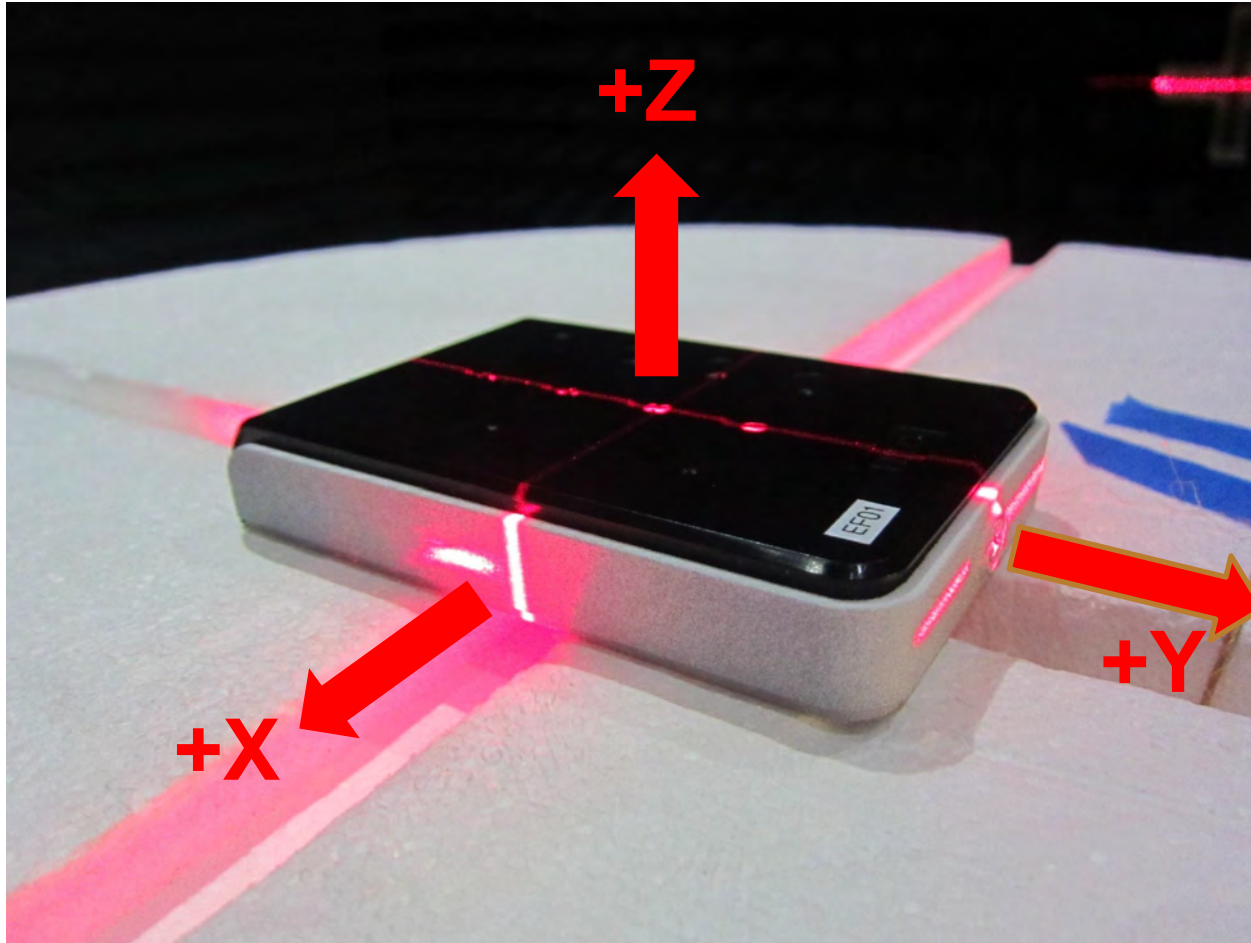
S-parameter



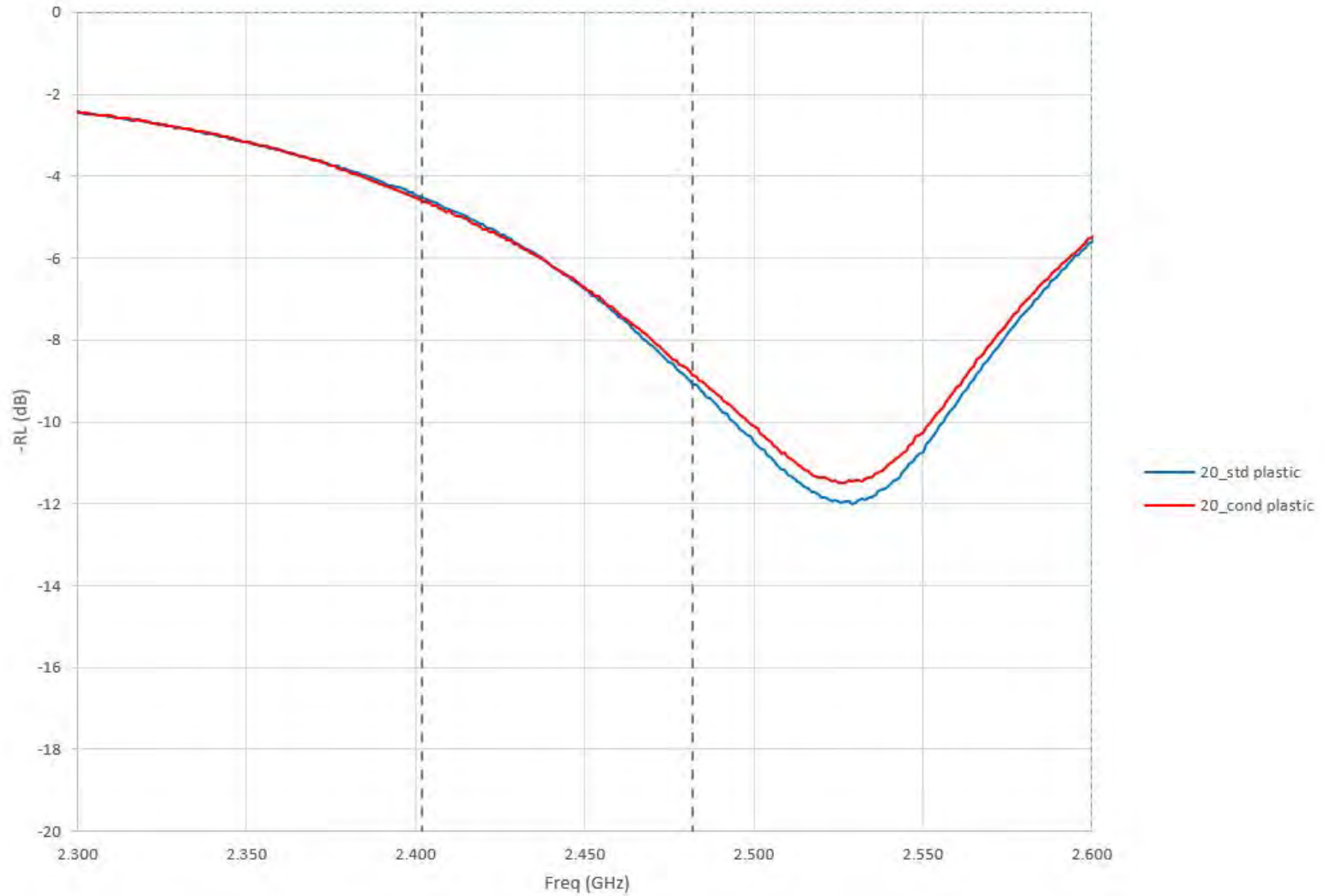
Chamber 3D patterns

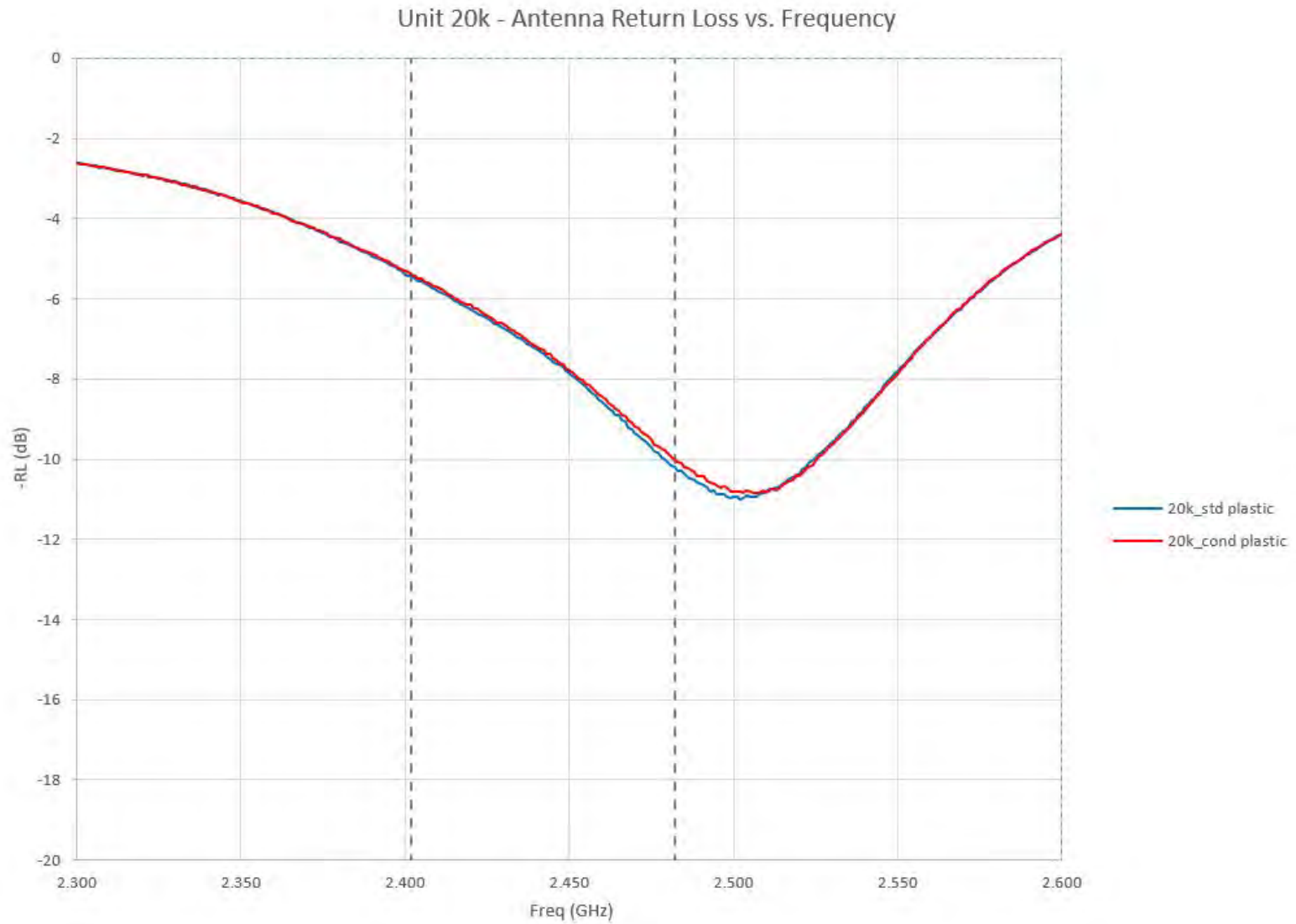


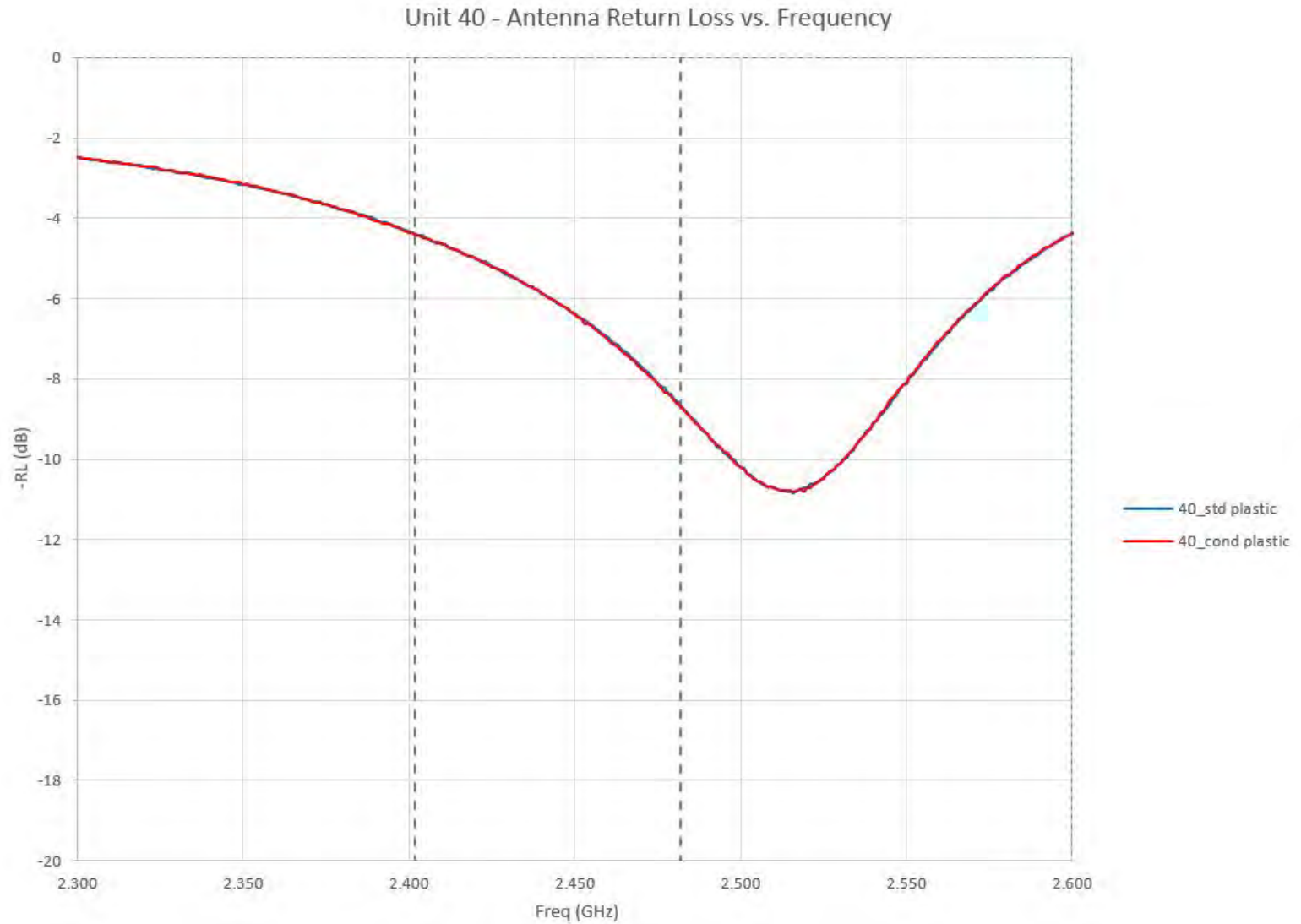
Coordinate system for pattern testing

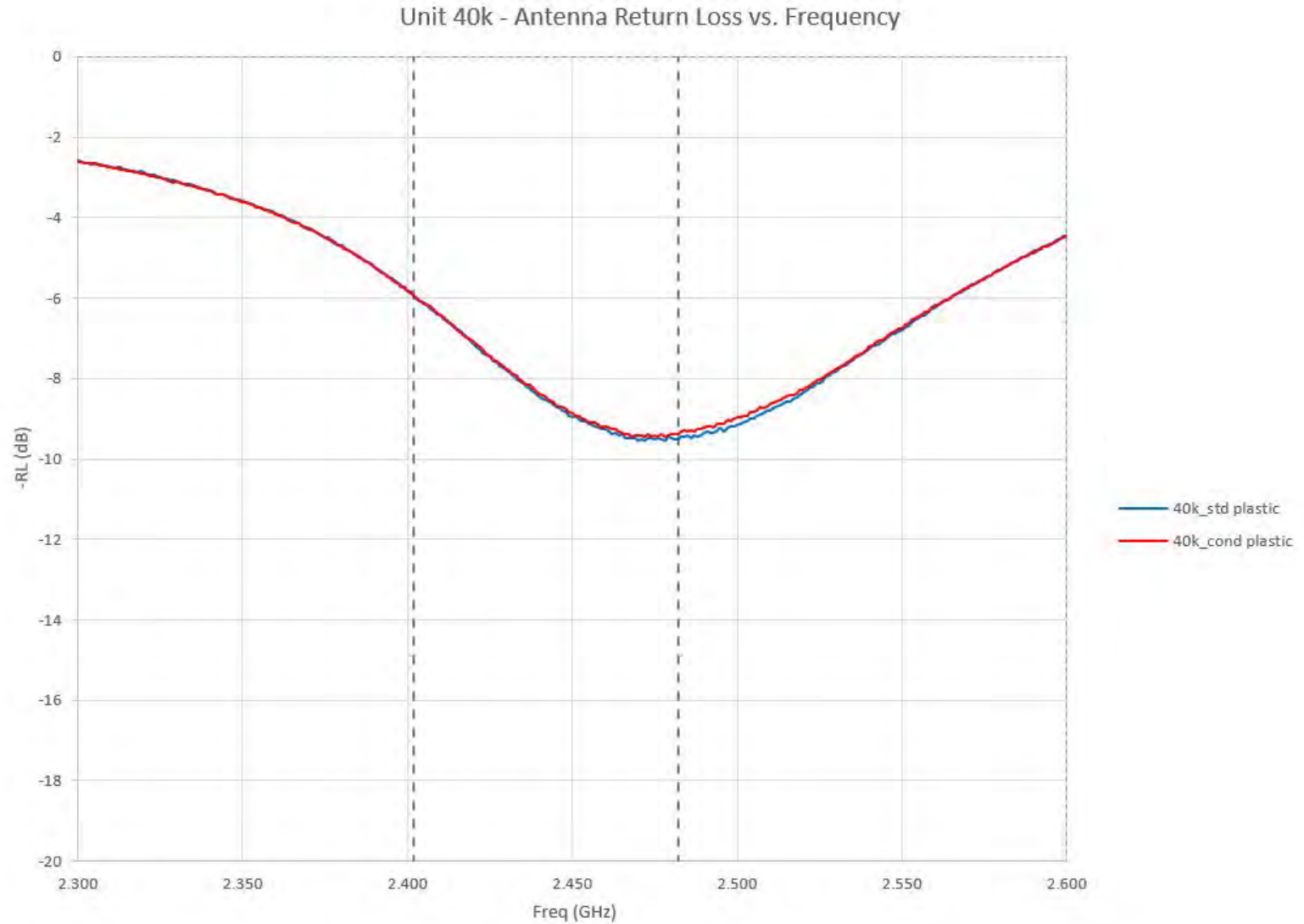


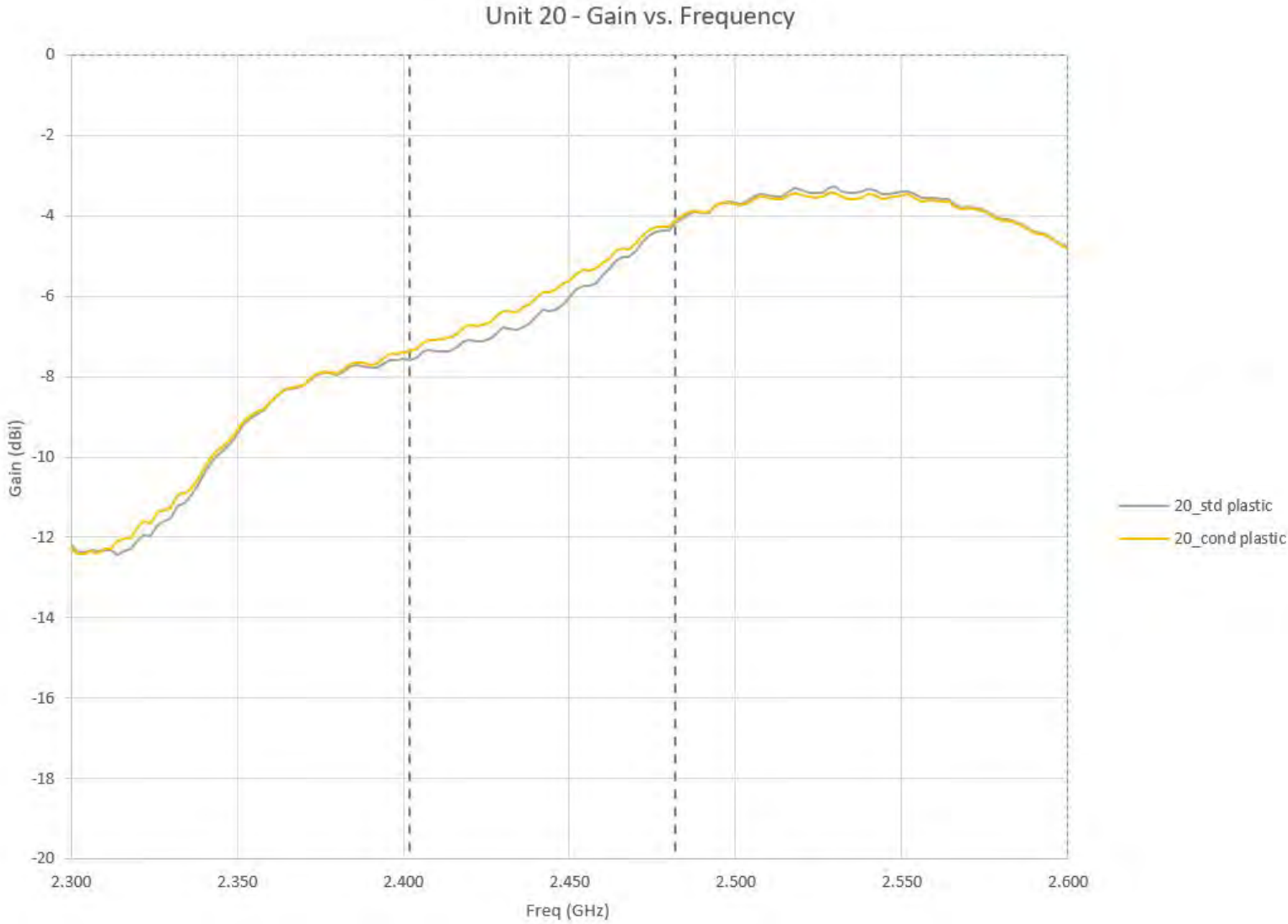
Unit 20 - Antenna Return Loss vs. Frequency

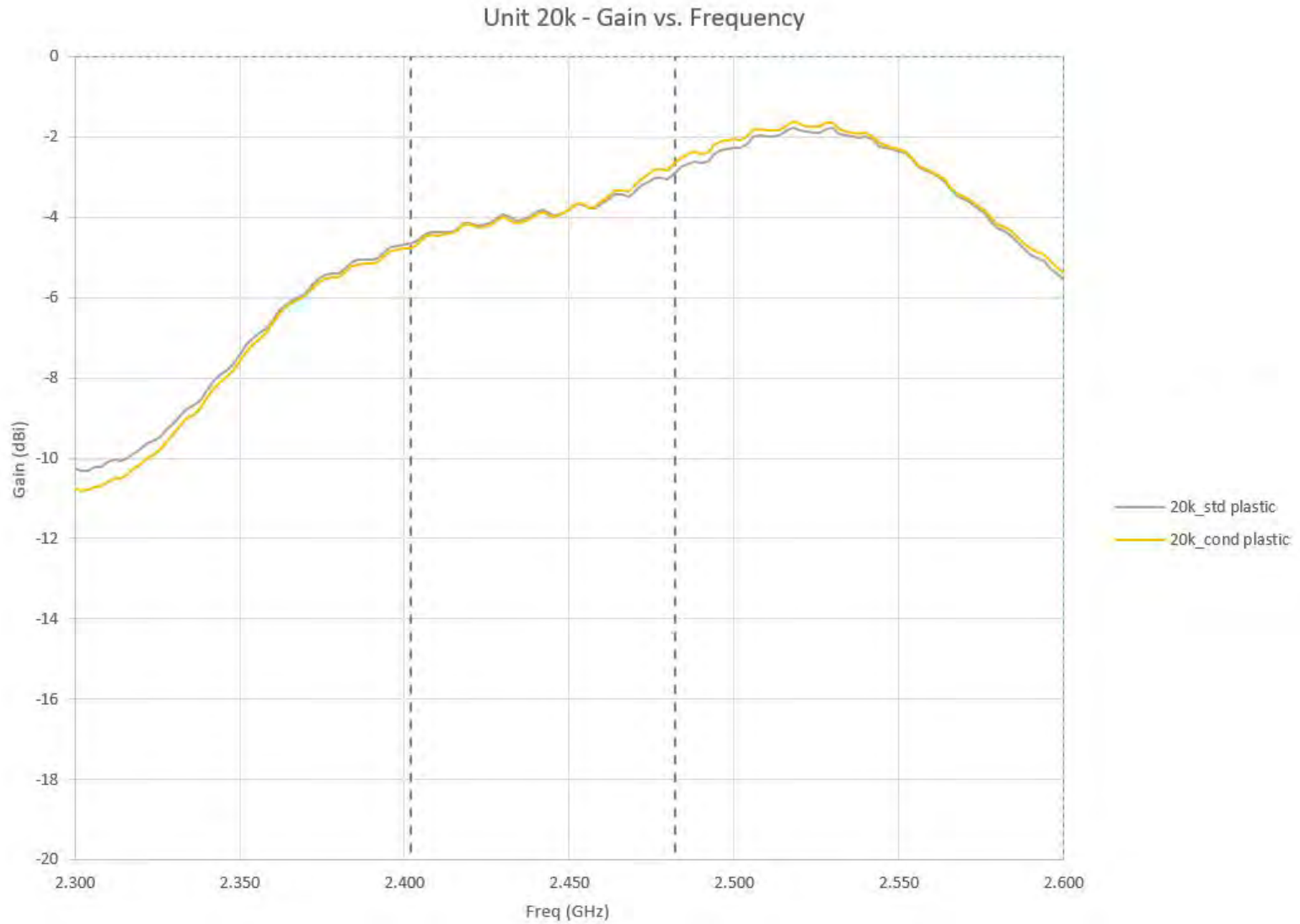


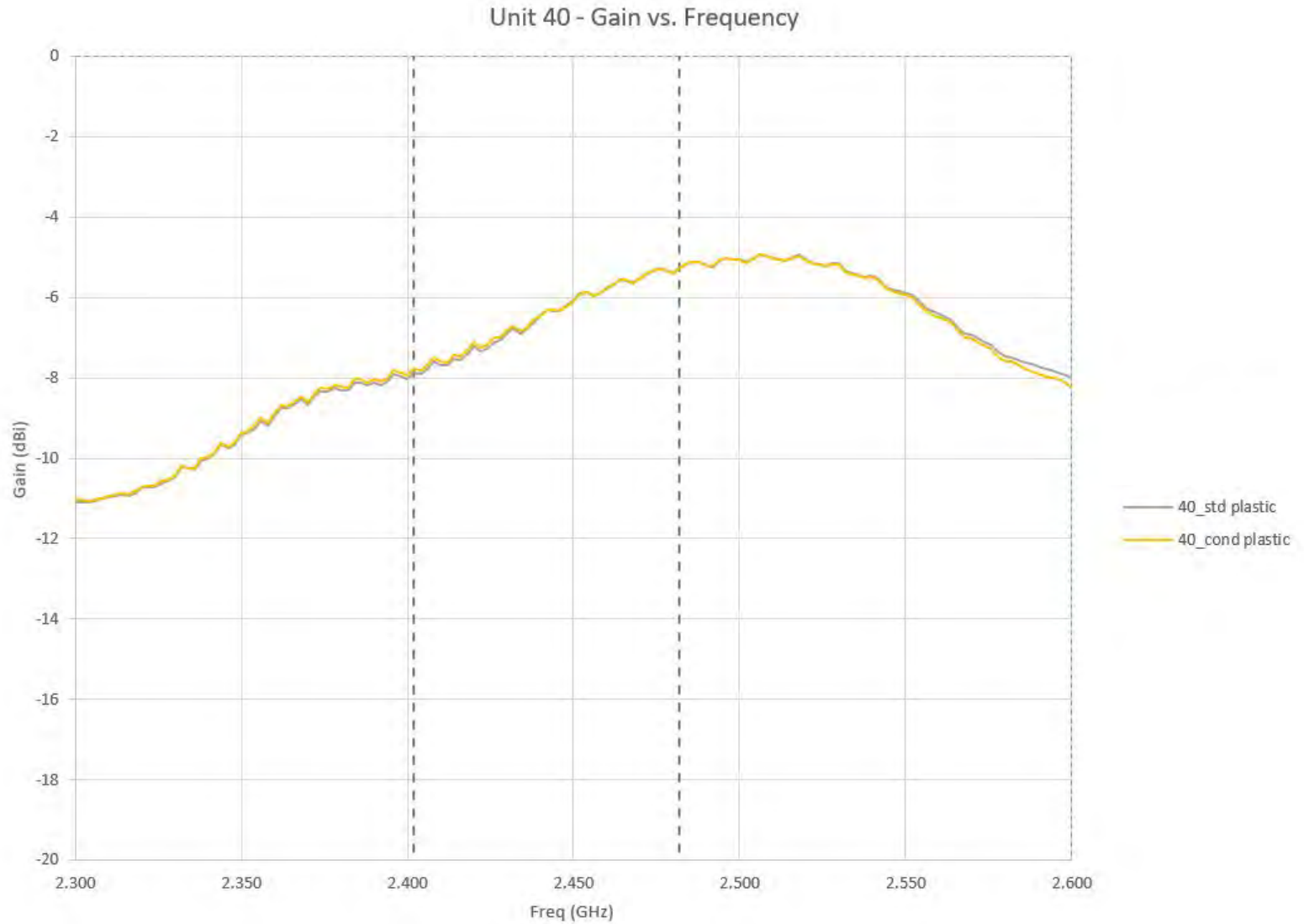


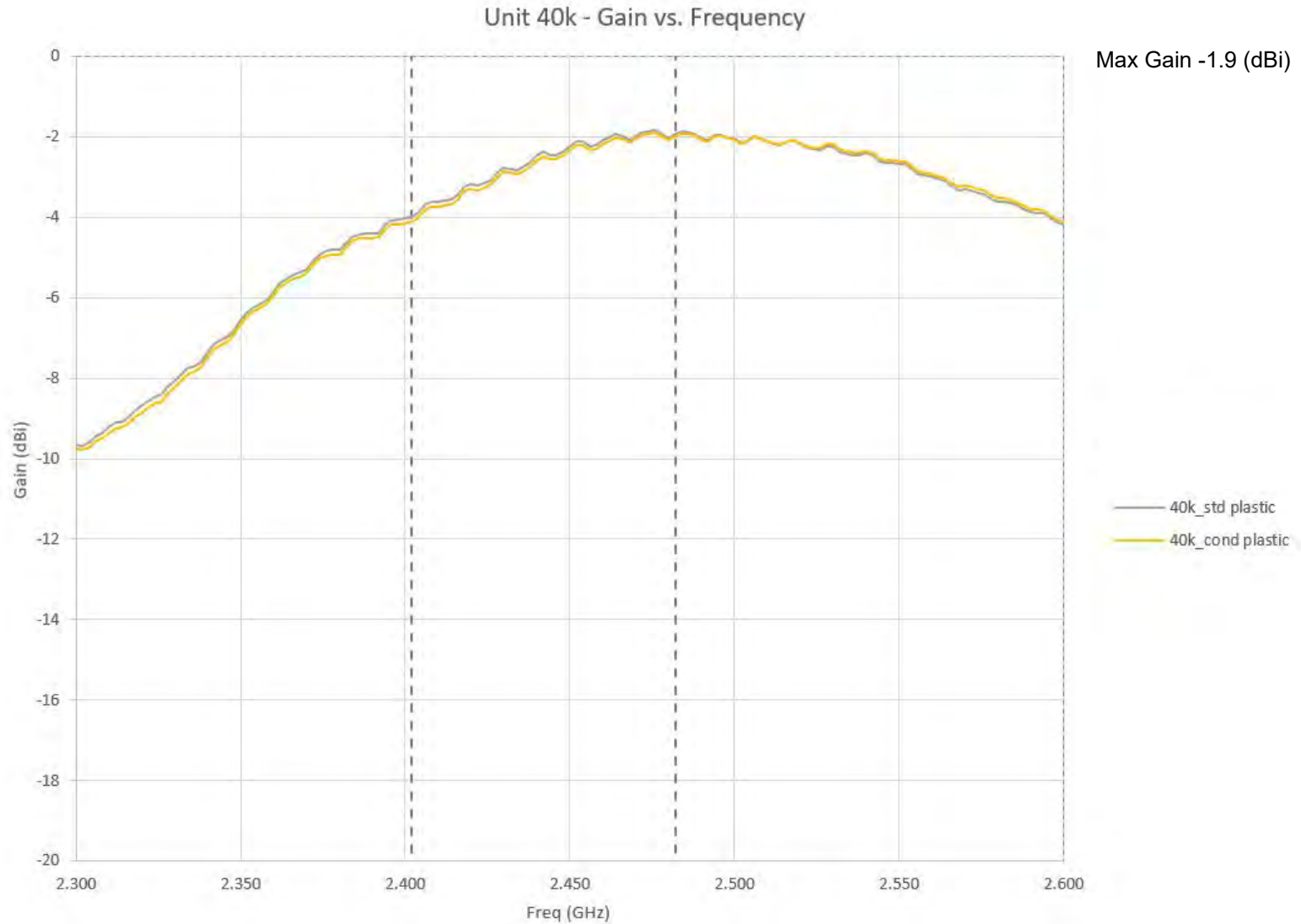


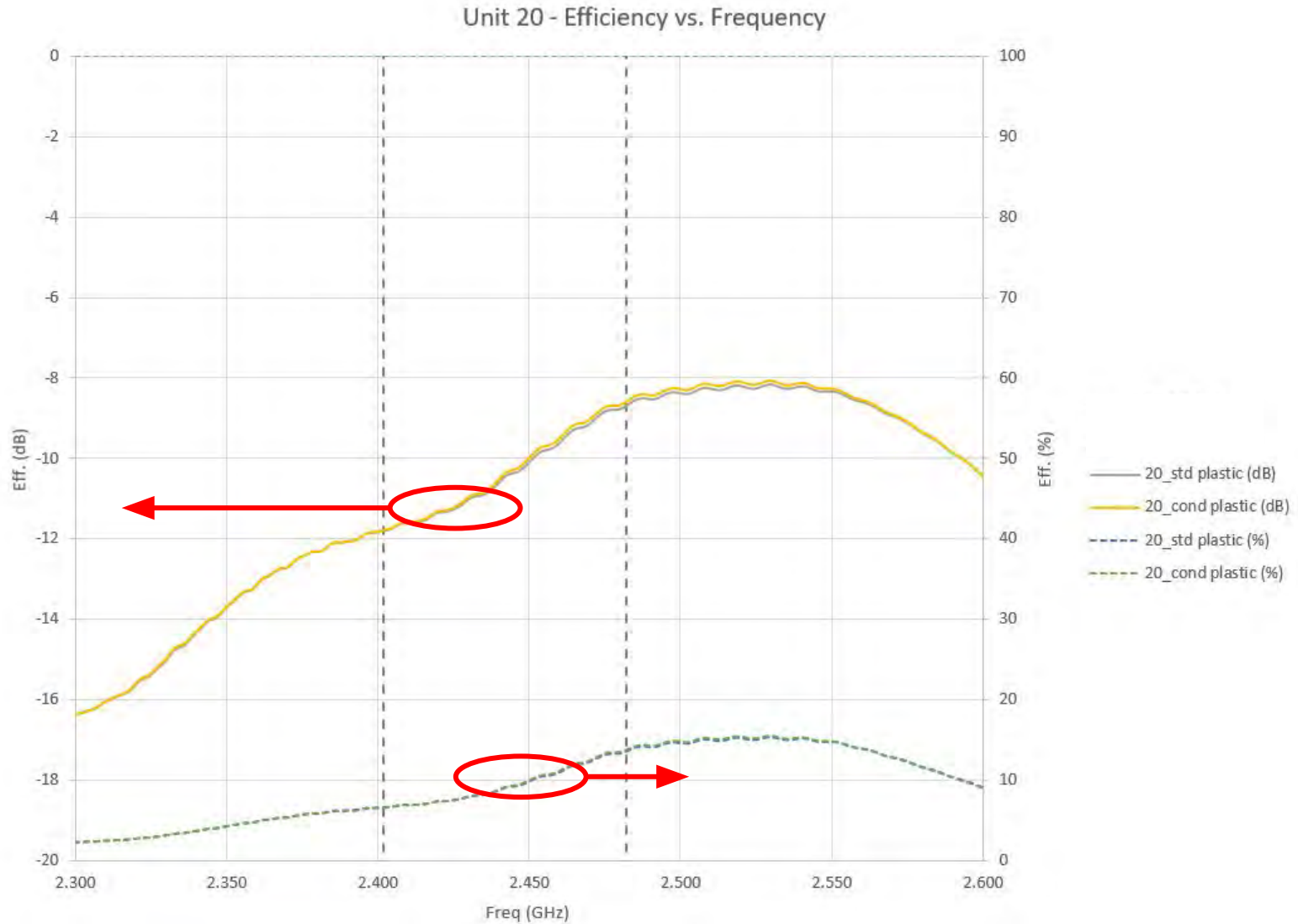




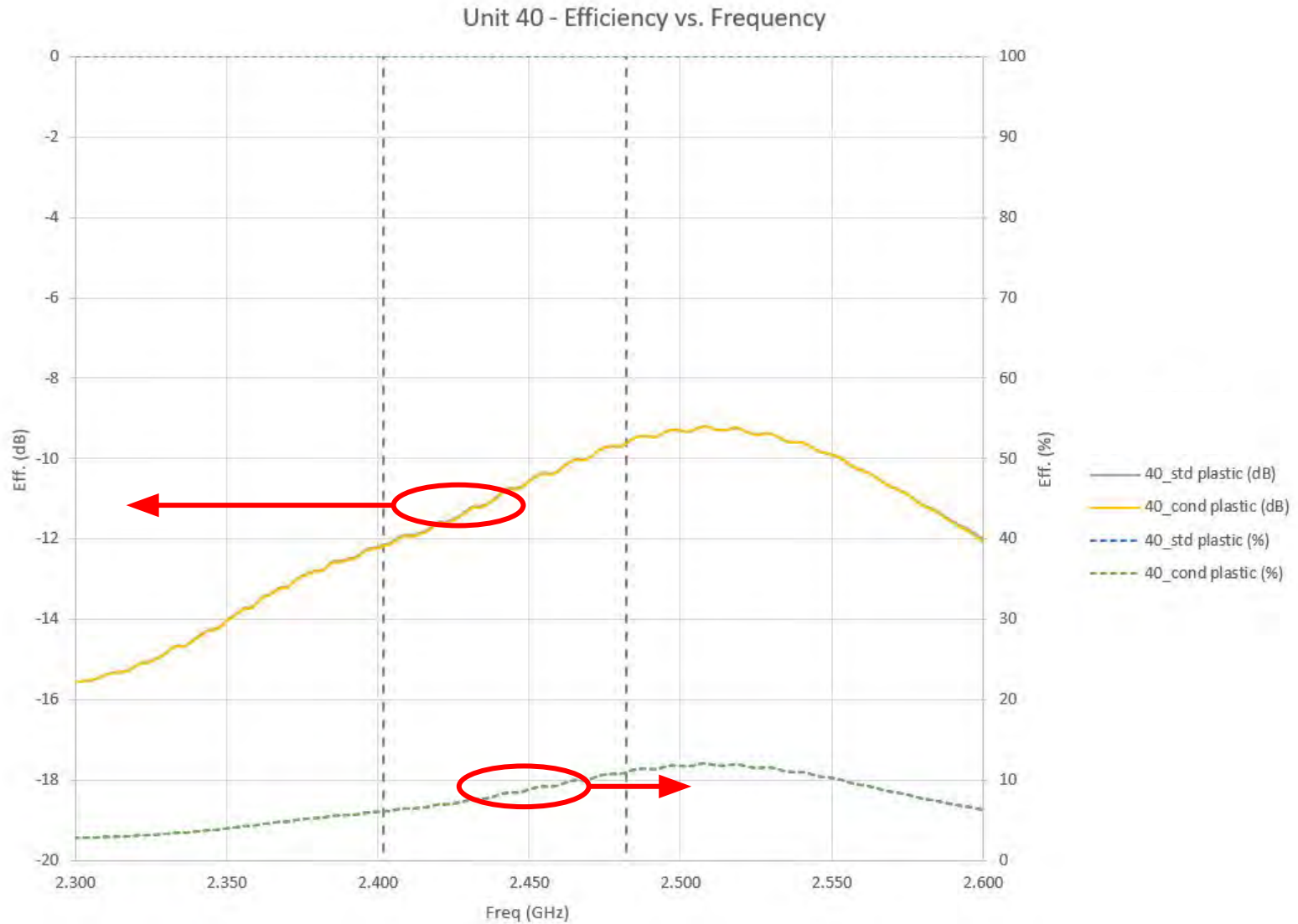


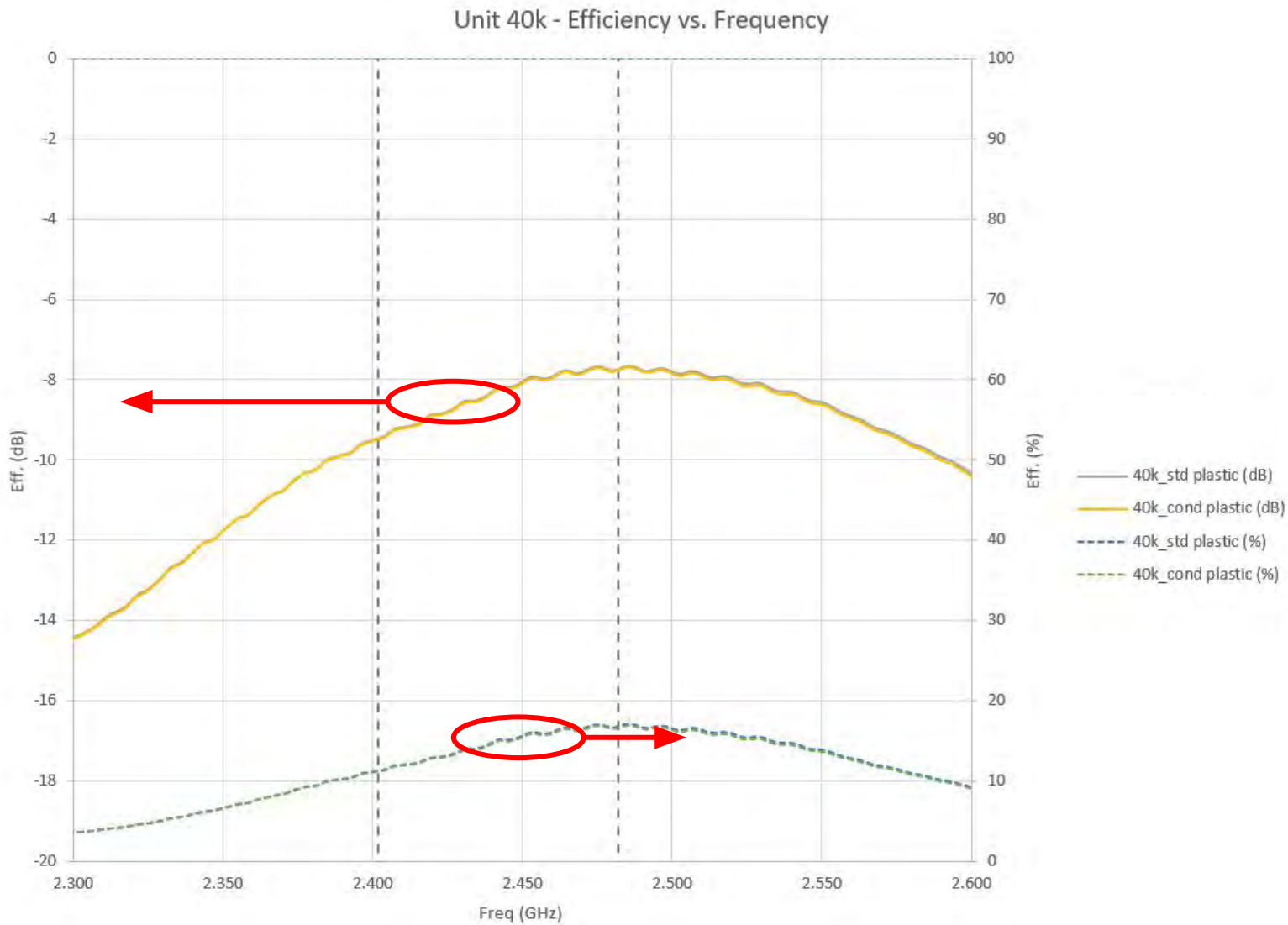


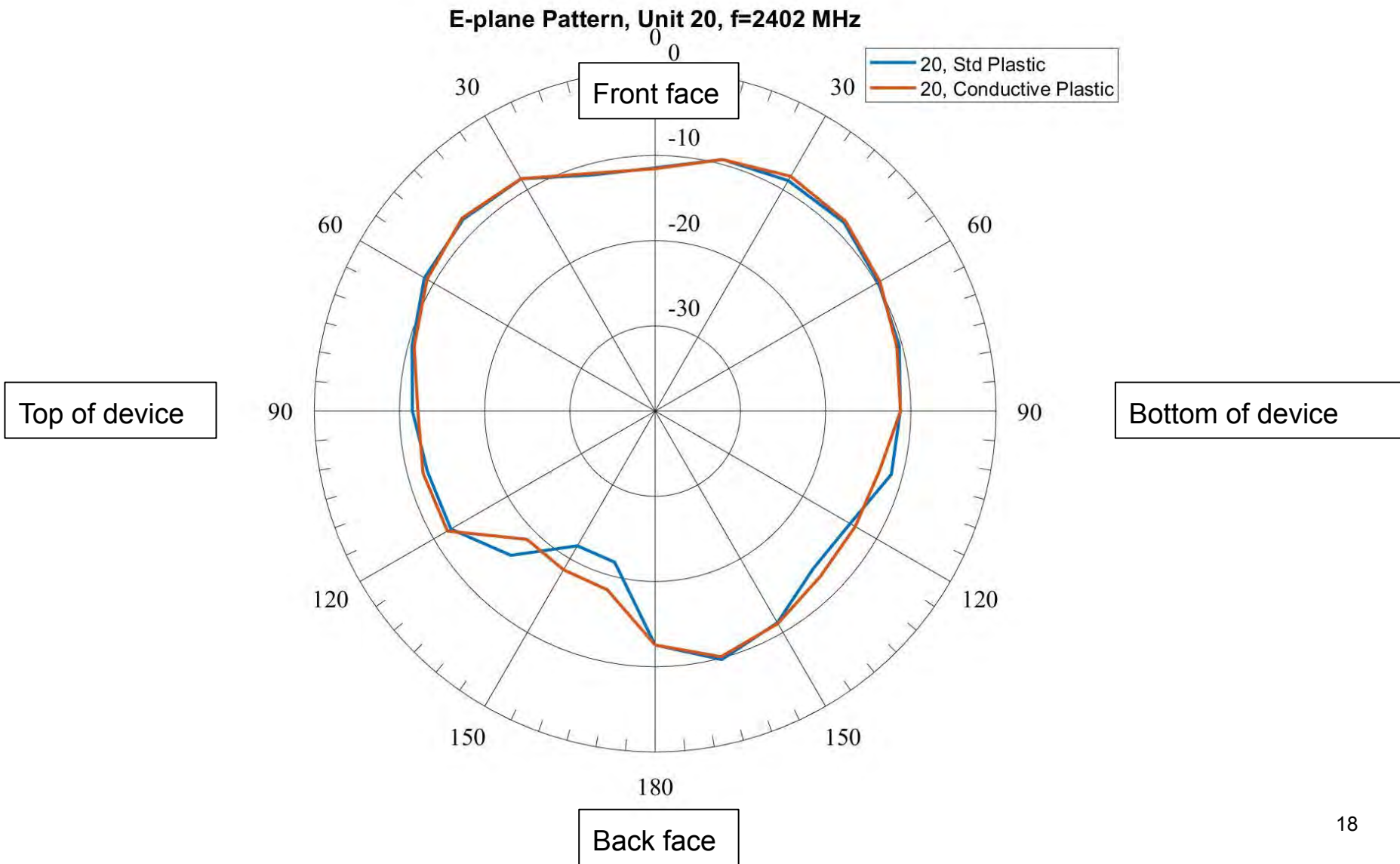




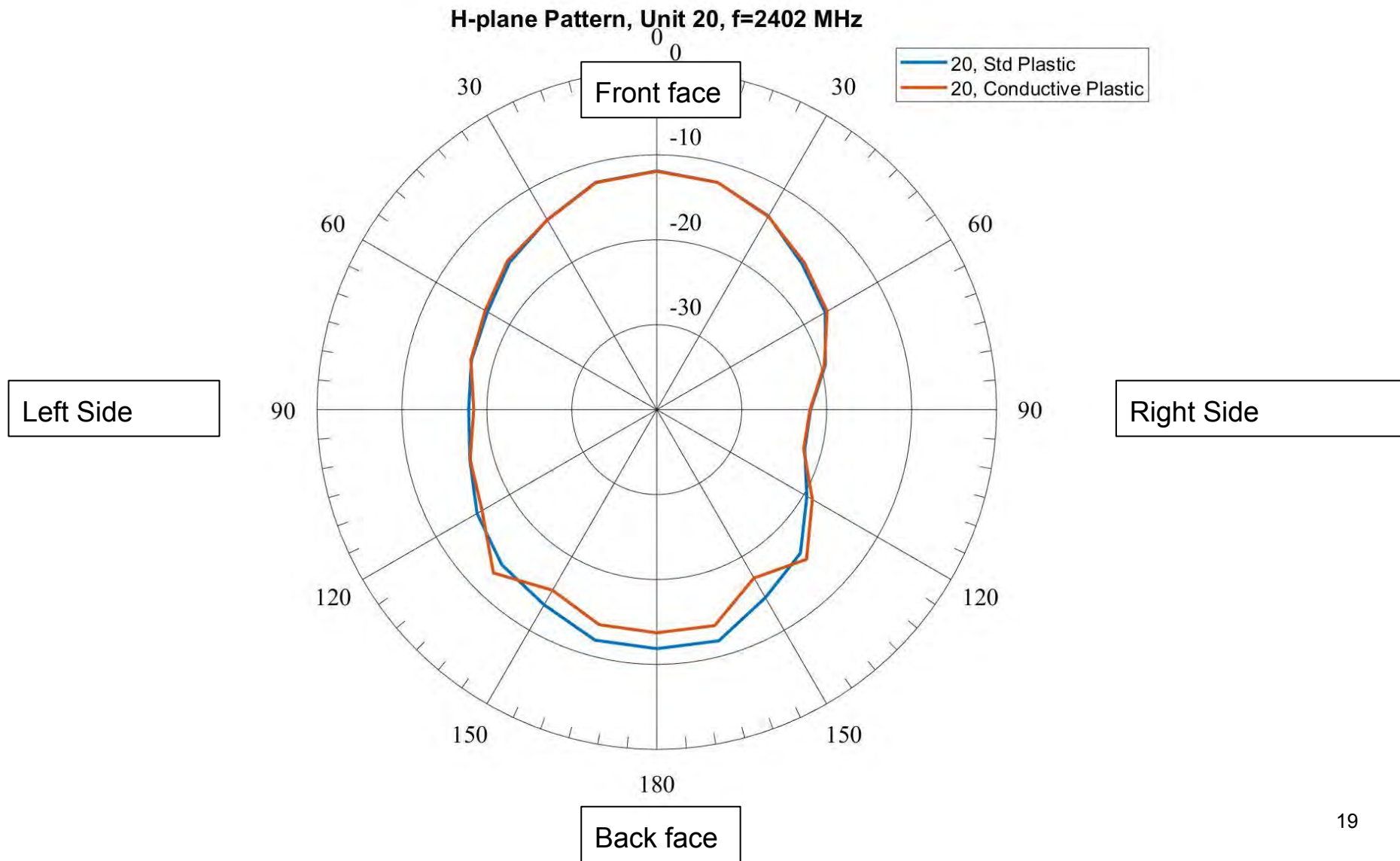


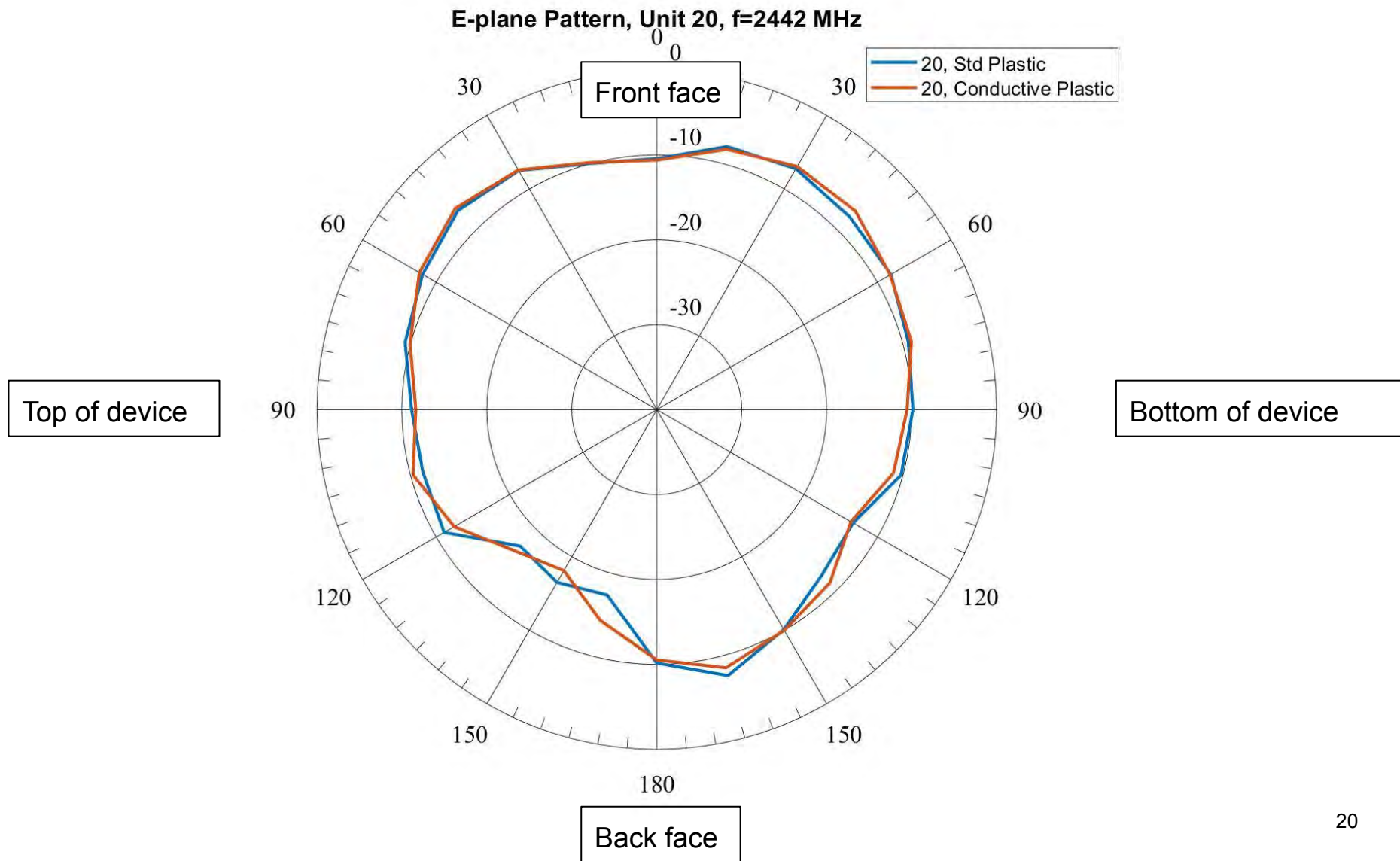


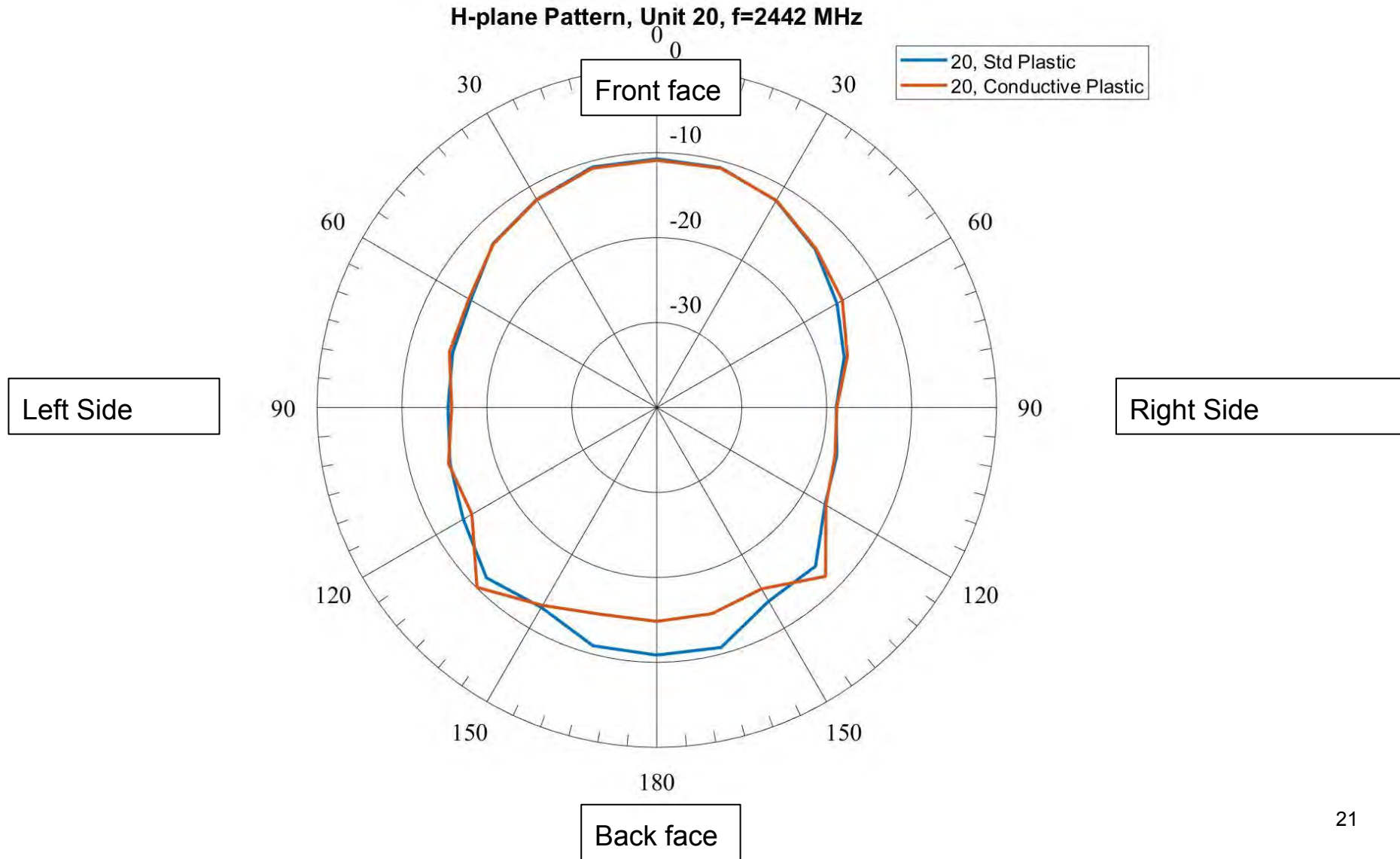


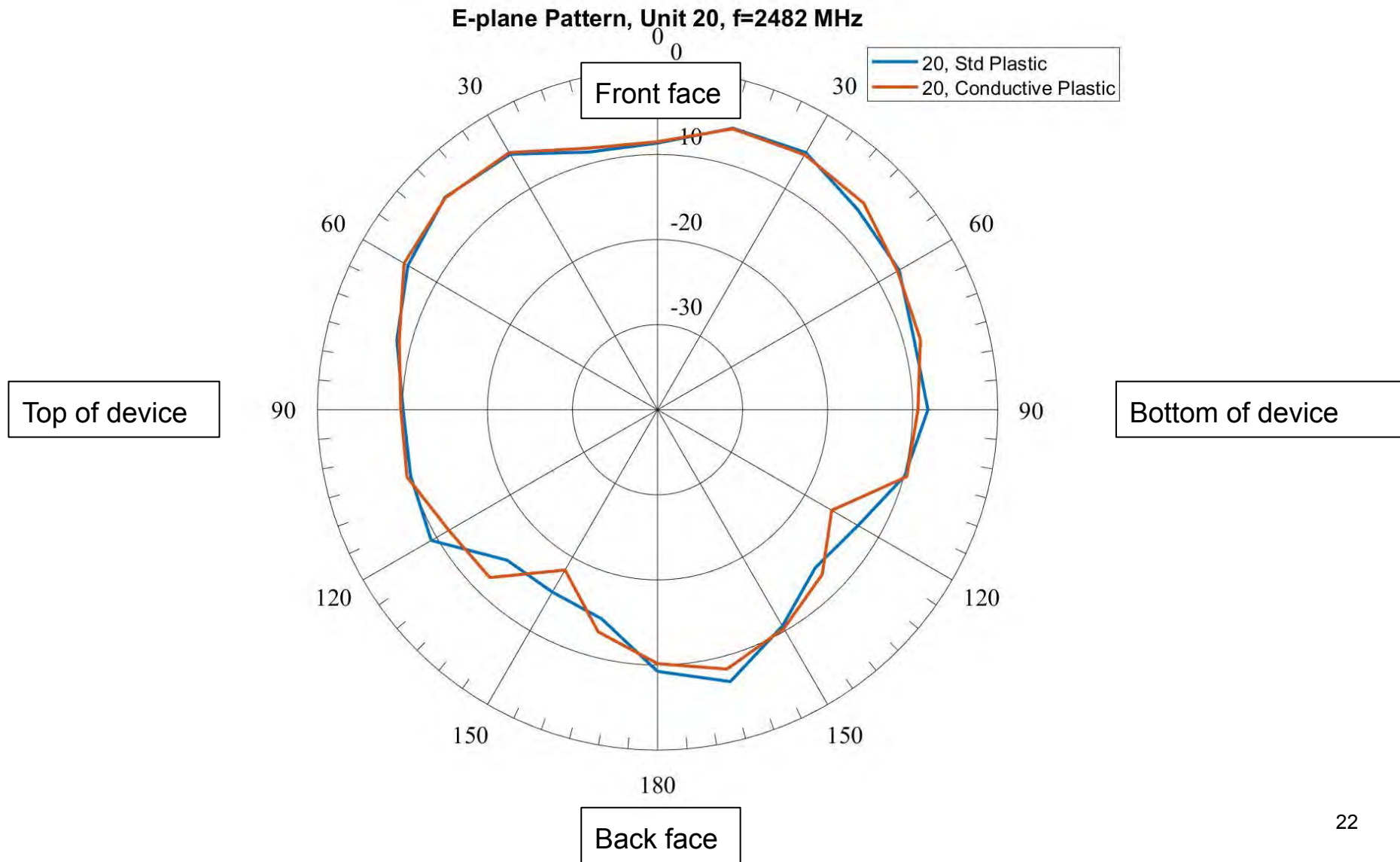


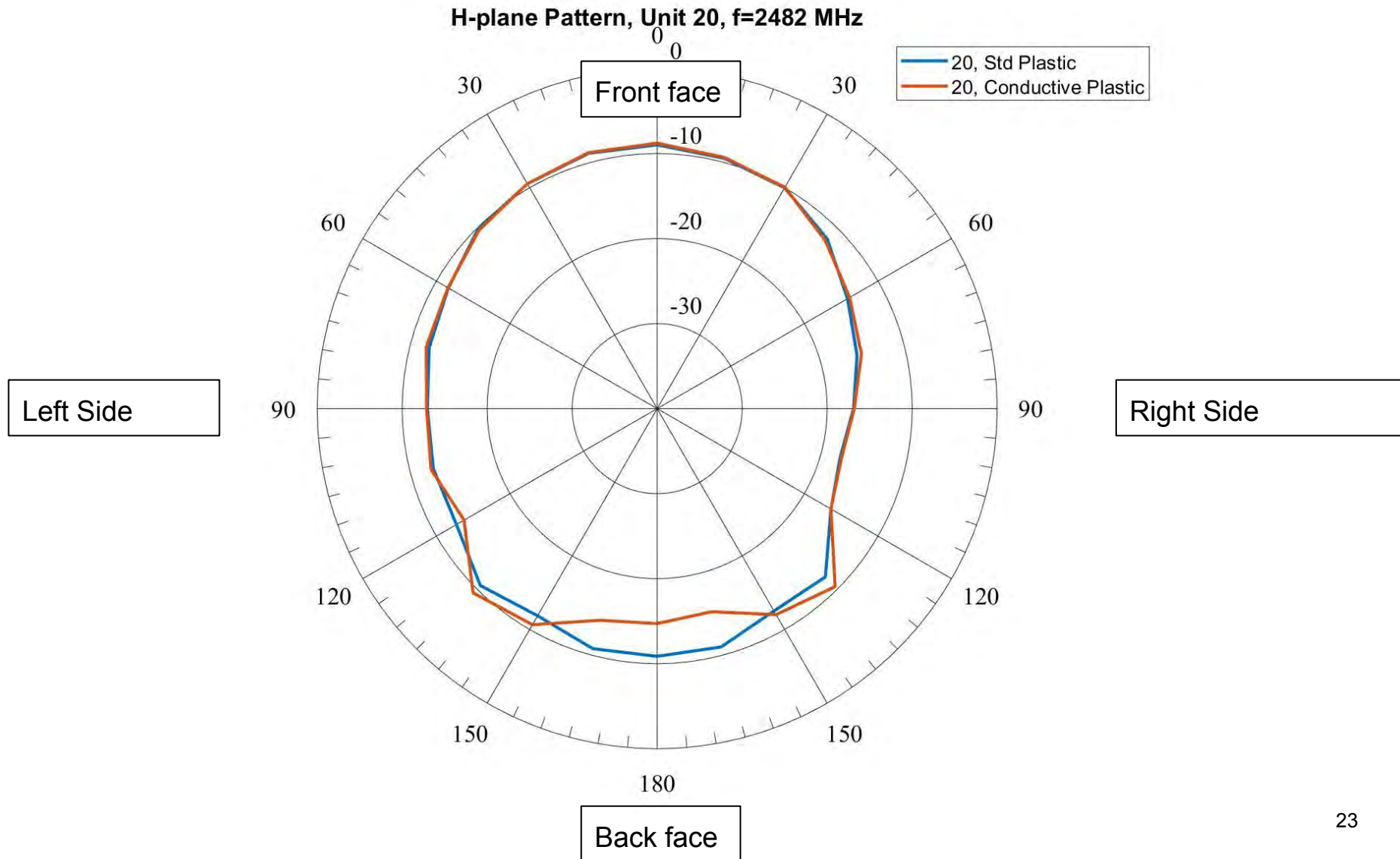
Azimuth / H-Plane; Unit 20; Low Channel



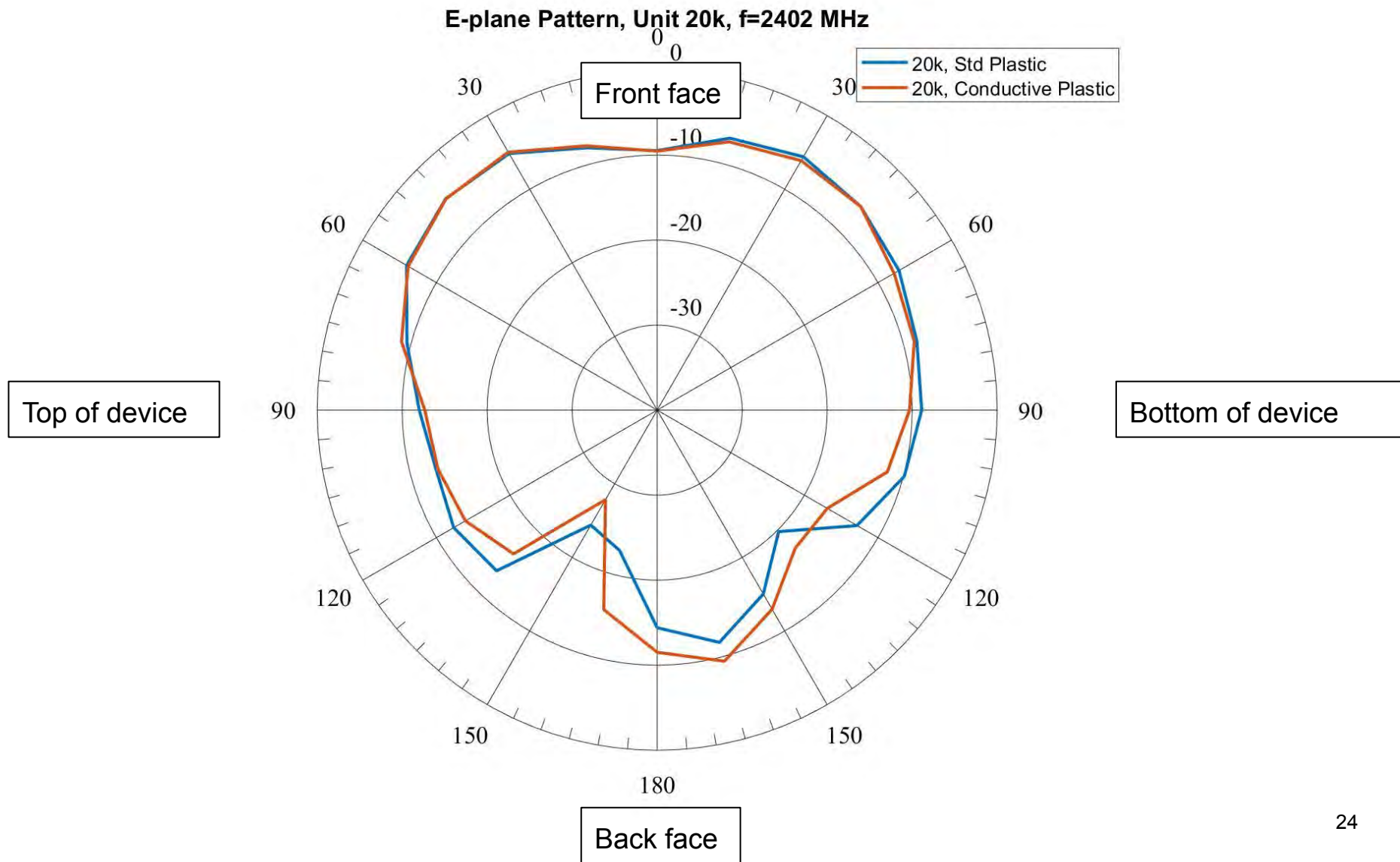


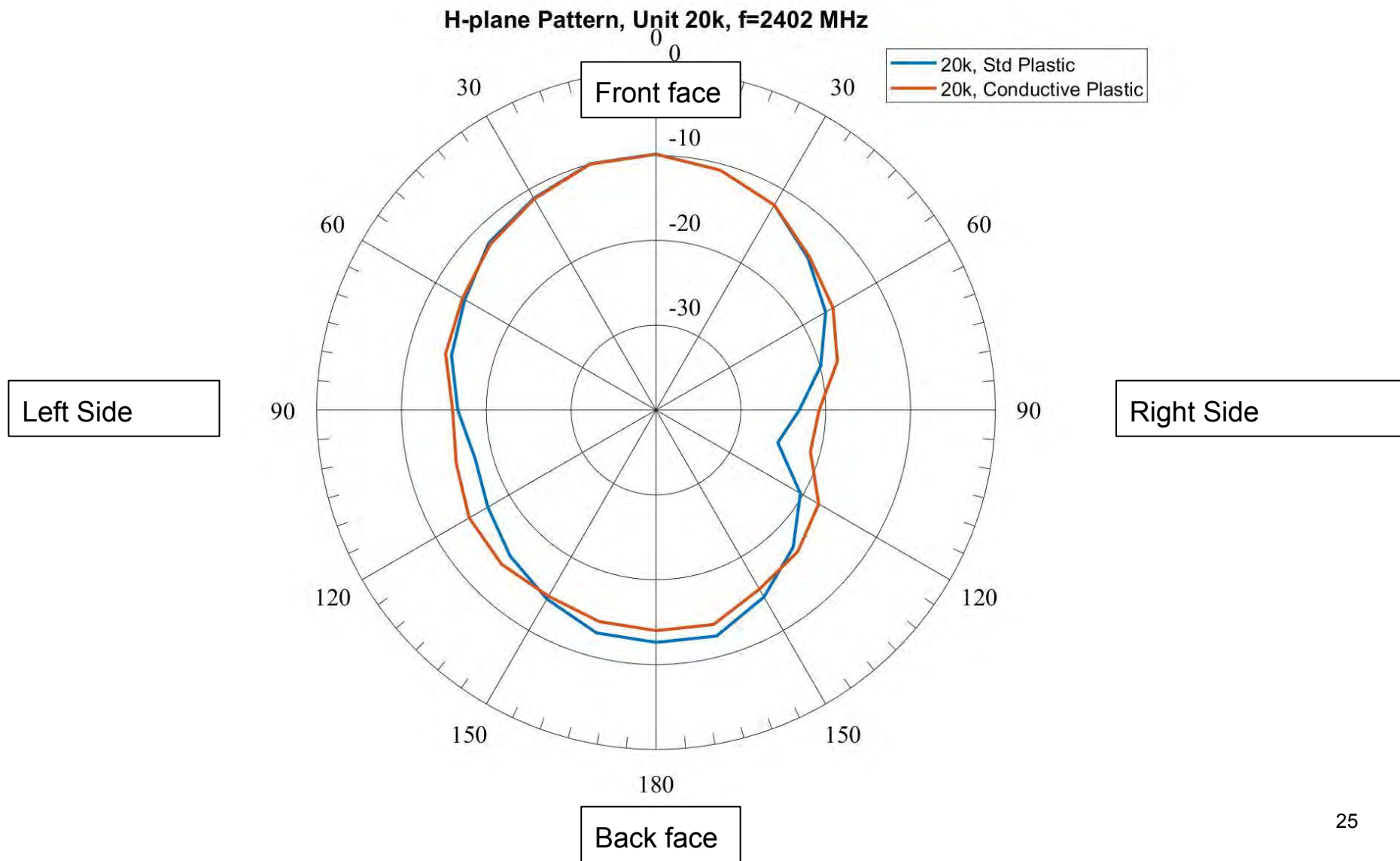


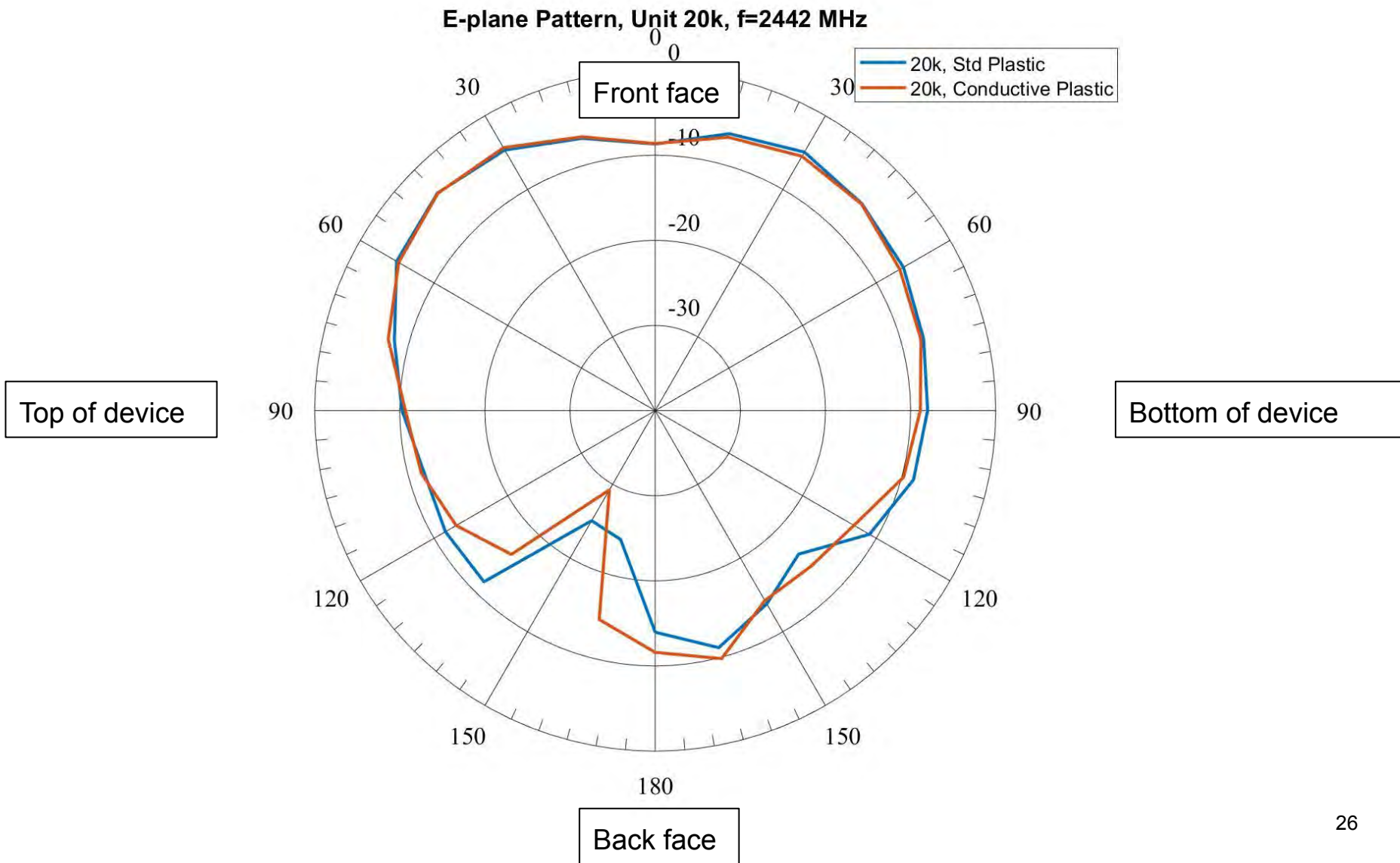


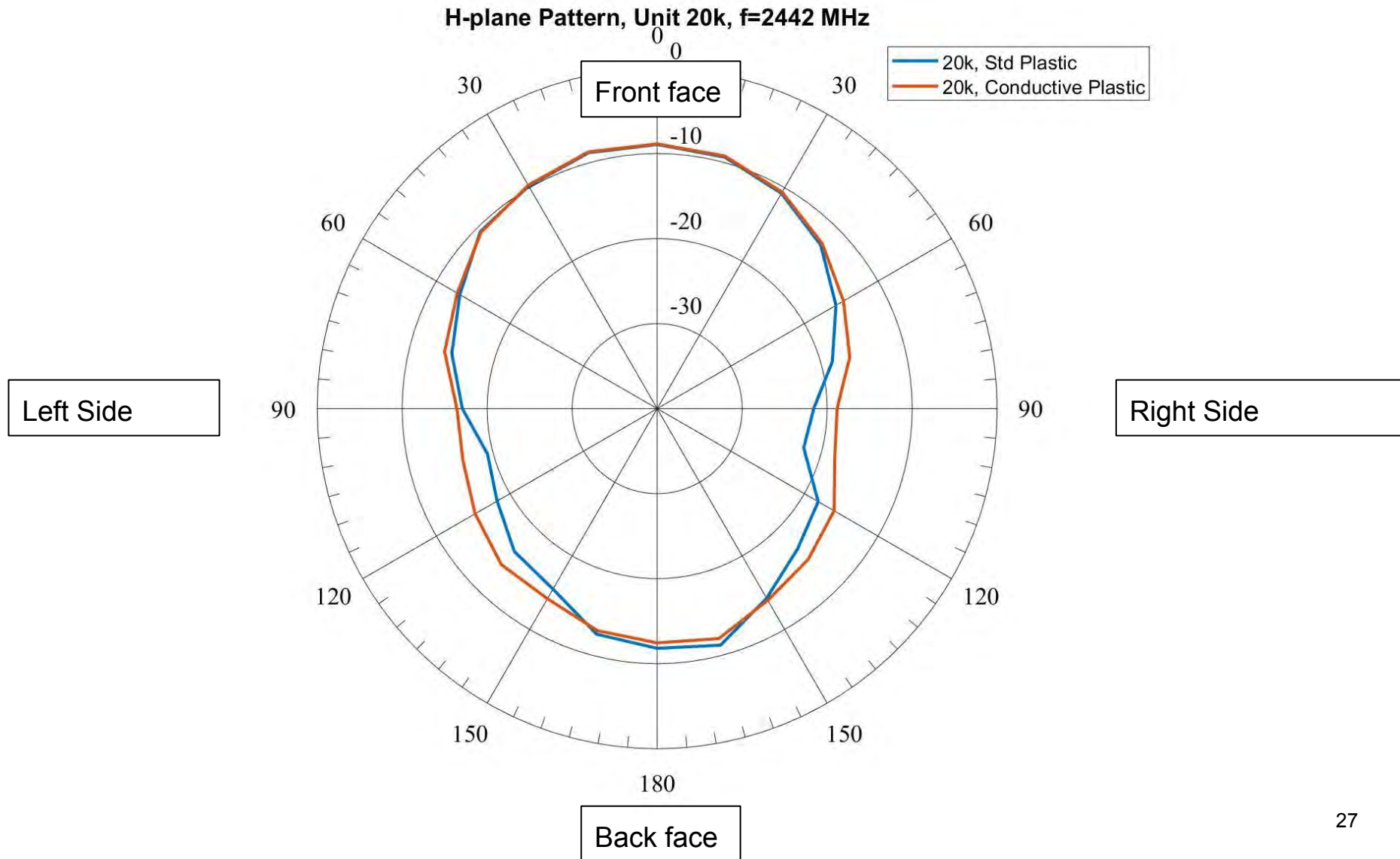


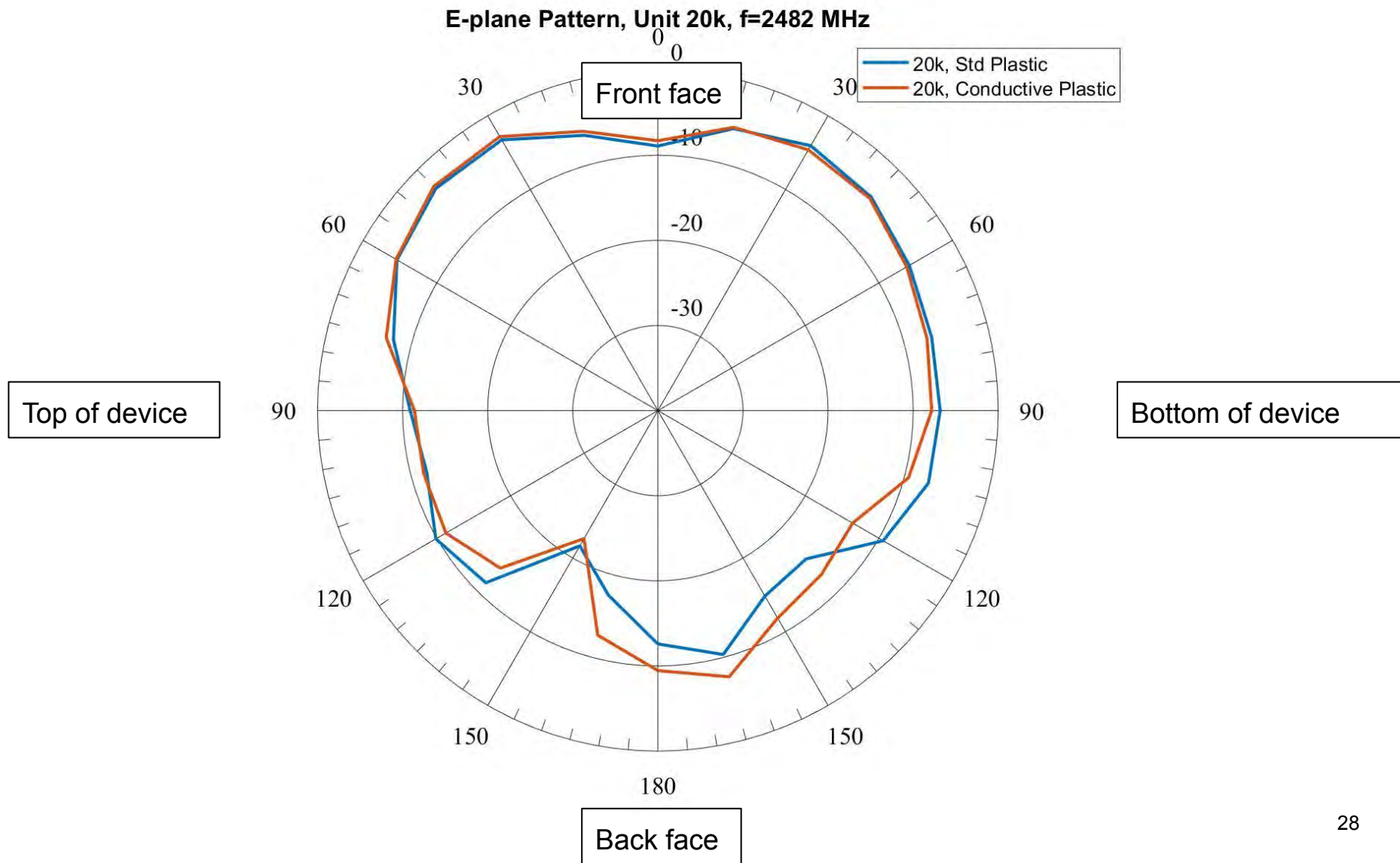
Elevation / E-Plane; Unit 20k; Low Channel

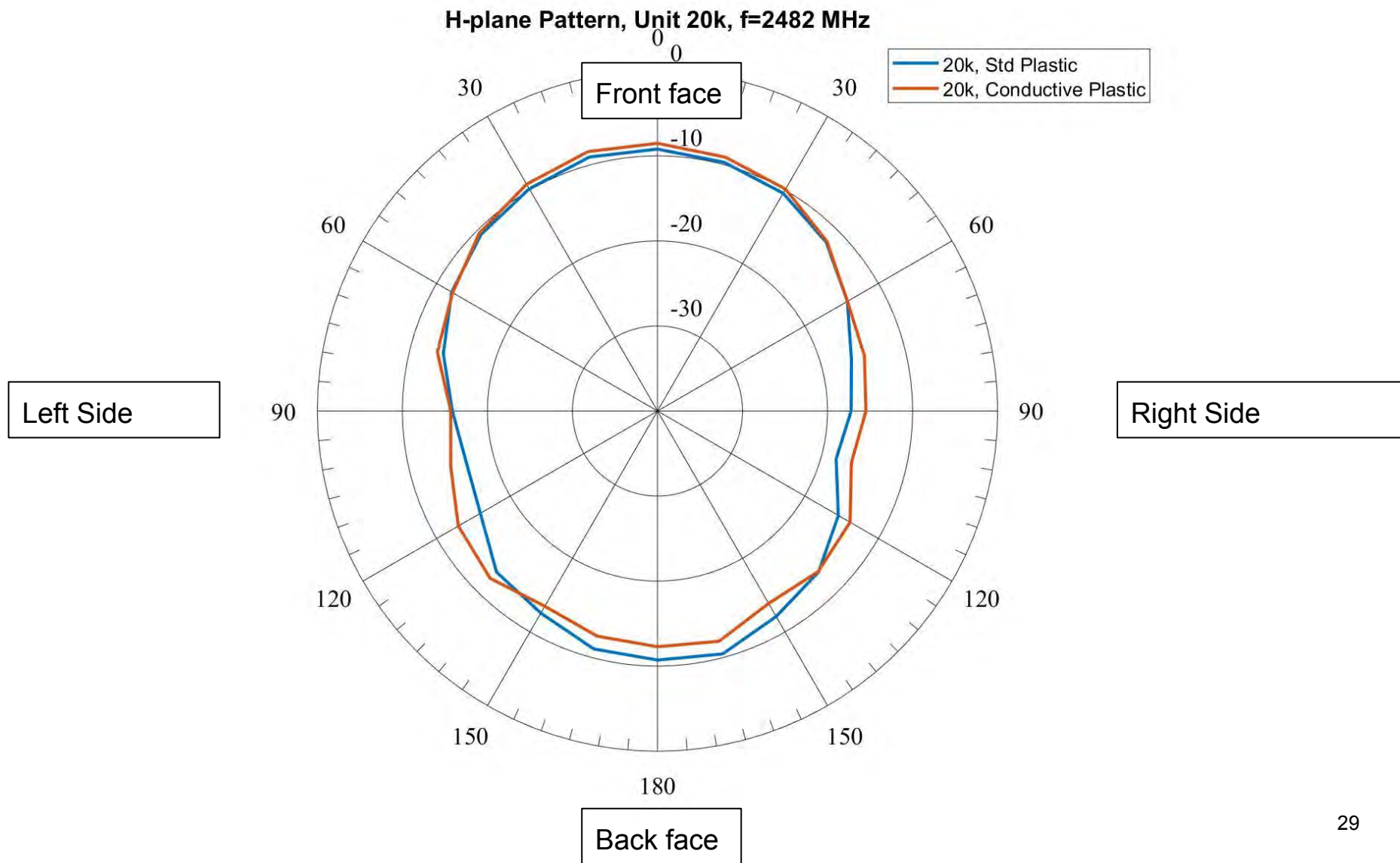


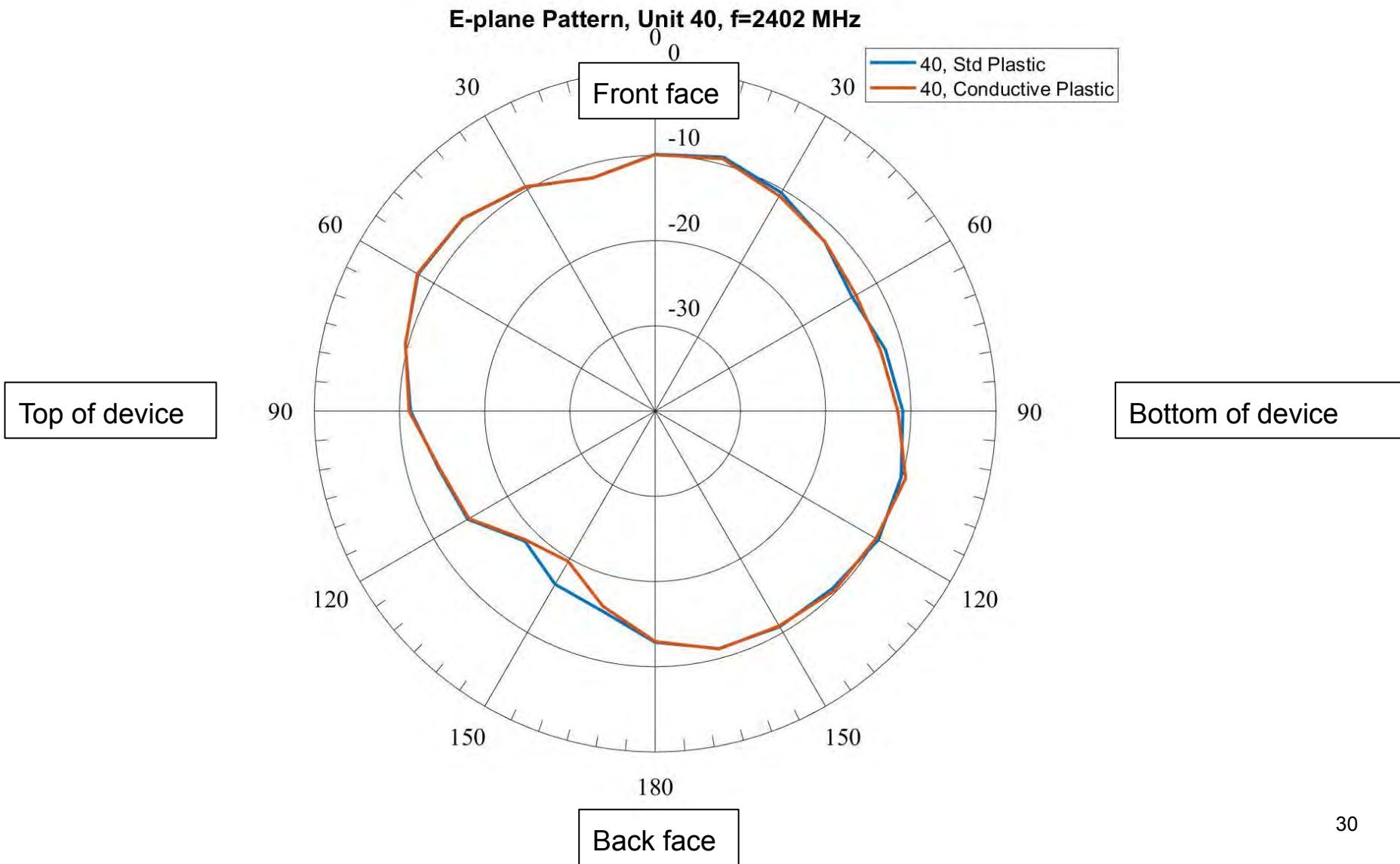


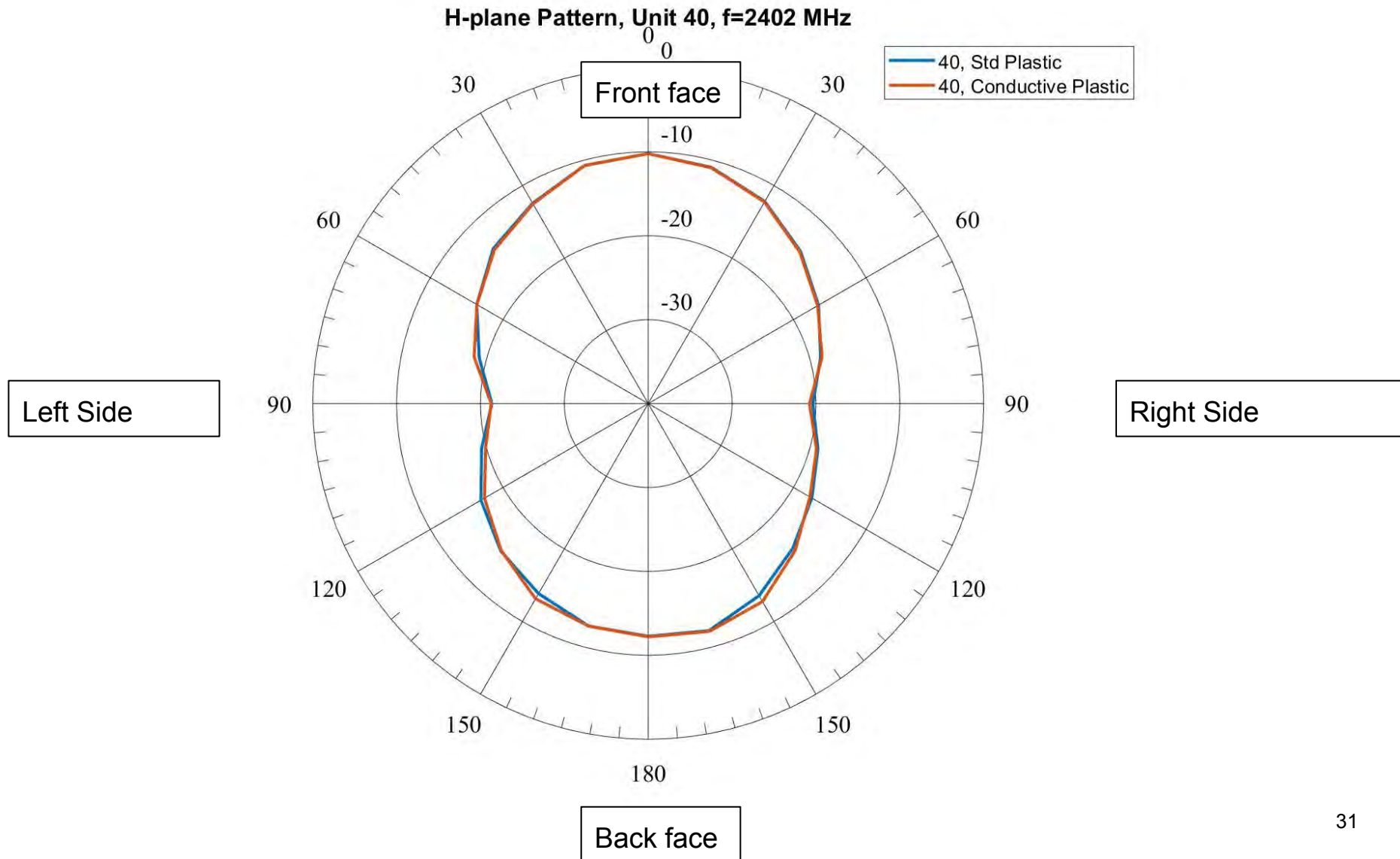


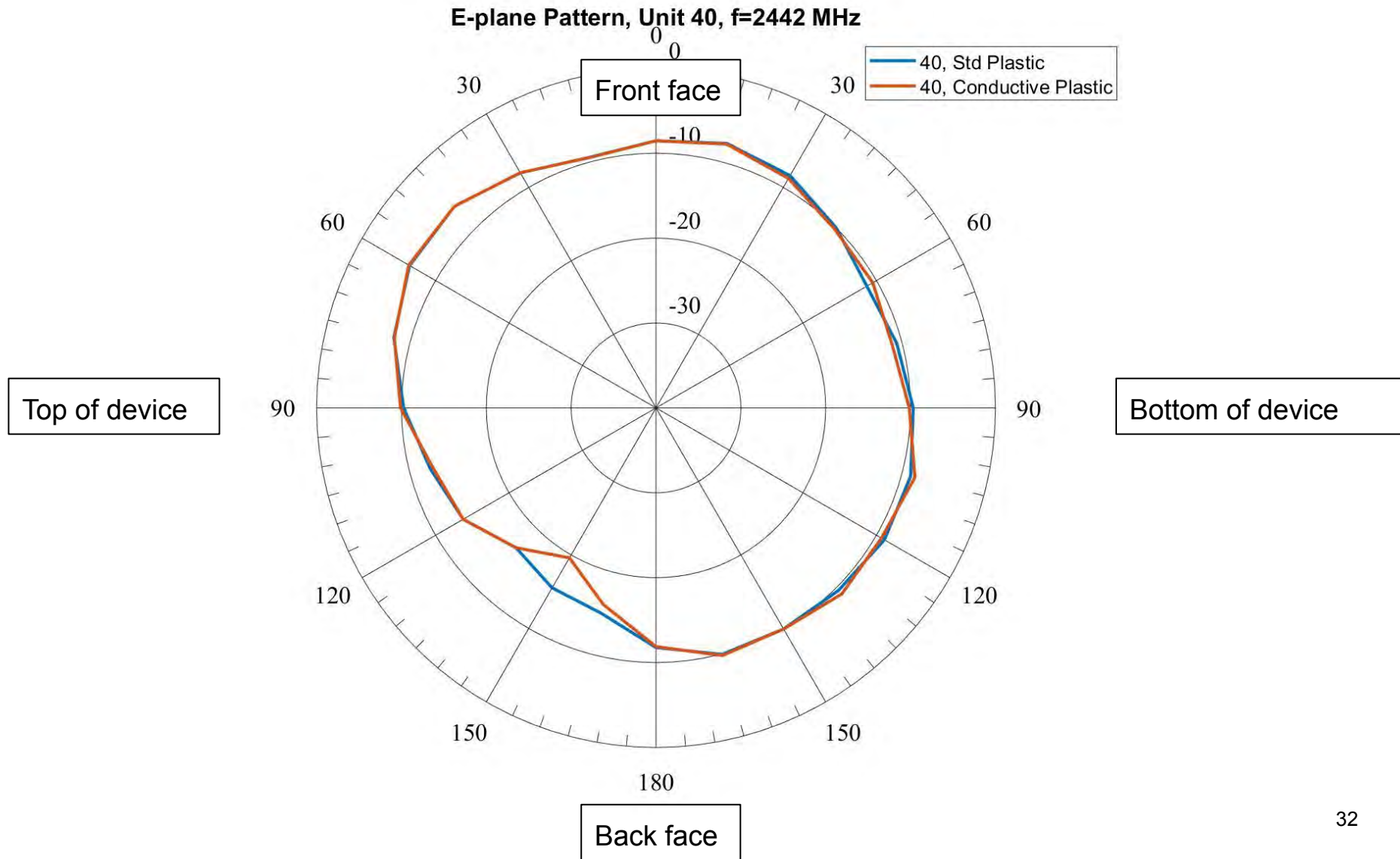




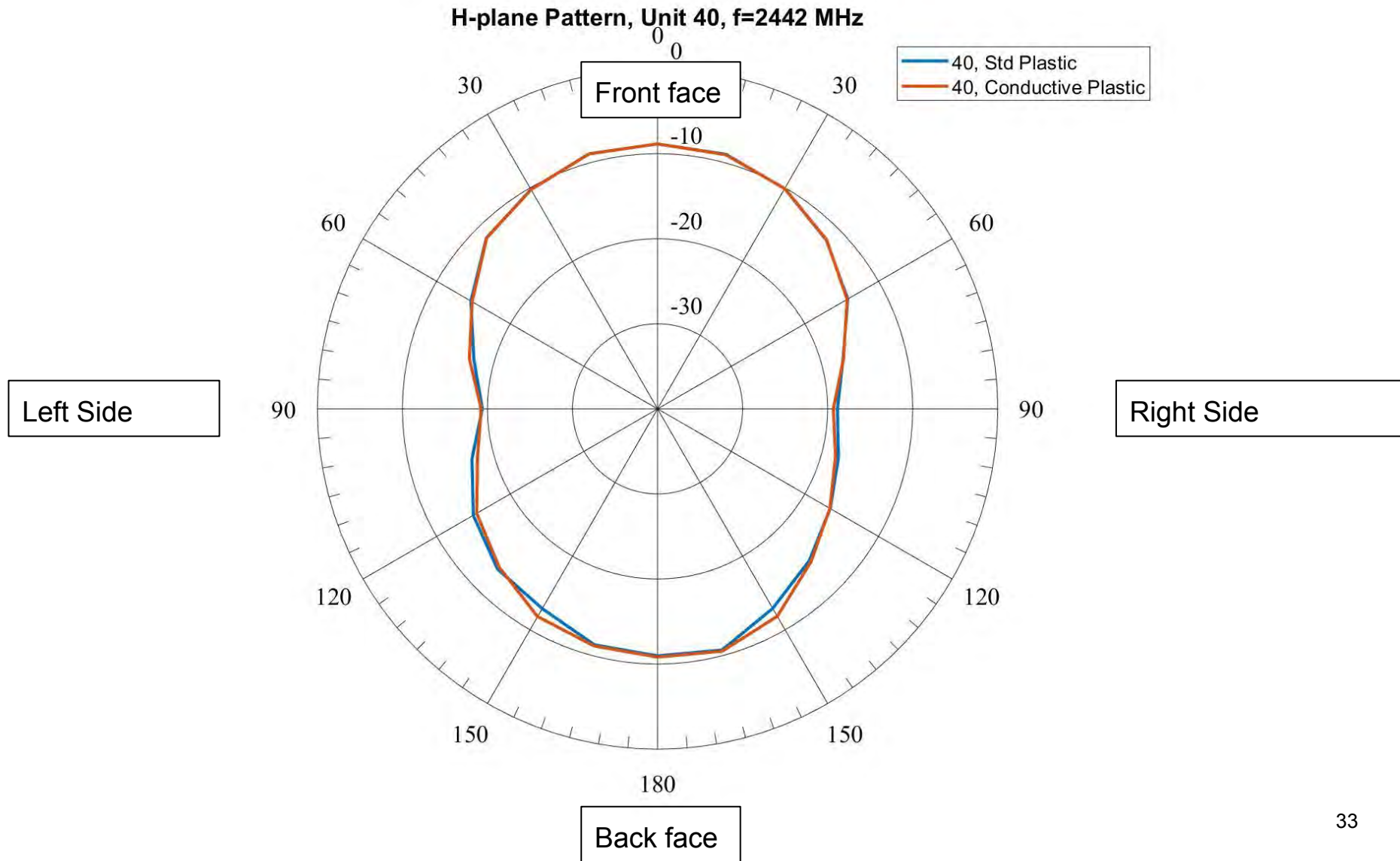


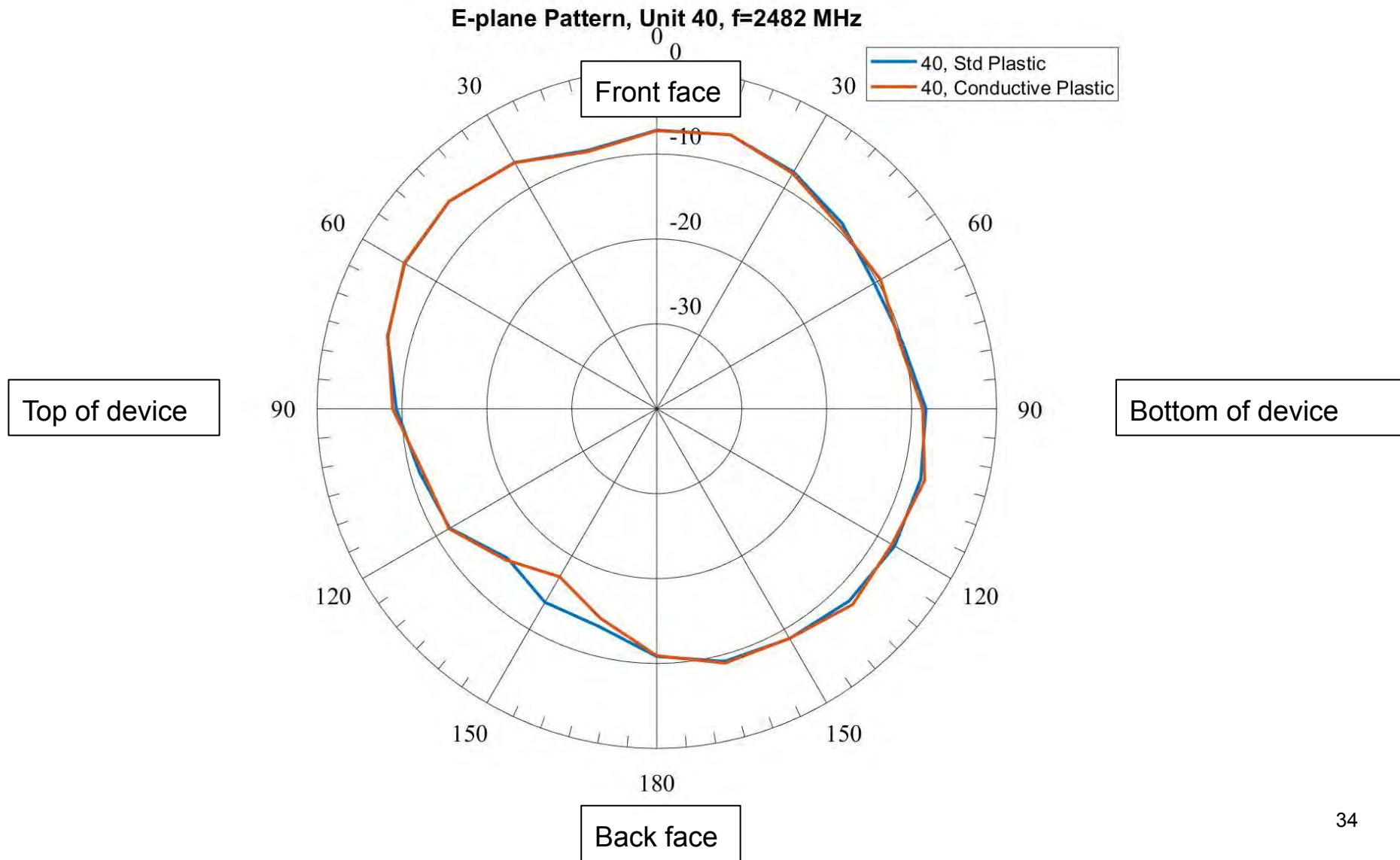


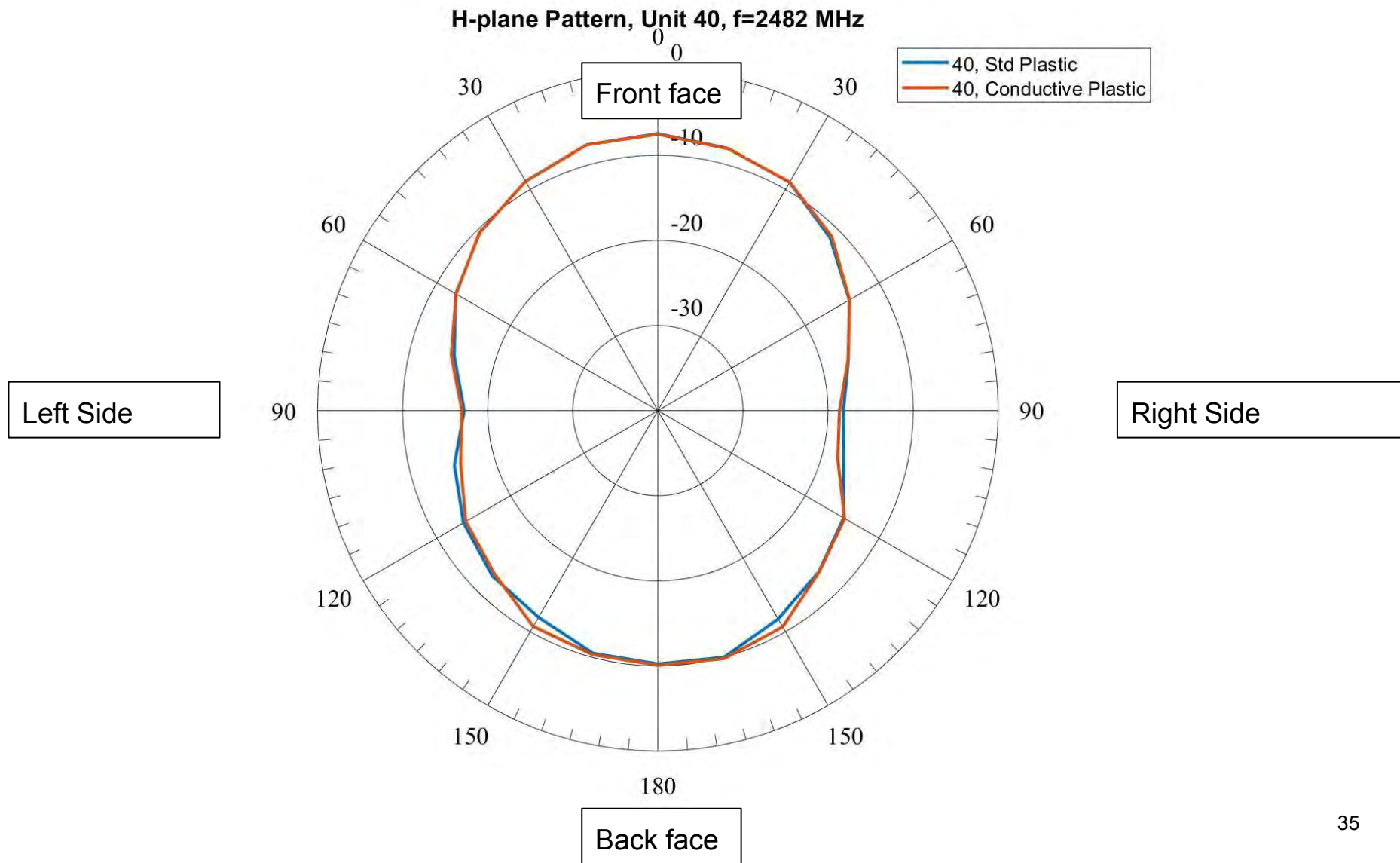




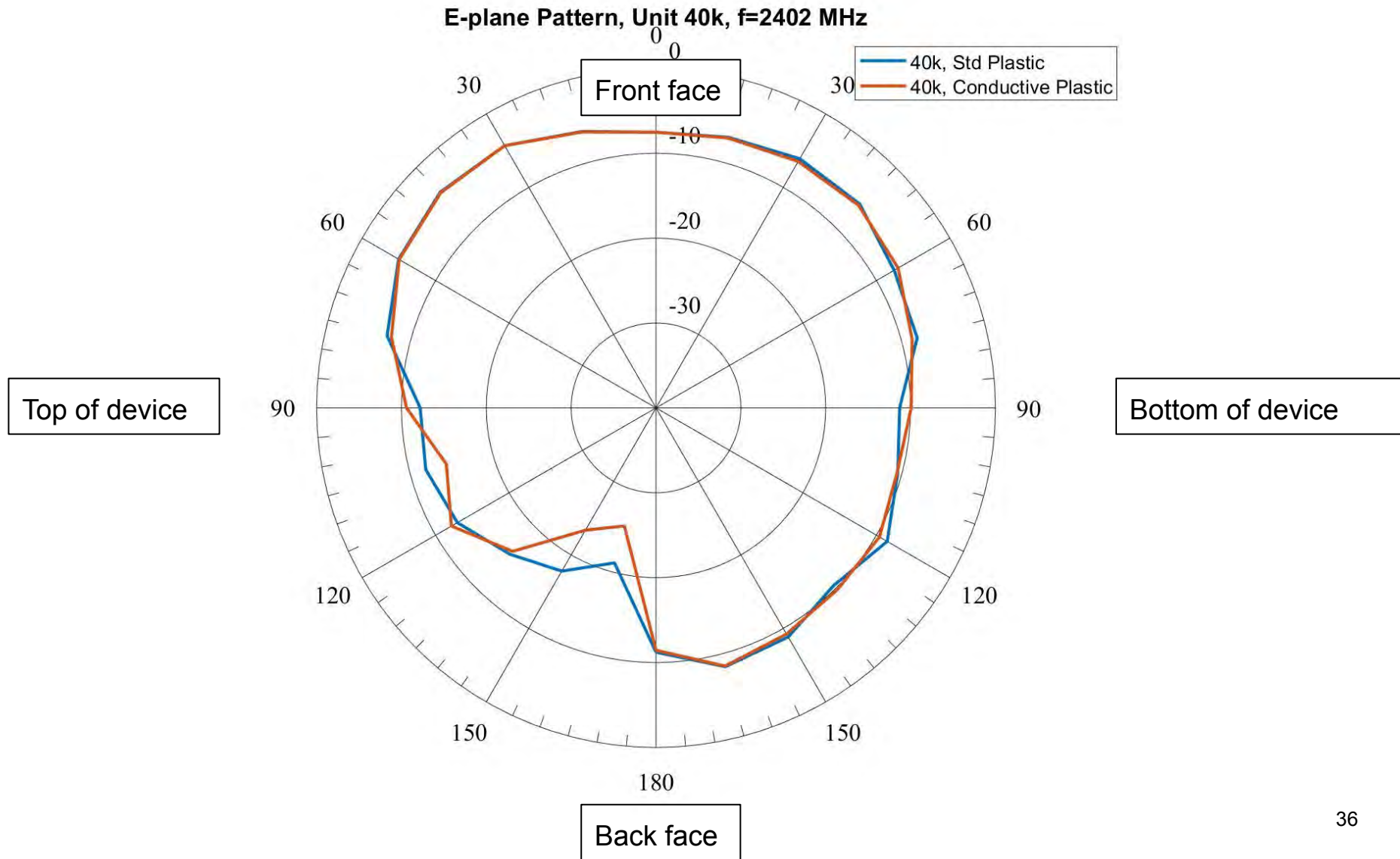
Azimuth / H-Plane; Unit 40; Mid Channel

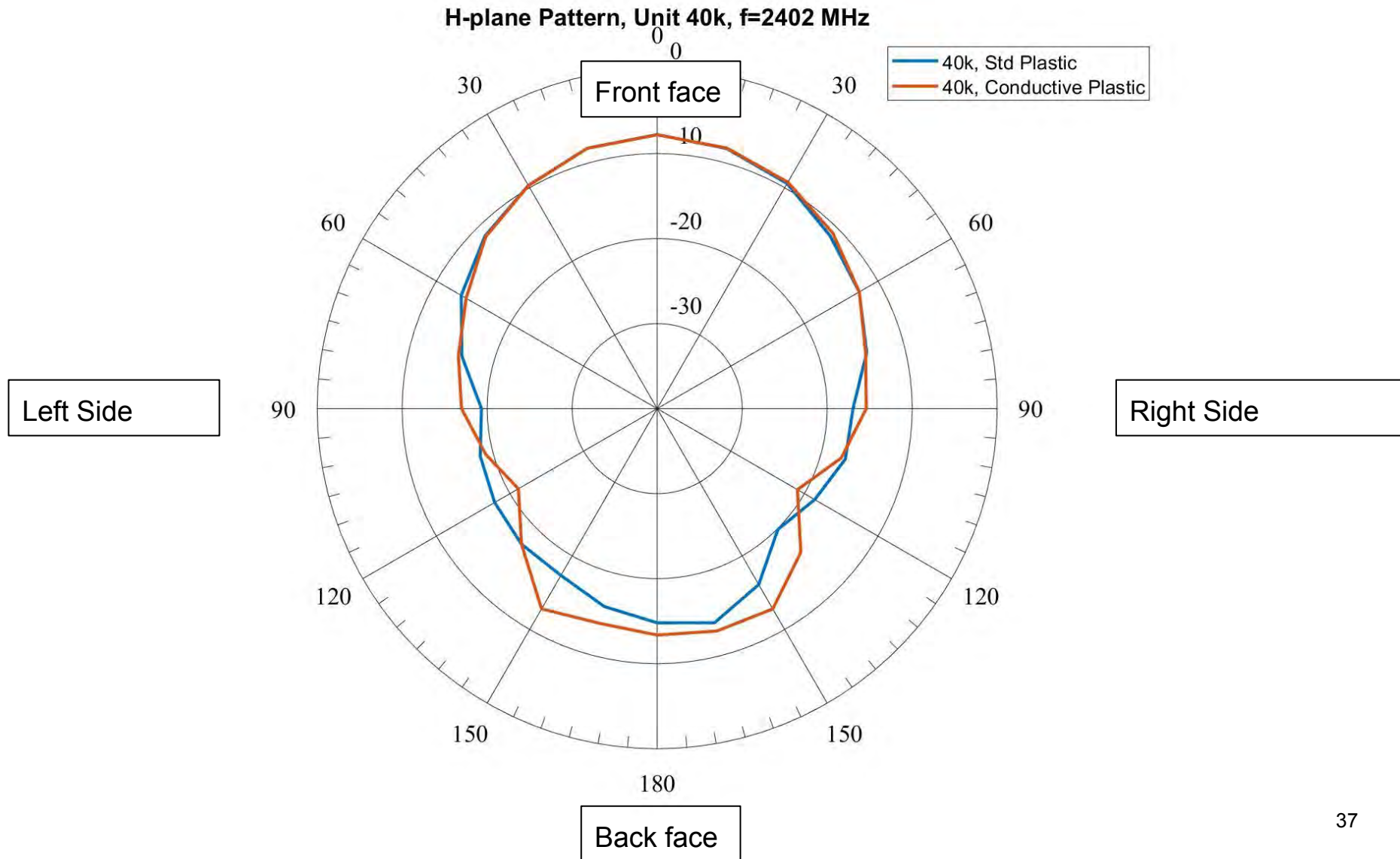


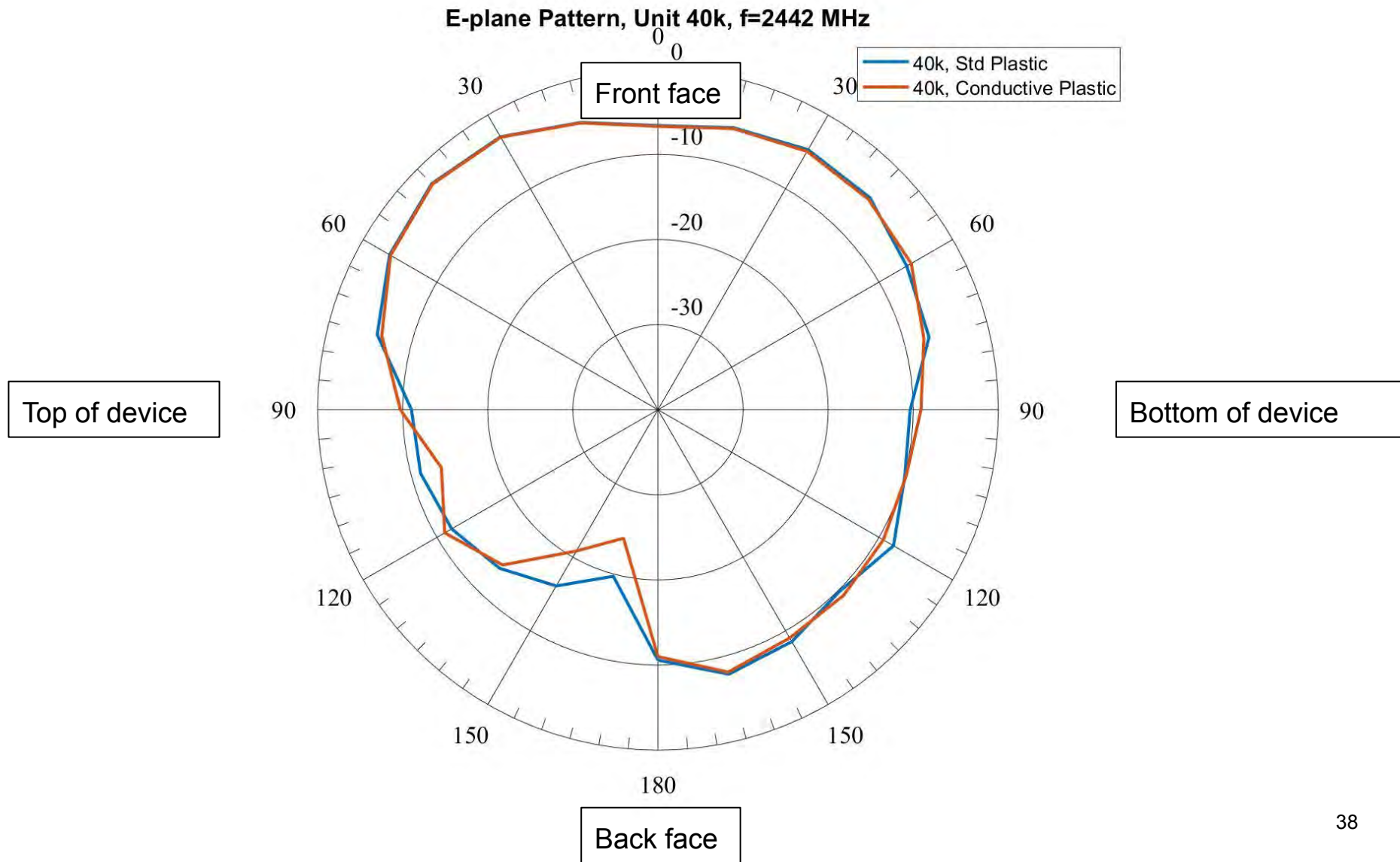


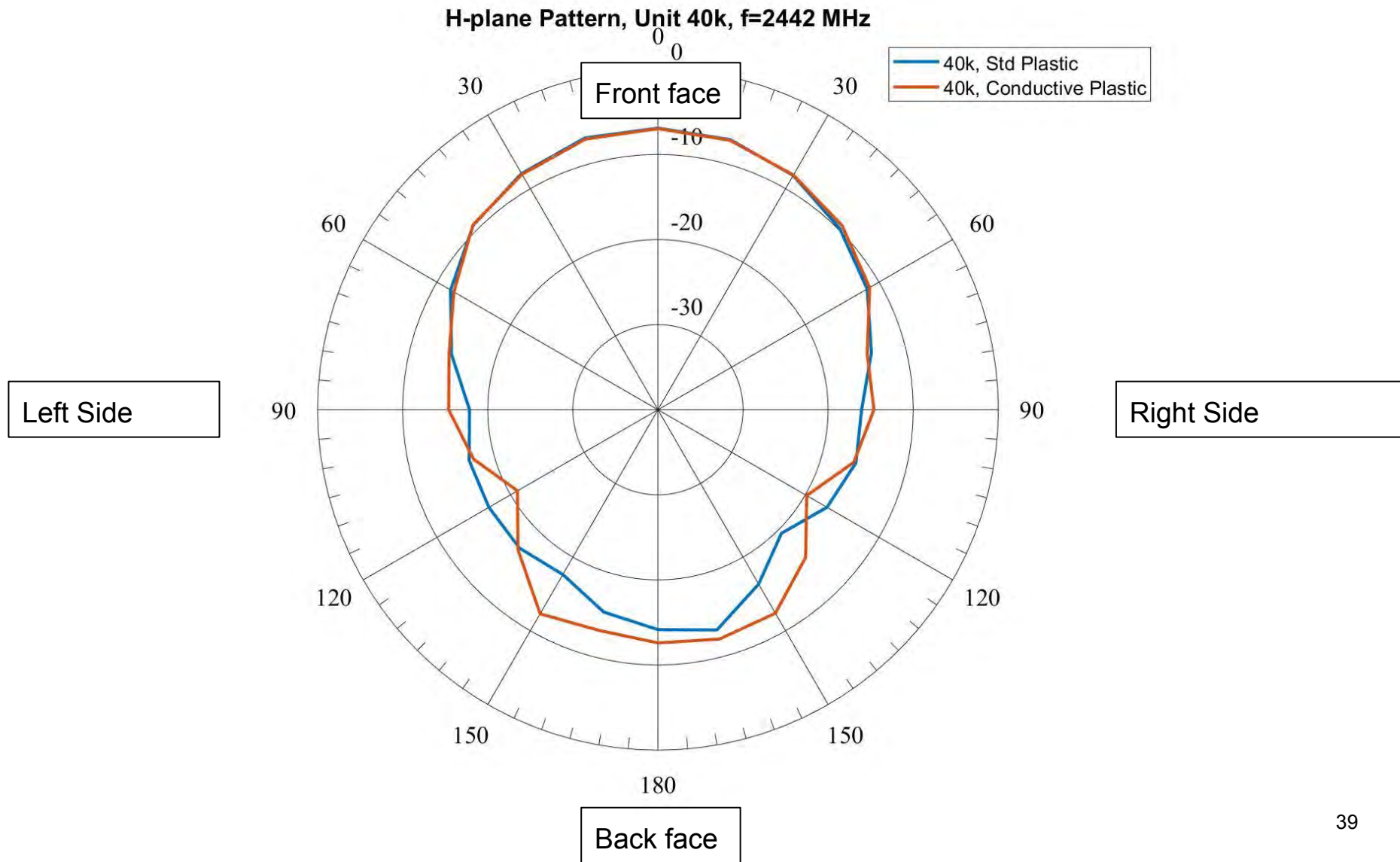


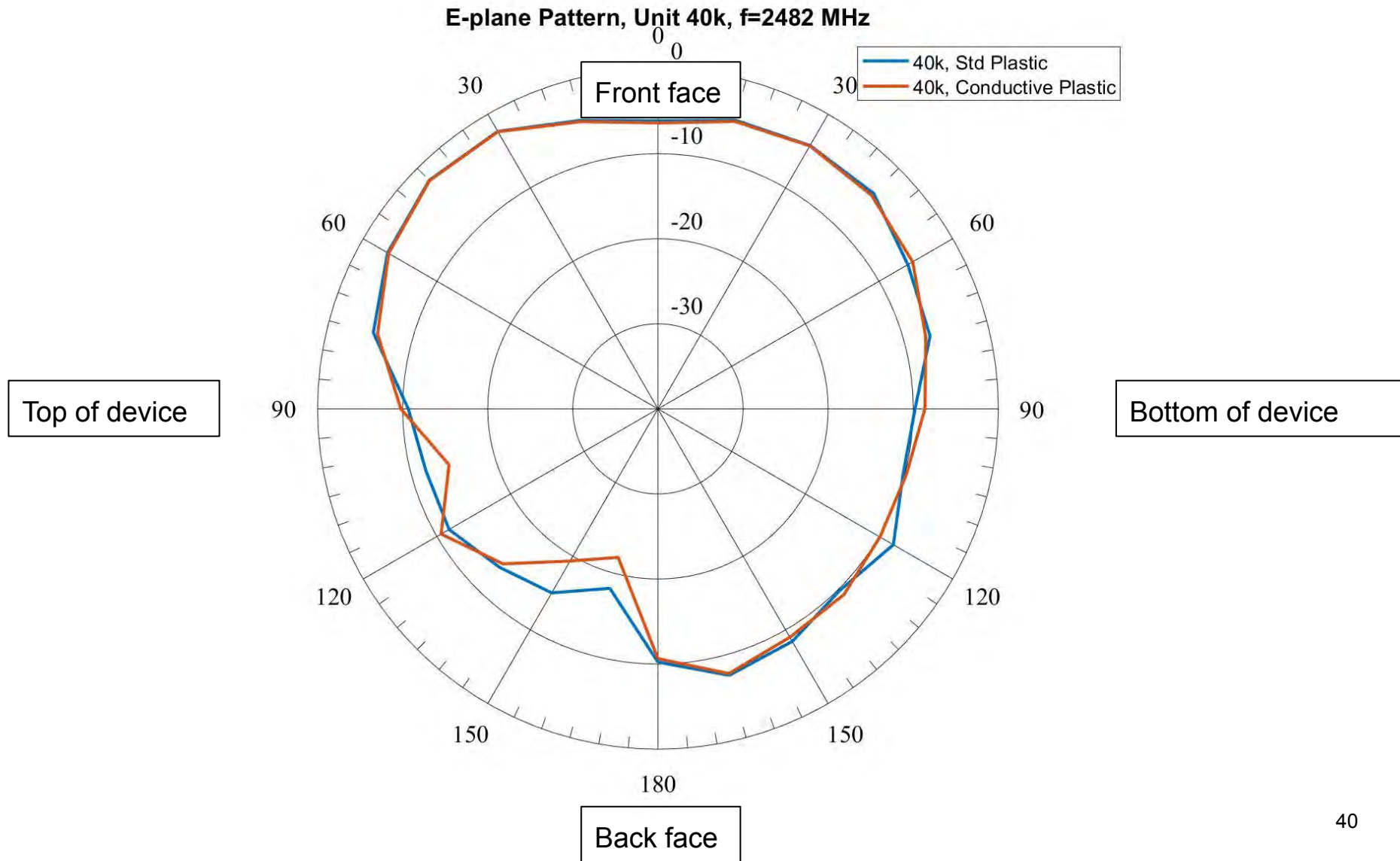
Elevation / E-Plane; Unit 40k; Low Channel

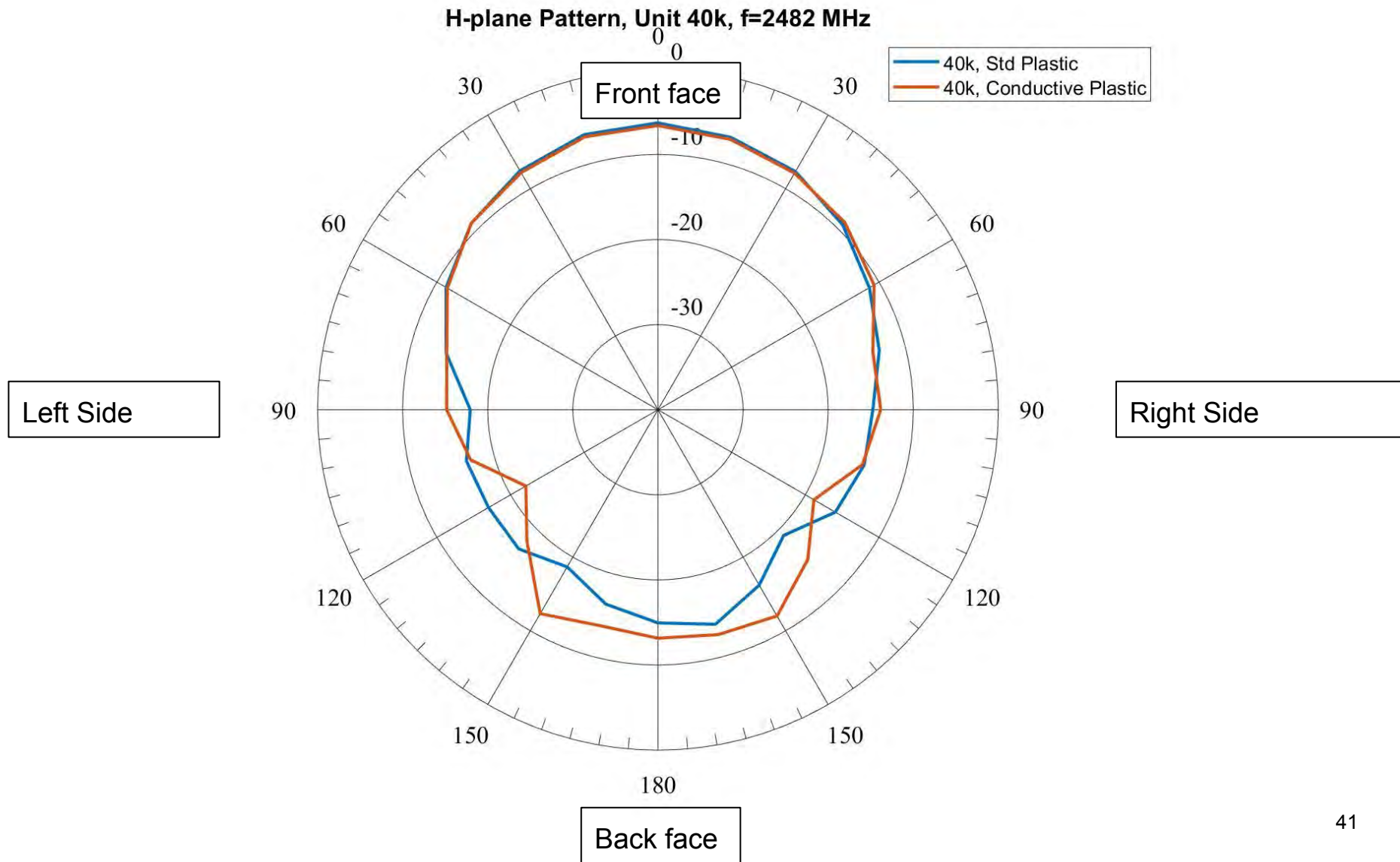




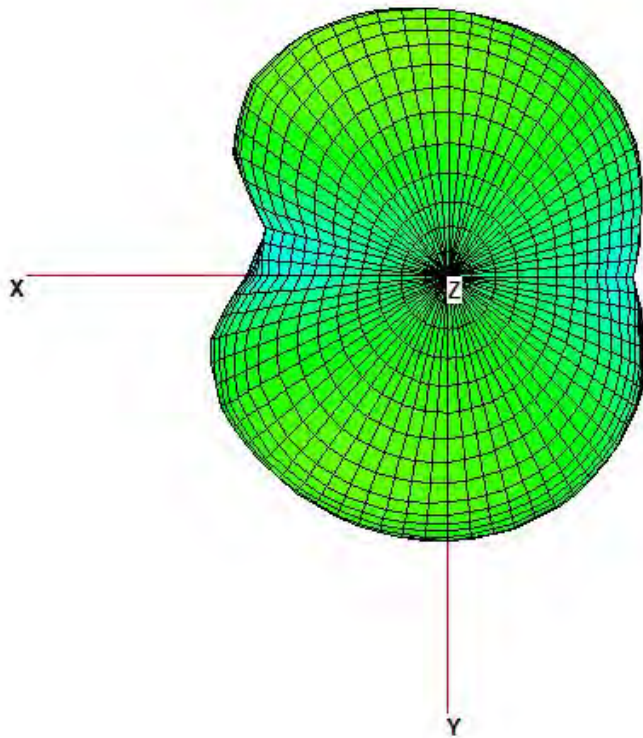




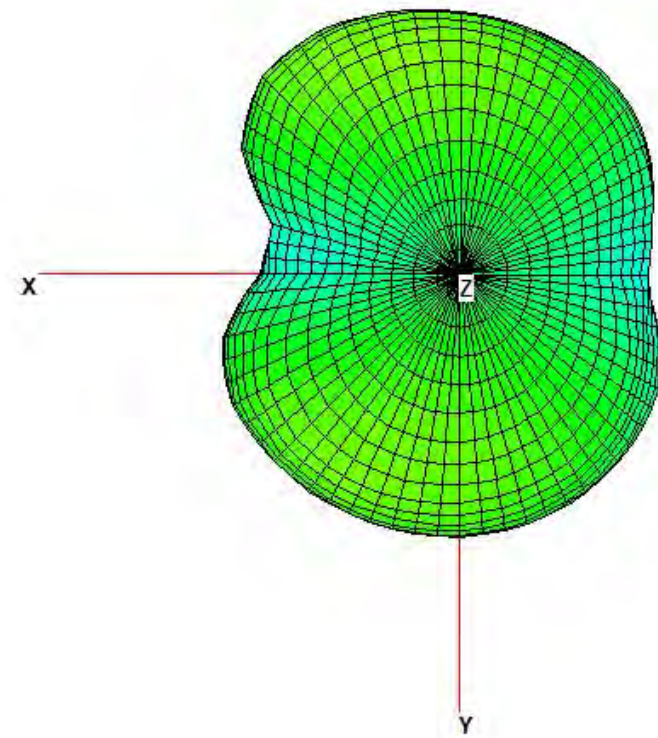




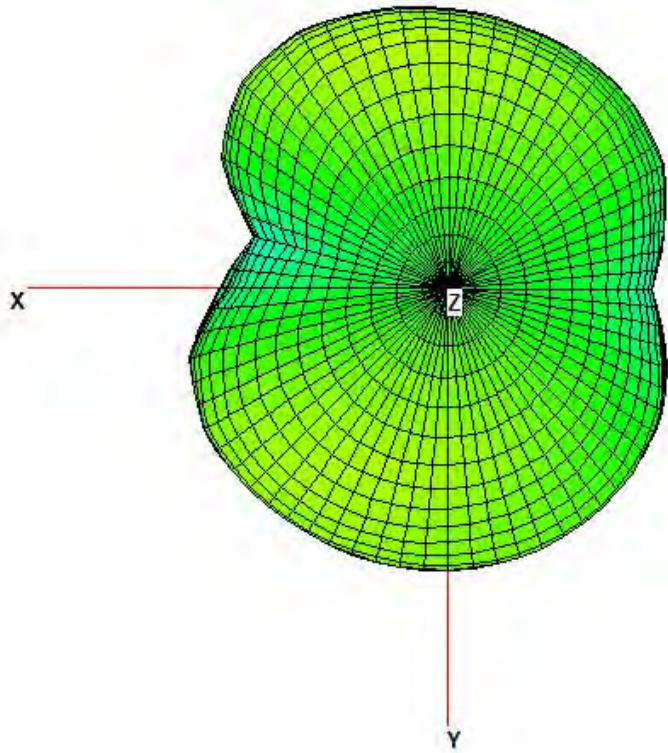
standard



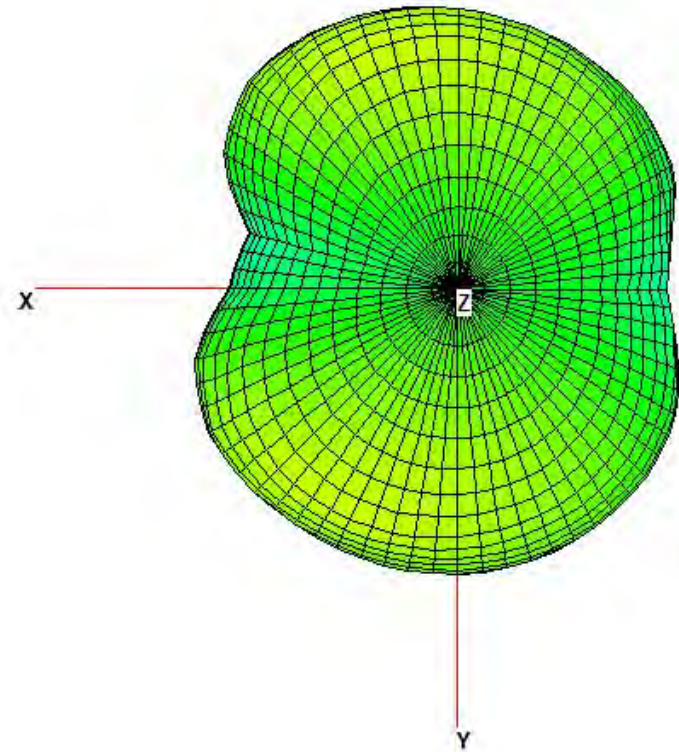
conductive



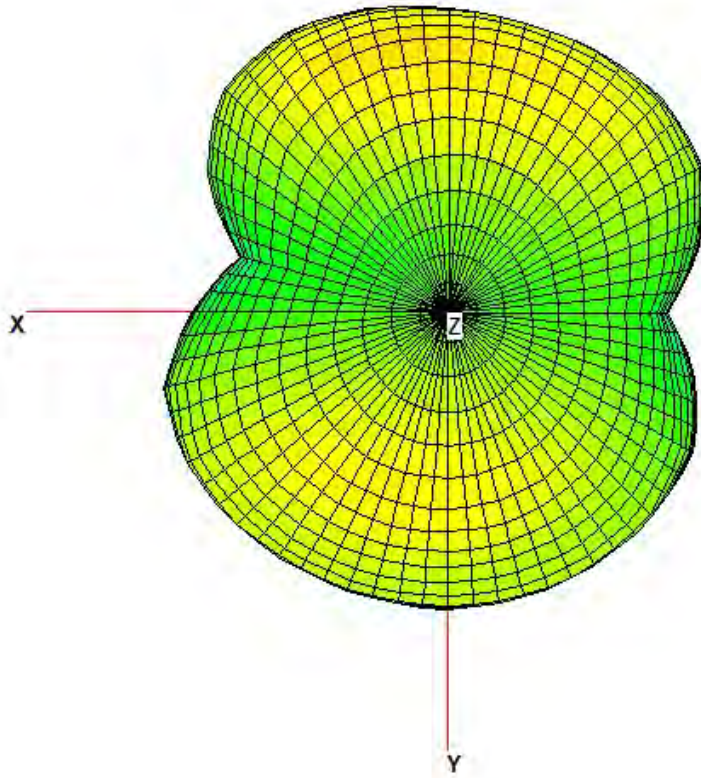
standard



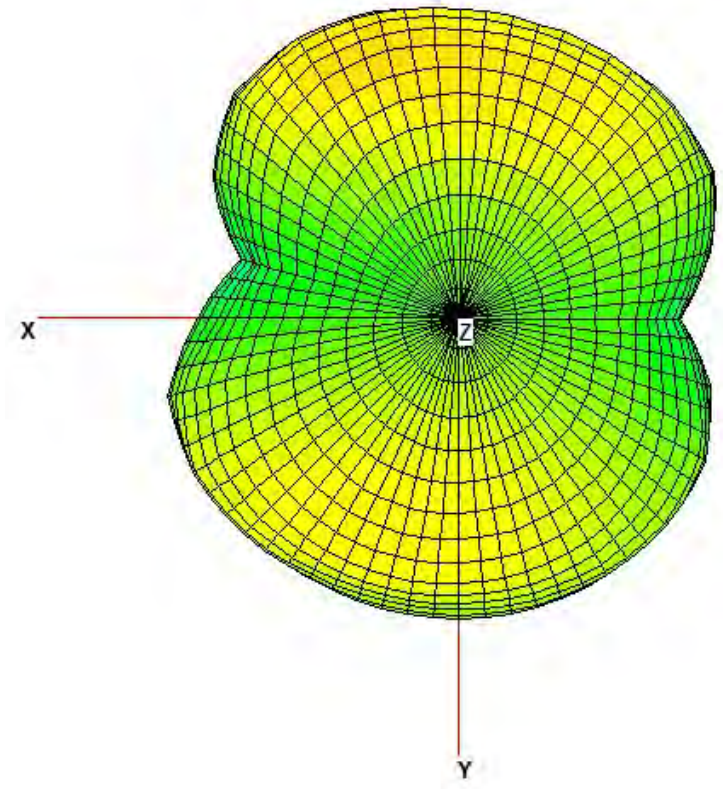
conductive



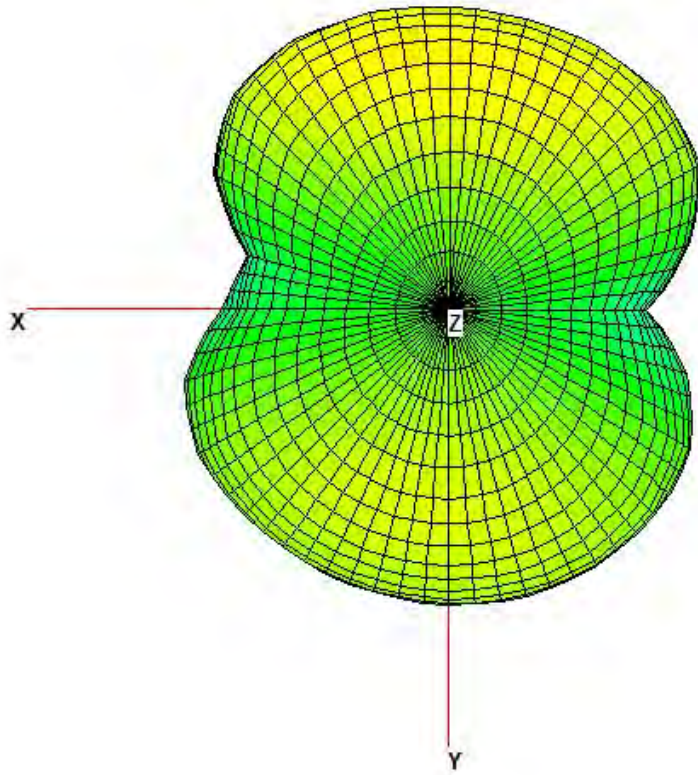
standard



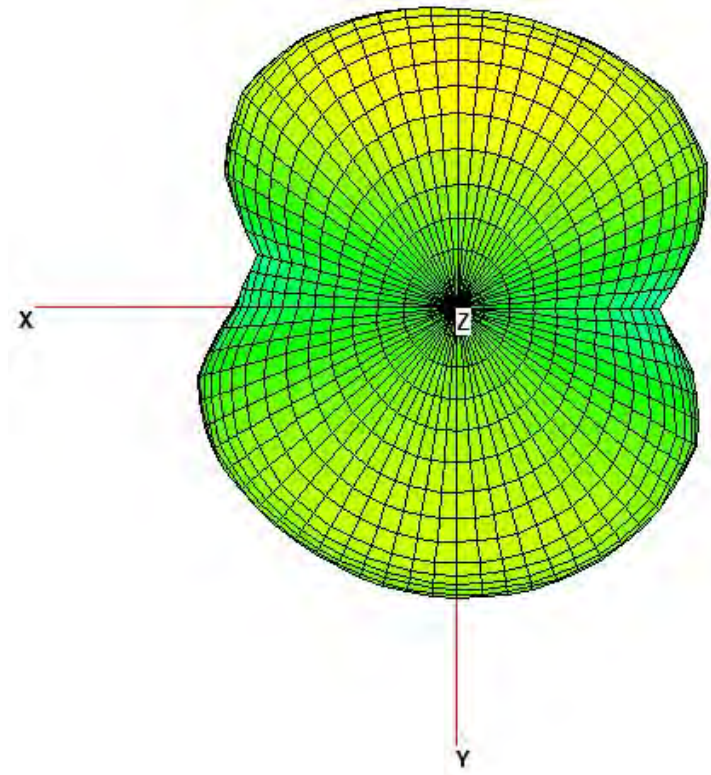
conductive



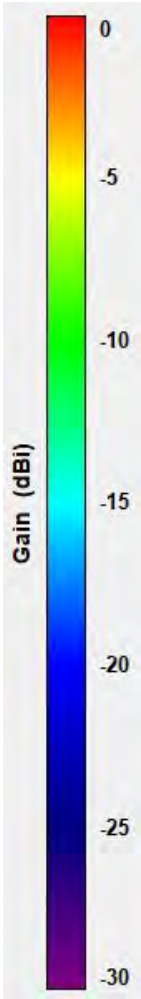
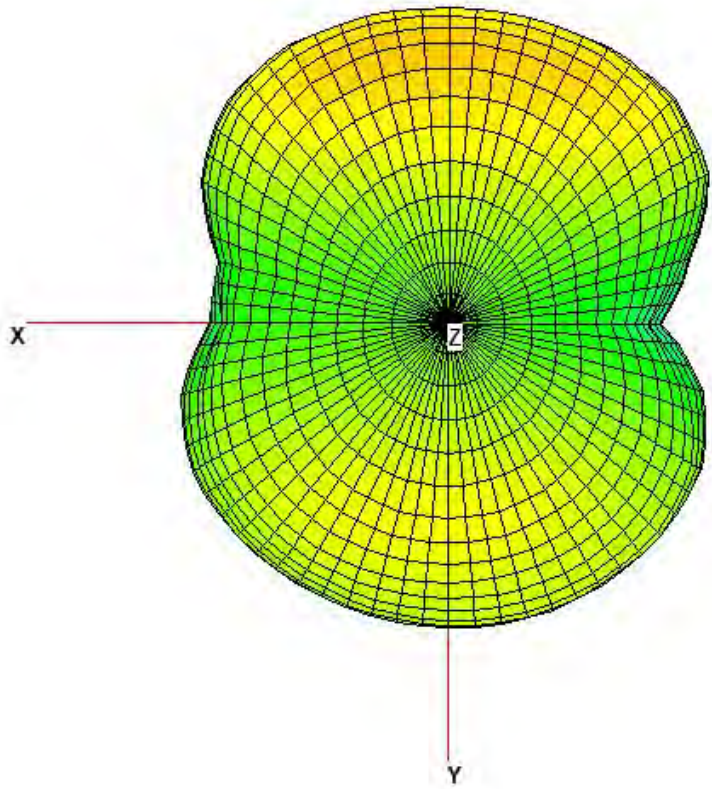
standard



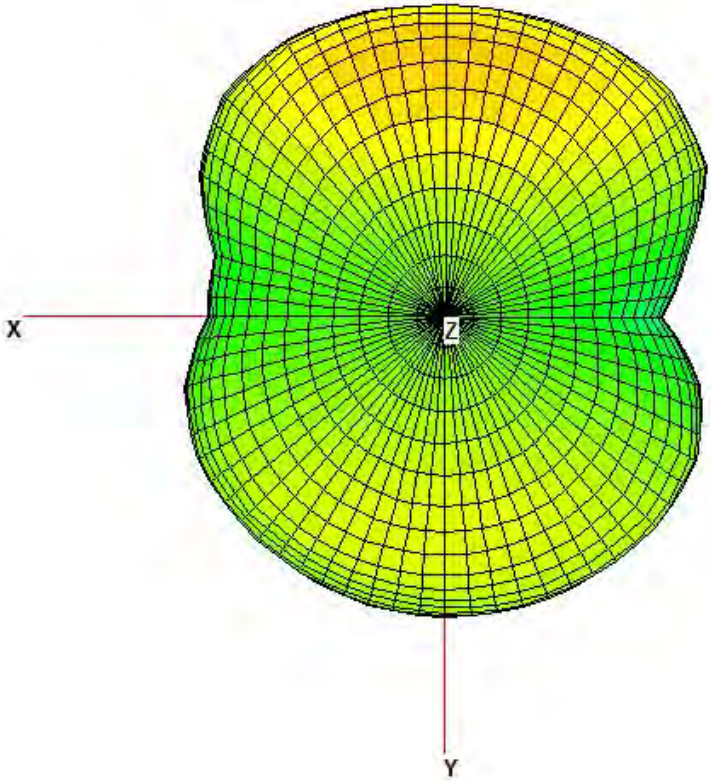
conductive



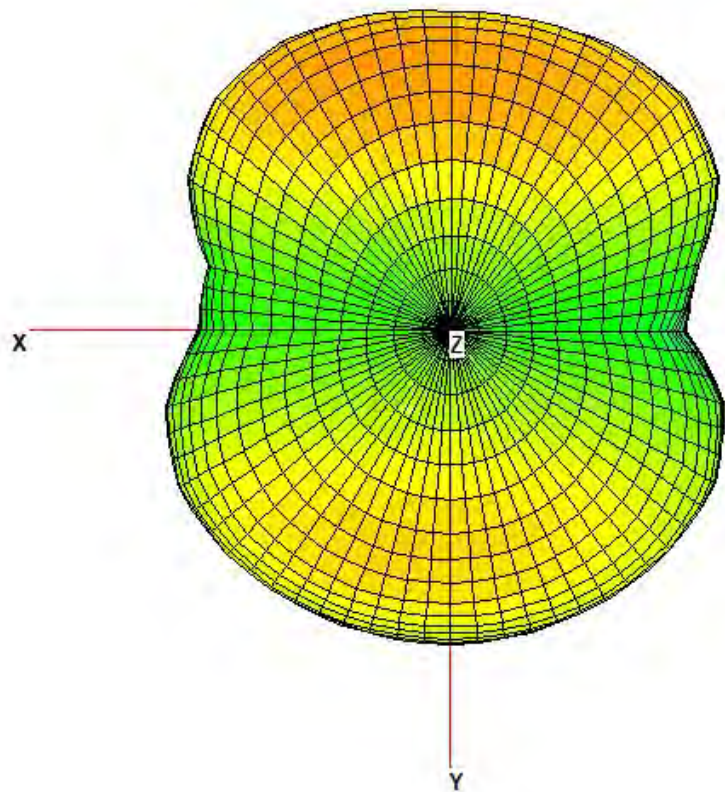
standard



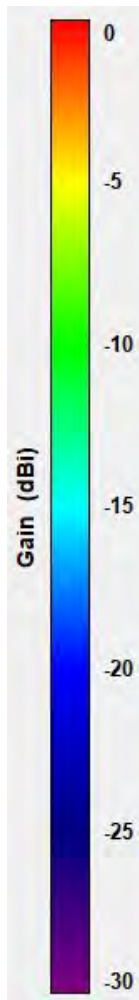
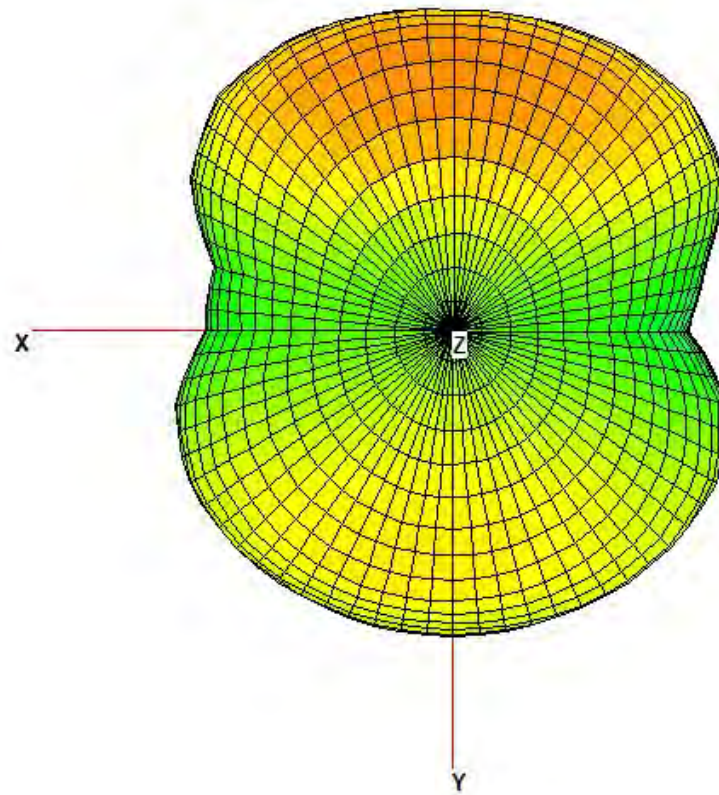
conductive



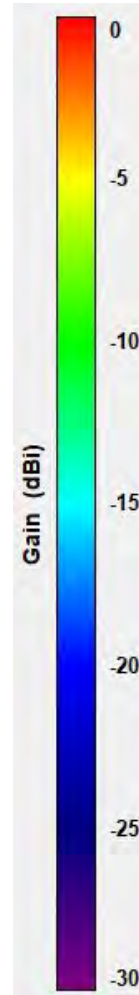
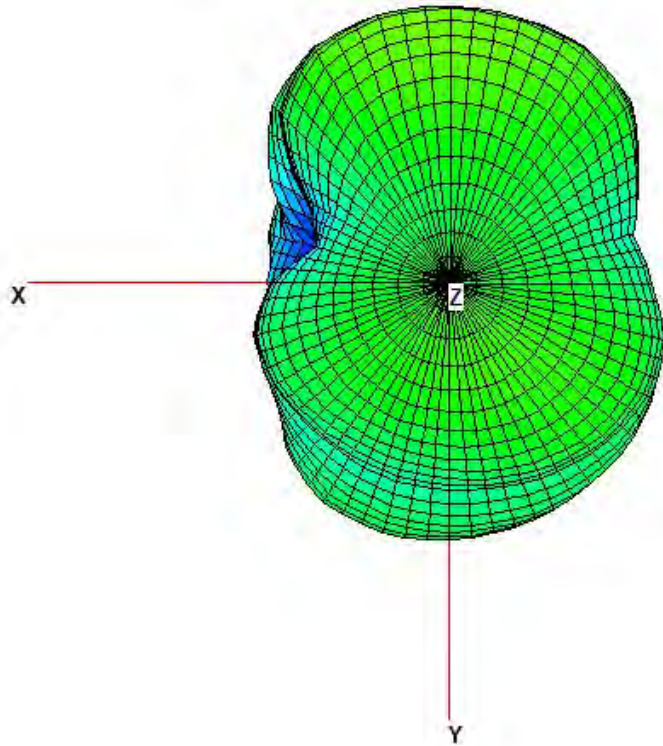
standard



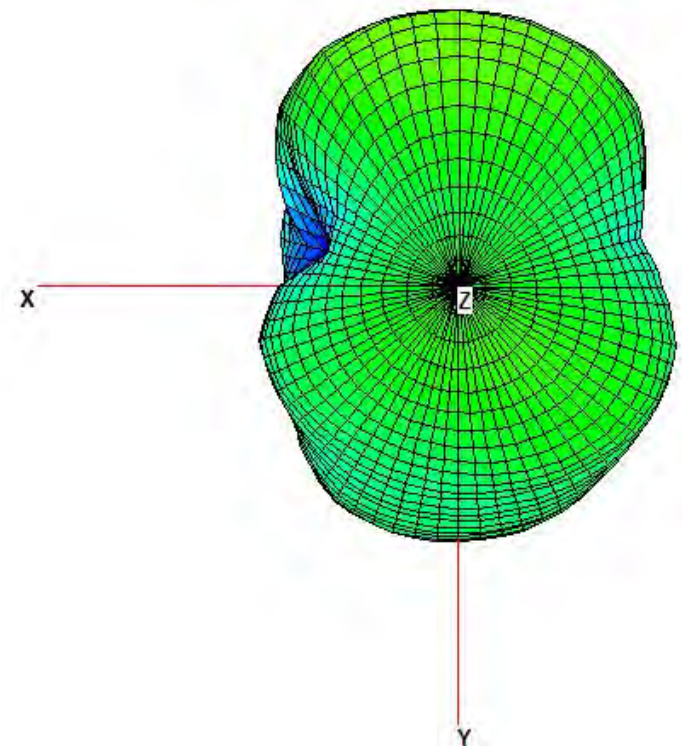
conductive



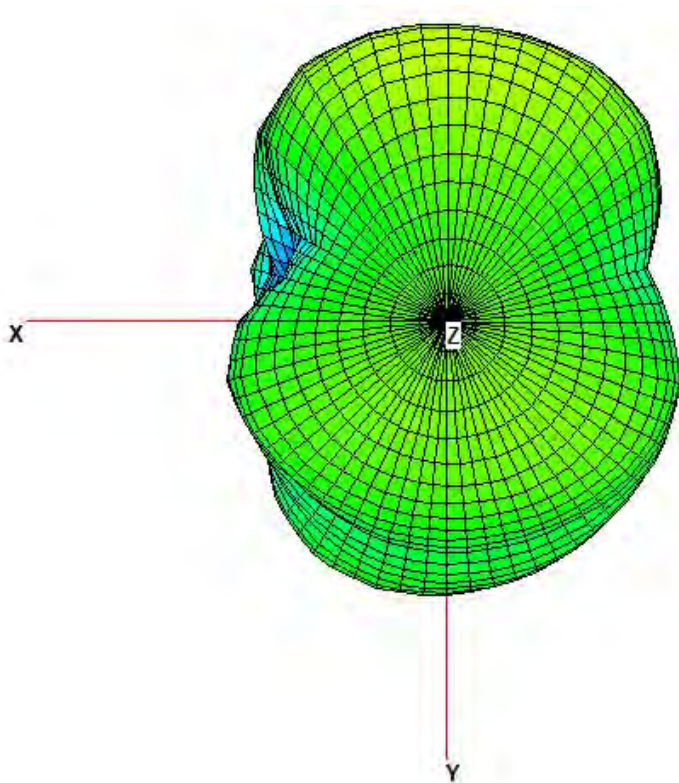
standard



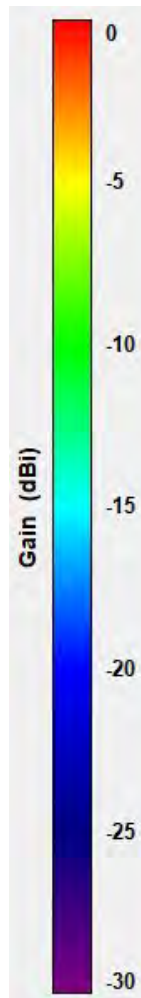
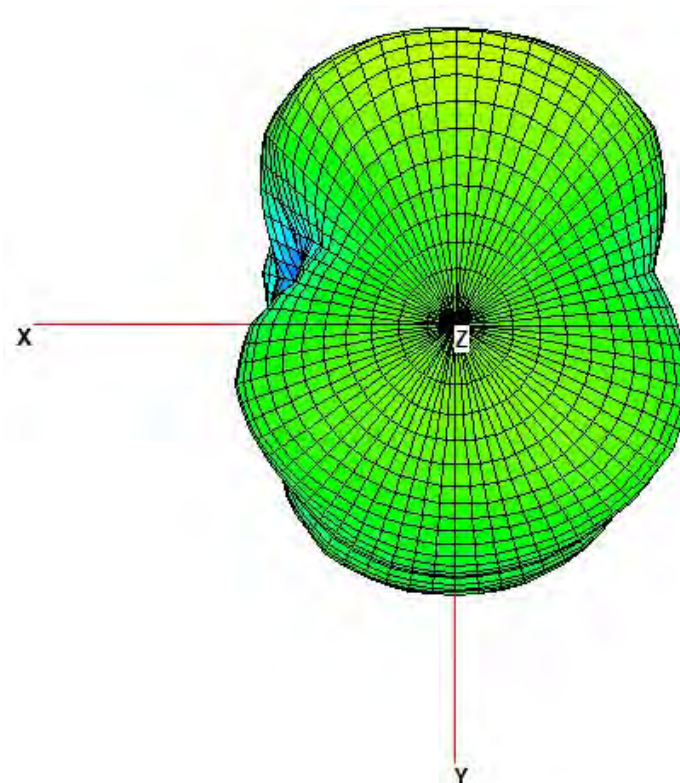
conductive



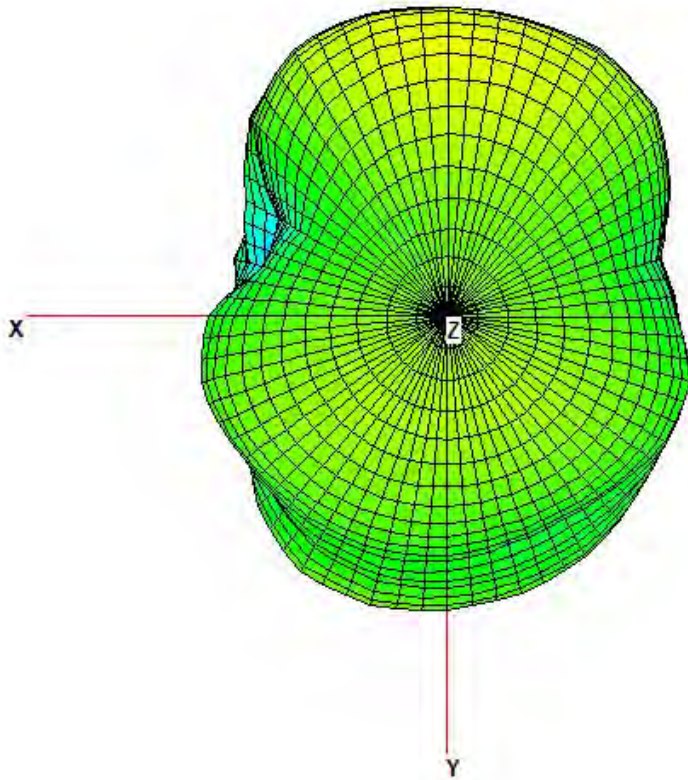
standard



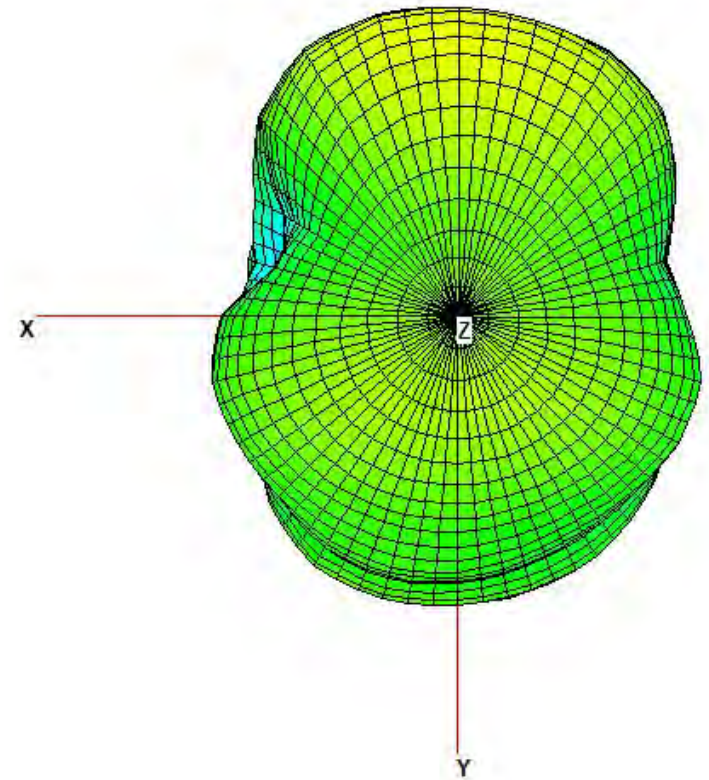
conductive



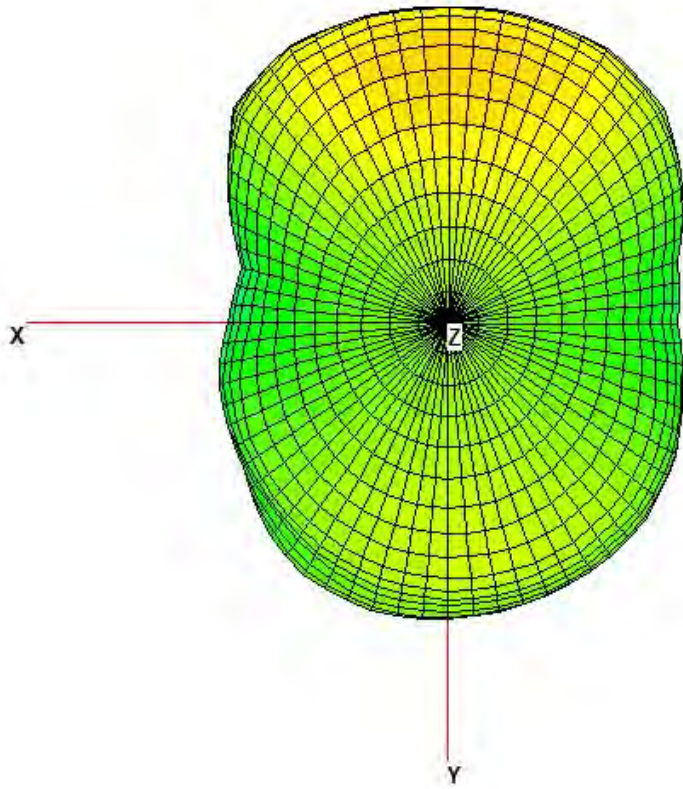
standard



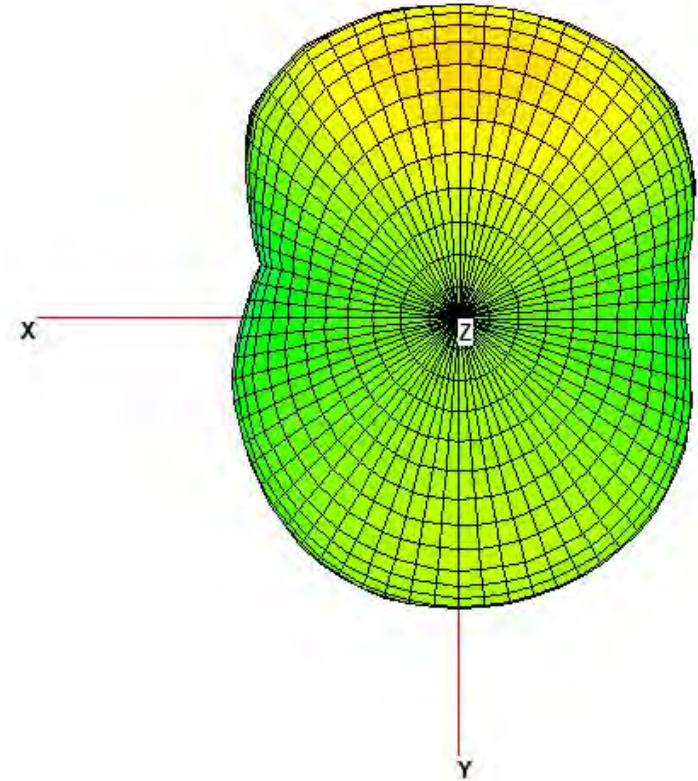
conductive



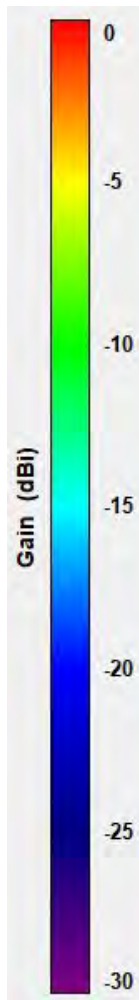
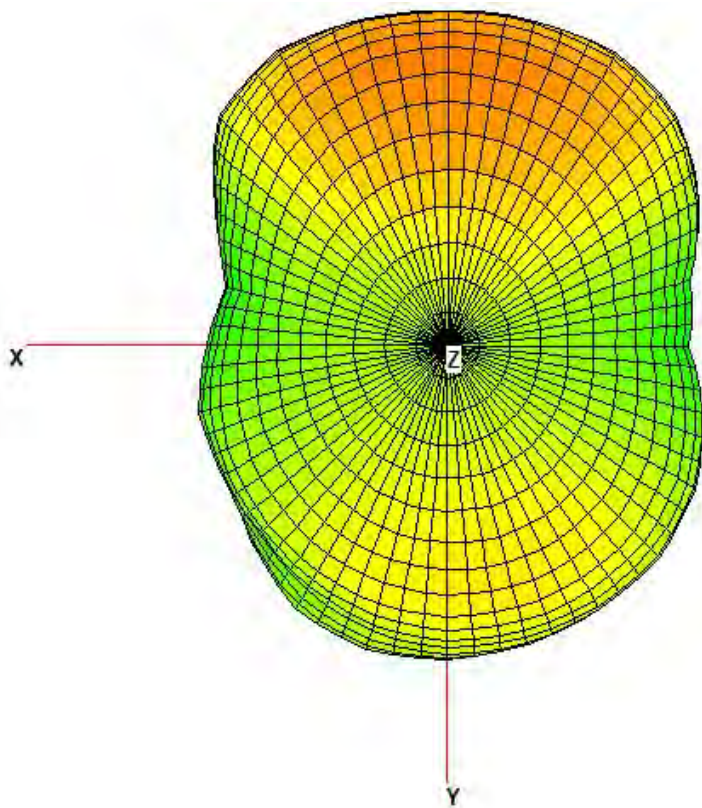
standard



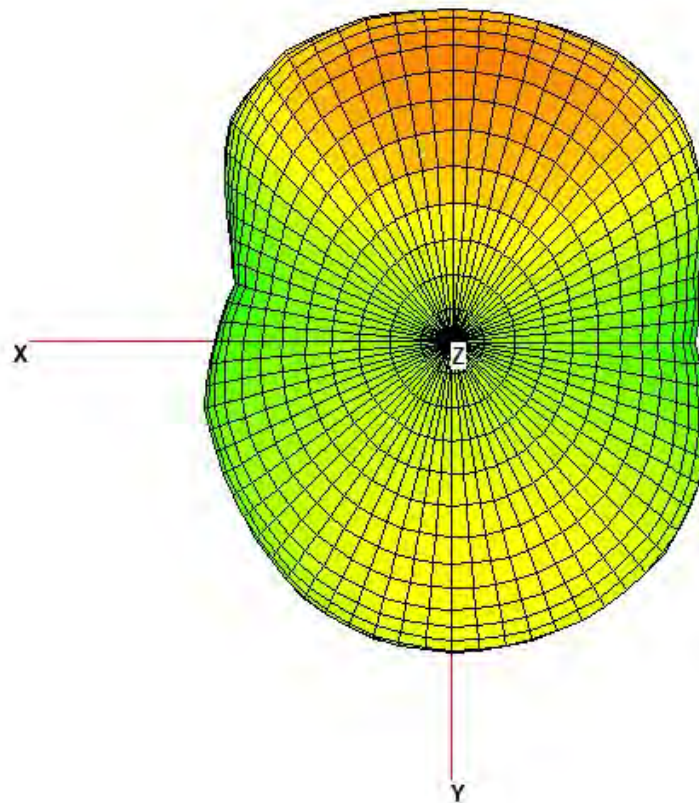
conductive



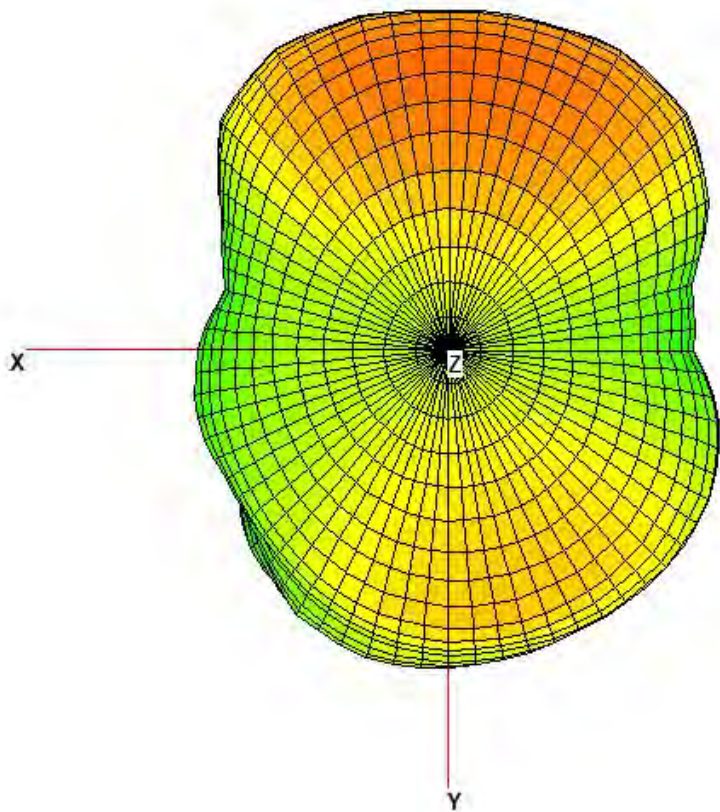
standard



conductive



standard



conductive

