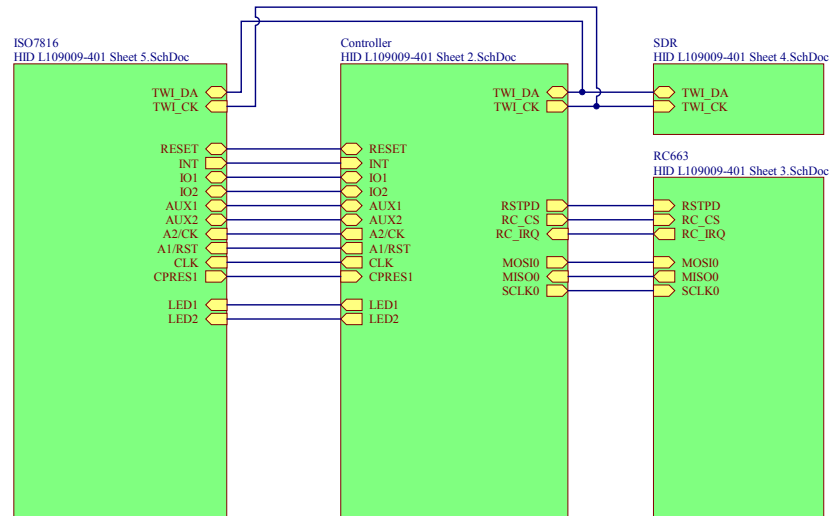

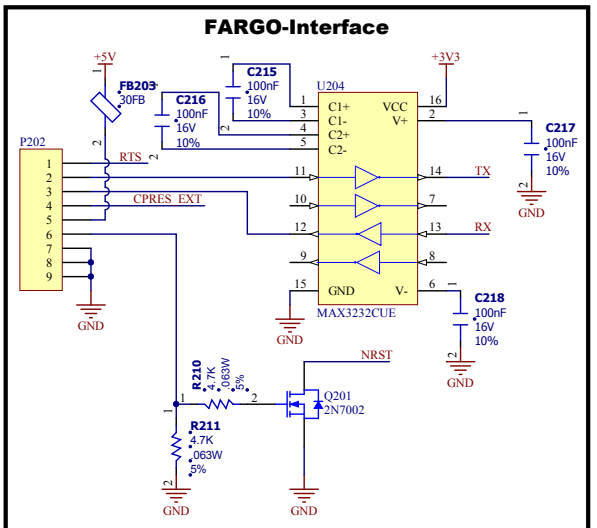
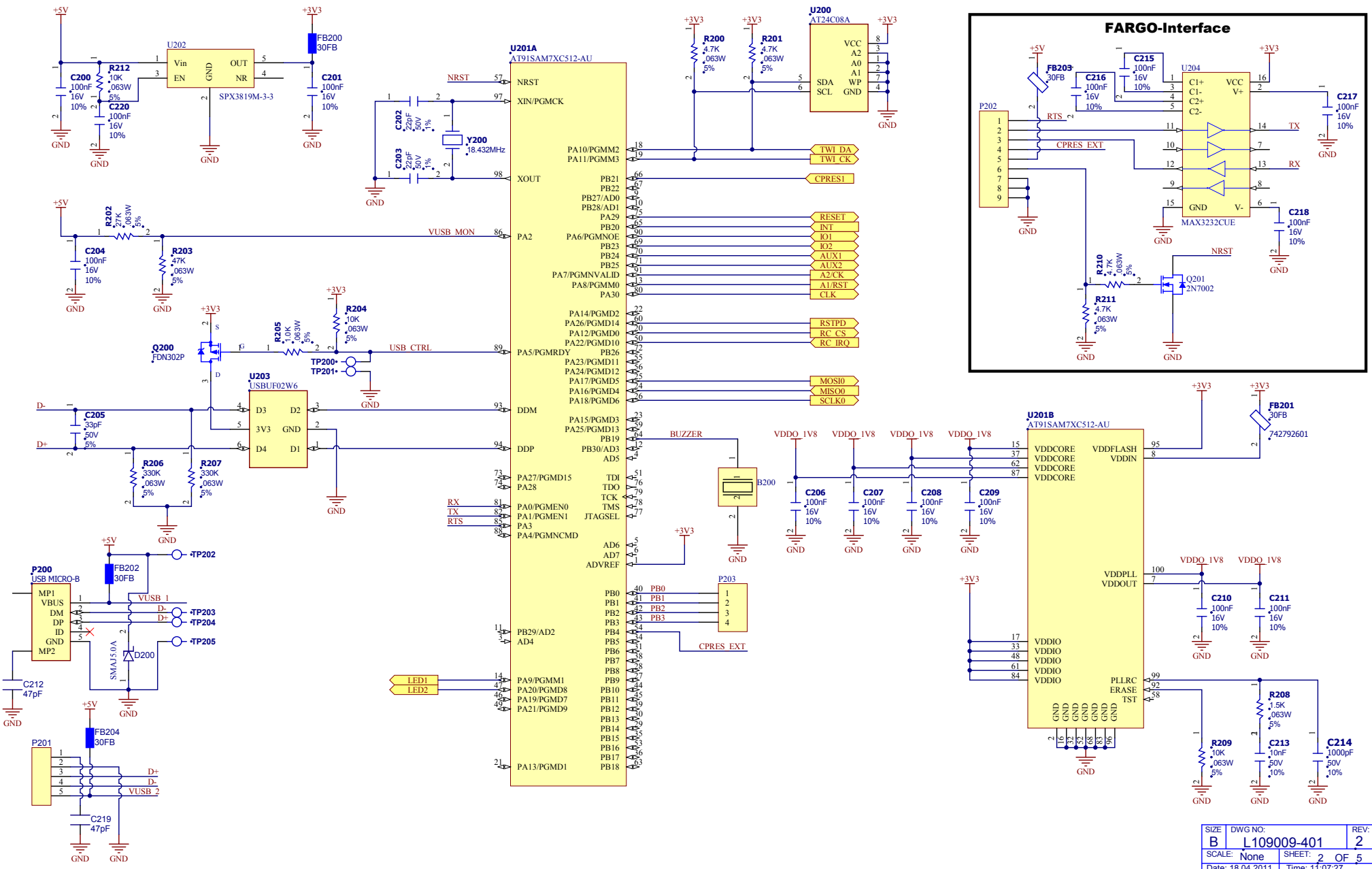


NOTES, UNLESS OTHERWISE SPECIFIED:
 1. Resistance values are measured in ohms.
 2. Capacitance values are measured in microfarads.
 3. Inductor values are measured in microhenrys.
 4. "*" denotes parts with optional population.
 5. For PWB see Design File 47-0425-01.

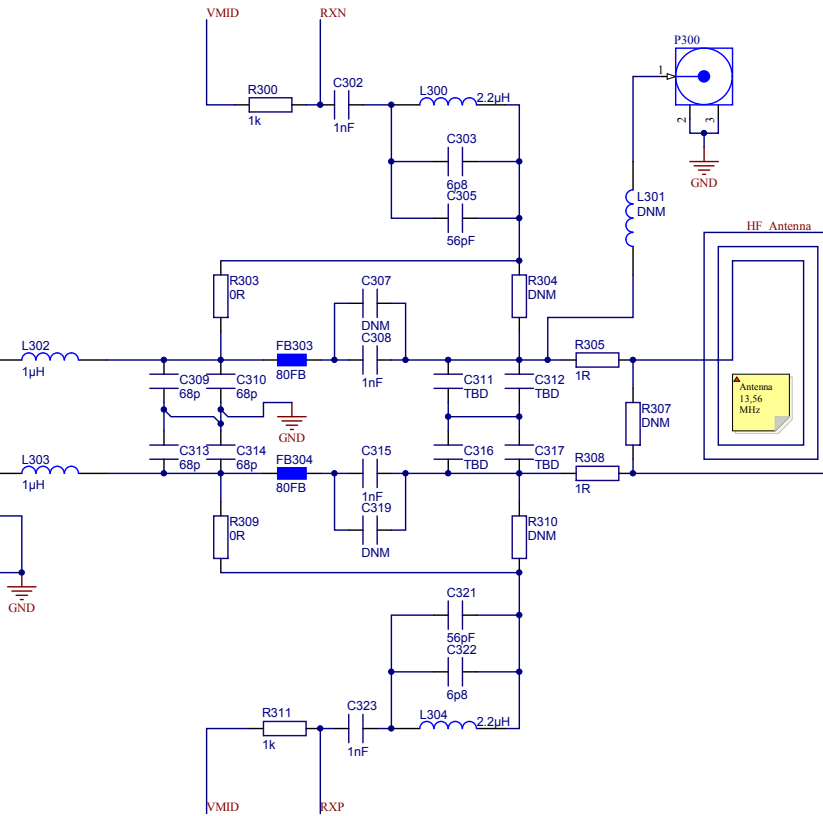
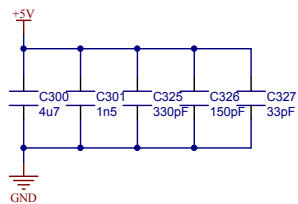
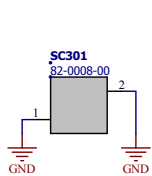
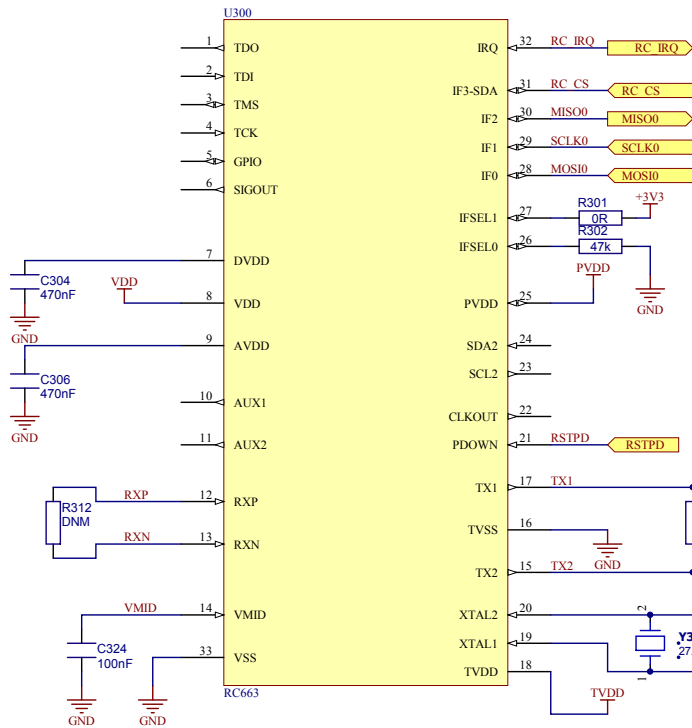
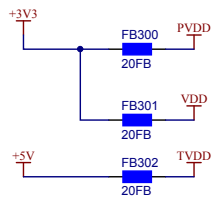
REVISIONS		
REV	ECO#	DESCRIPTION
1	ELZ00109	INITIAL PROTOTYPE RELEASE
2	ELZ00118	ADDITIONAL INTERFACE, MICRO USB, BUGFIXES



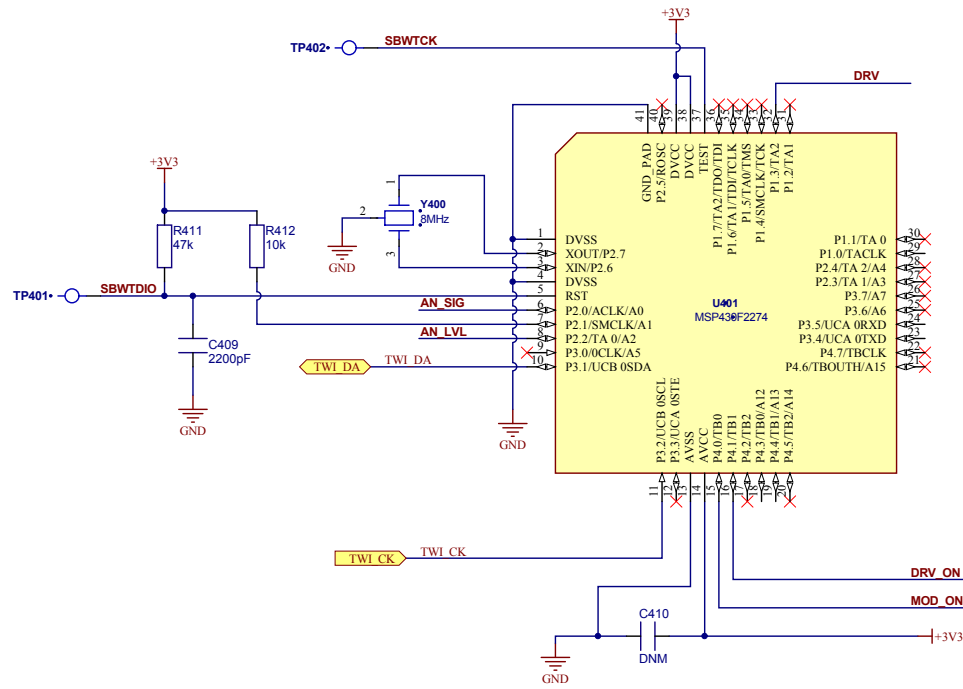
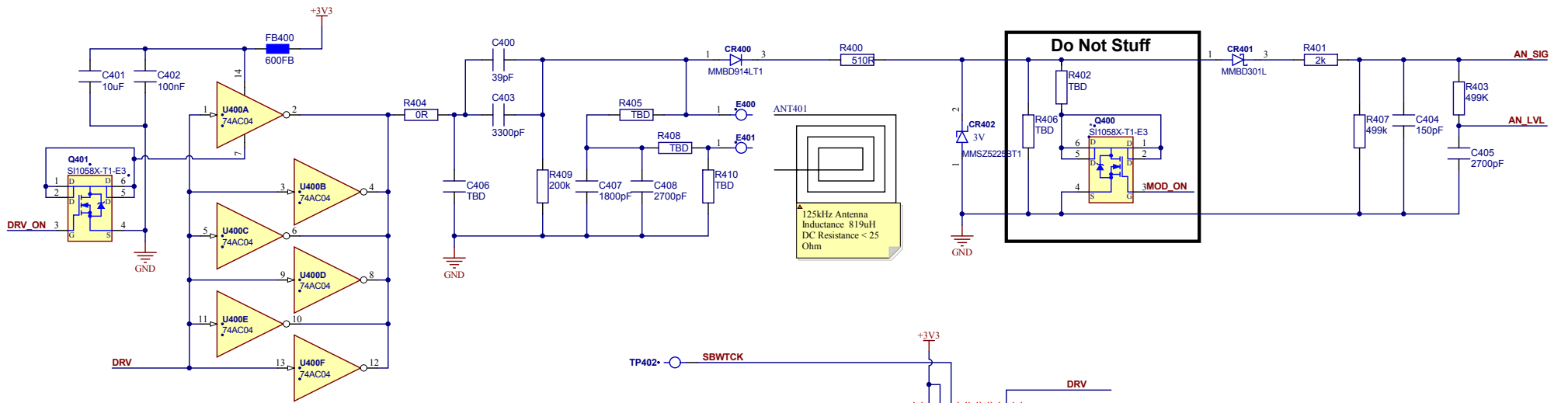
HID GLOBAL CONFIDENTIAL AND PROPRIETARY INFORMATION. THIS DOCUMENT CONTAINS CONFIDENTIAL AND PROPRIETARY INFORMATION, WHICH MAY NOT BE DUPLICATED, PUBLISHED, DISSEMINATED OR DISCLOSED TO UNINTENDED THIRD PARTY RECIPIENTS (OR JUST "THIRD PARTIES") OR USED FOR ANY PURPOSE, WITHOUT WRITTEN PERMISSION FROM HID GLOBAL. IF YOU ARE AN UNINTENDED RECIPIENT OF THIS PROPRIETARY INFORMATION OR ARE UNWILLING TO ACCEPT THE ABOVE RESTRICTIONS, PLEASE IMMEDIATELY RETURN THIS DOCUMENT TO: HID GLOBAL CORPORATION 15370 BARRANCA PKWY, IRVINE CA File: E:\HW\nativeCCID_RBICAD\HID L109009-401 Sheet 1.SchDoc	UNLESS OTHERWISE SPECIFIED	DO NOT SCALE DRAWING	 DWG TITLE: native CCID Reader Board Schematics	
	DIMENSIONS ARE IN MILLIMETERS (INCHES)	SEE SEPARATE APPROVAL LIST		SIZE: B DWG NO: L109009-401 REV. 2
	.XX +/- .01 [.3] ANGLES +/- 1	SEE SEPARATE PARTS LIST		SCALE: None MP
	.XXX +/- .005 [.13]	THIRD ANGLE PROJECTION		Date: 18.04.2011 Time: 11:07:27
	INTERPRET DRAWING PER ANSI/ASME Y14.5M	MATERIAL: N/A	Sheet 1 of 5	



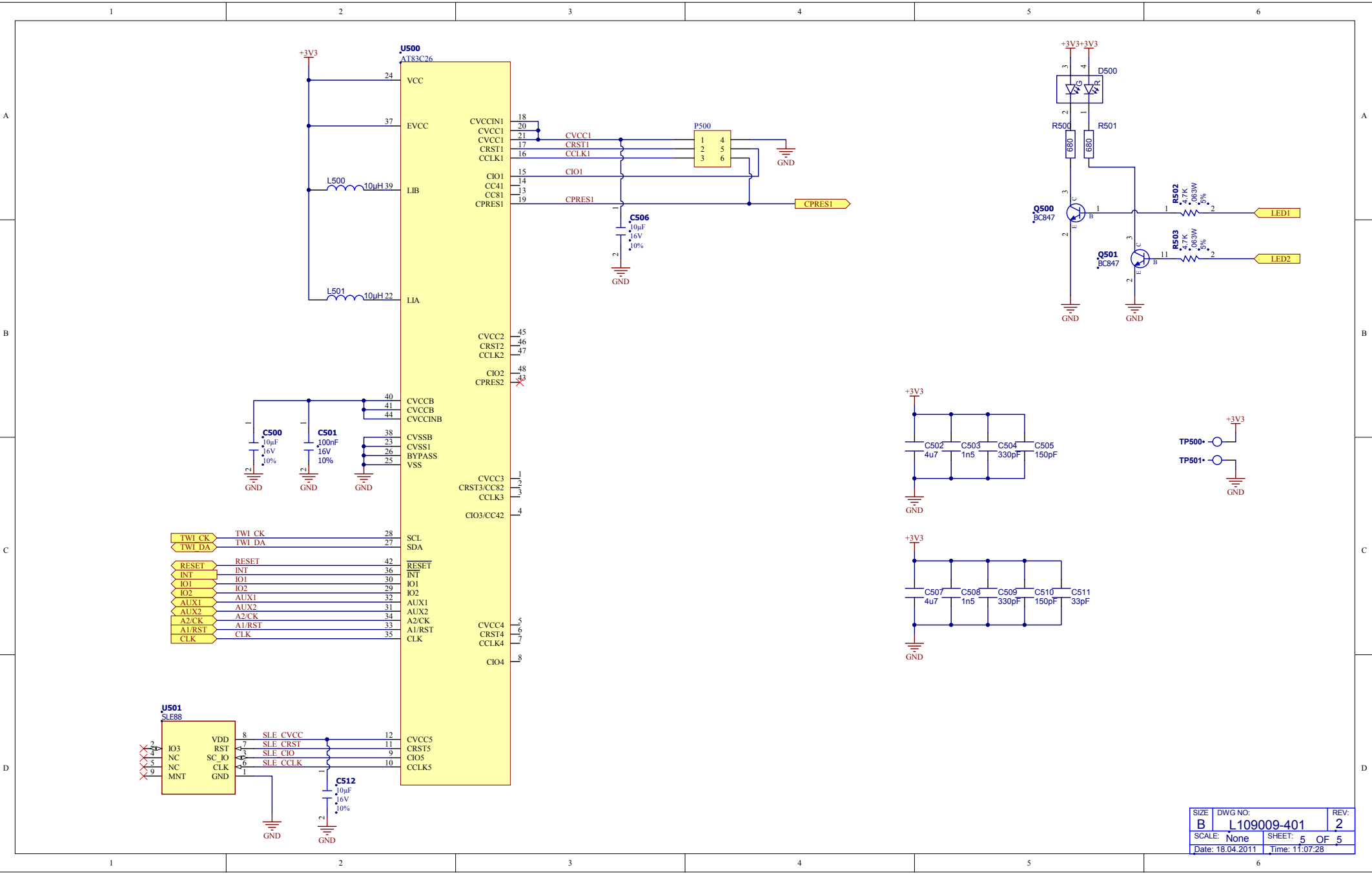
SIZE	DWG NO:	REV:
B	L109009-401	2
SCALE:	None	SHEET: 2 OF 5
Date: 18.04.2011	Time: 11:07:27	



SIZE	DWG NO:	REV:
B	L109009-401	2
SCALE:	None	SHEET: 3 OF 5
Date: 18.04.2011		Time: 11:07:27



SIZE	DWG NO:	REV:
B	L109009-401	2
SCALE: None	SHEET: 4 OF 5	
Date: 18.04.2011	Time: 11:07:28	



SIZE	DWG NO:	REV:
B	L109009-401	2
SCALE: None	SHEET: 5 OF 5	
Date: 18.04.2011	Time: 11:07:28	