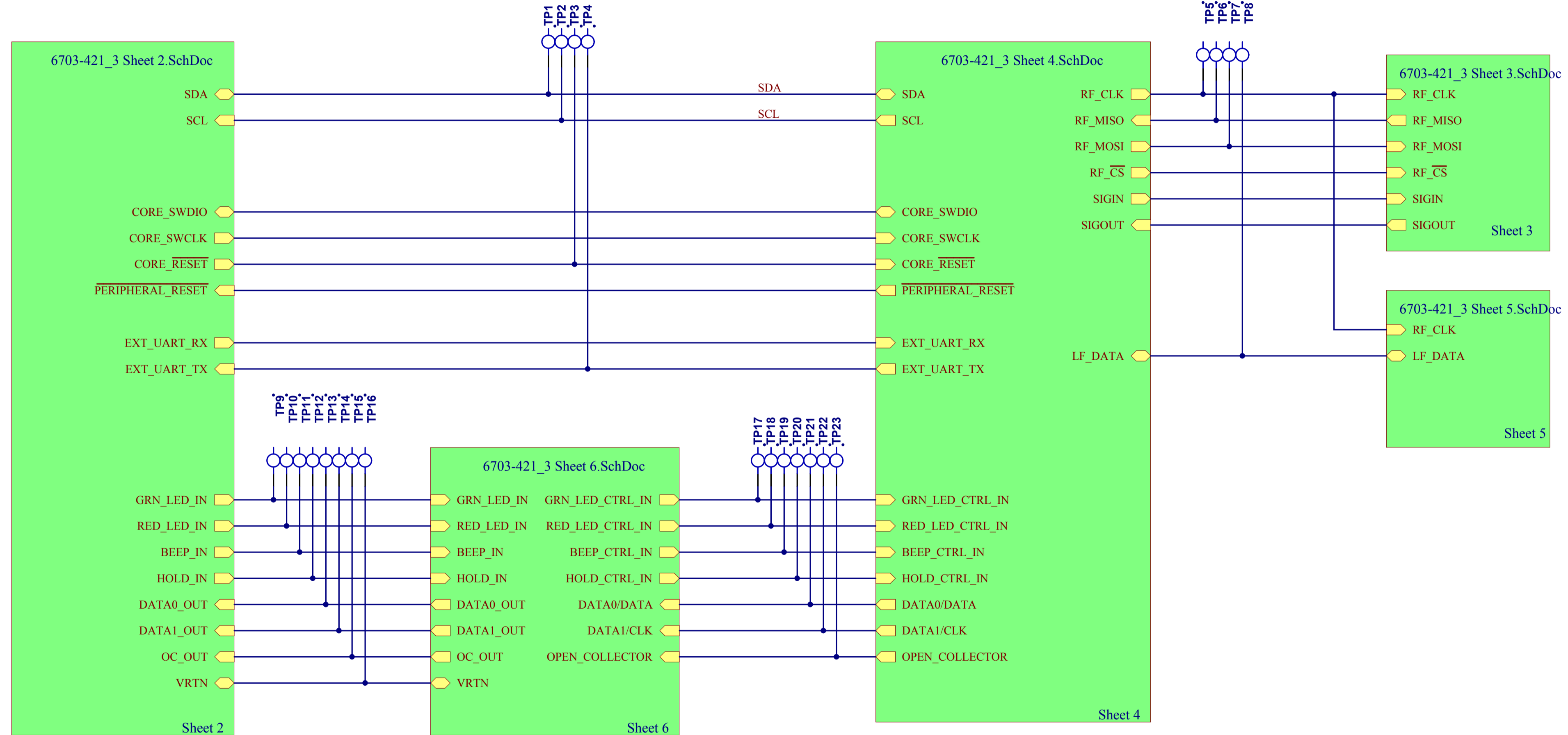
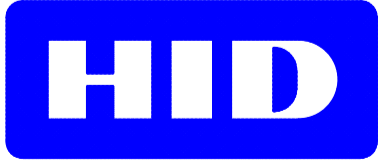


NOTES, UNLESS OTHERWISE SPECIFIED:
 1. Resistance values are measured in ohms.
 2. Capacitance values are measured in microfarads.
 3. Inductor values are measured in microhenrys.
 4. Reference designator guide:
 1XXX = POWER SUPPLY CIRCUIT
 2XXX = 13.56MHz ANTENNA CIRCUIT
 3XXX = CORE uP CIRCUIT
 4XXX = PROX CIRCUIT
 5 XXX = IN OUT CIRCUITS
 5. For PCB pattern see file: 47-0471-01

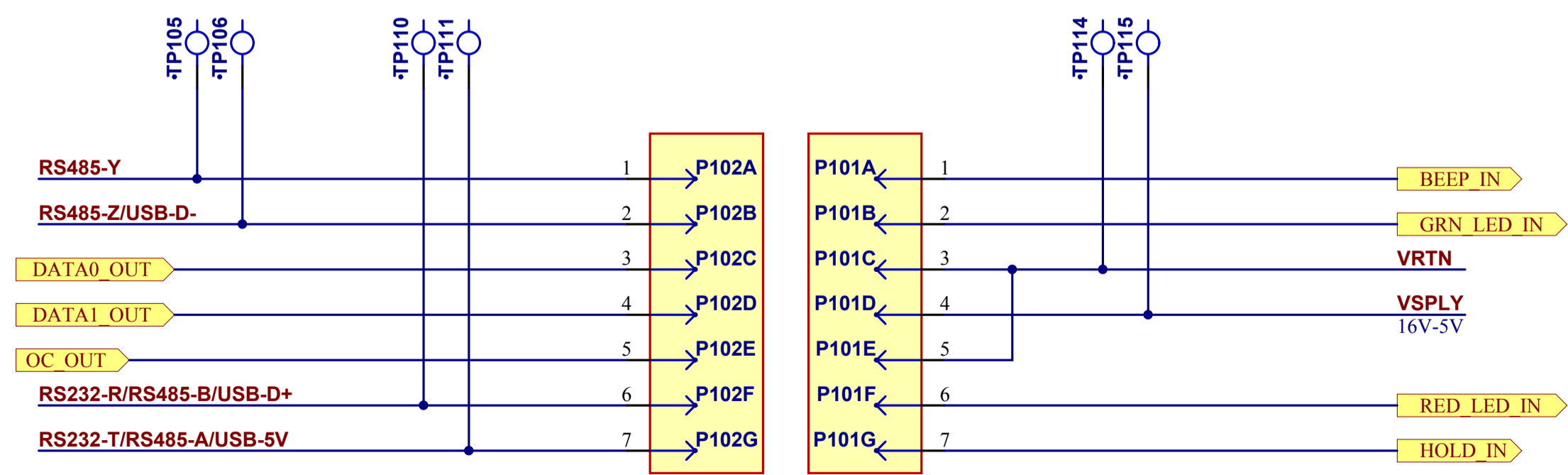
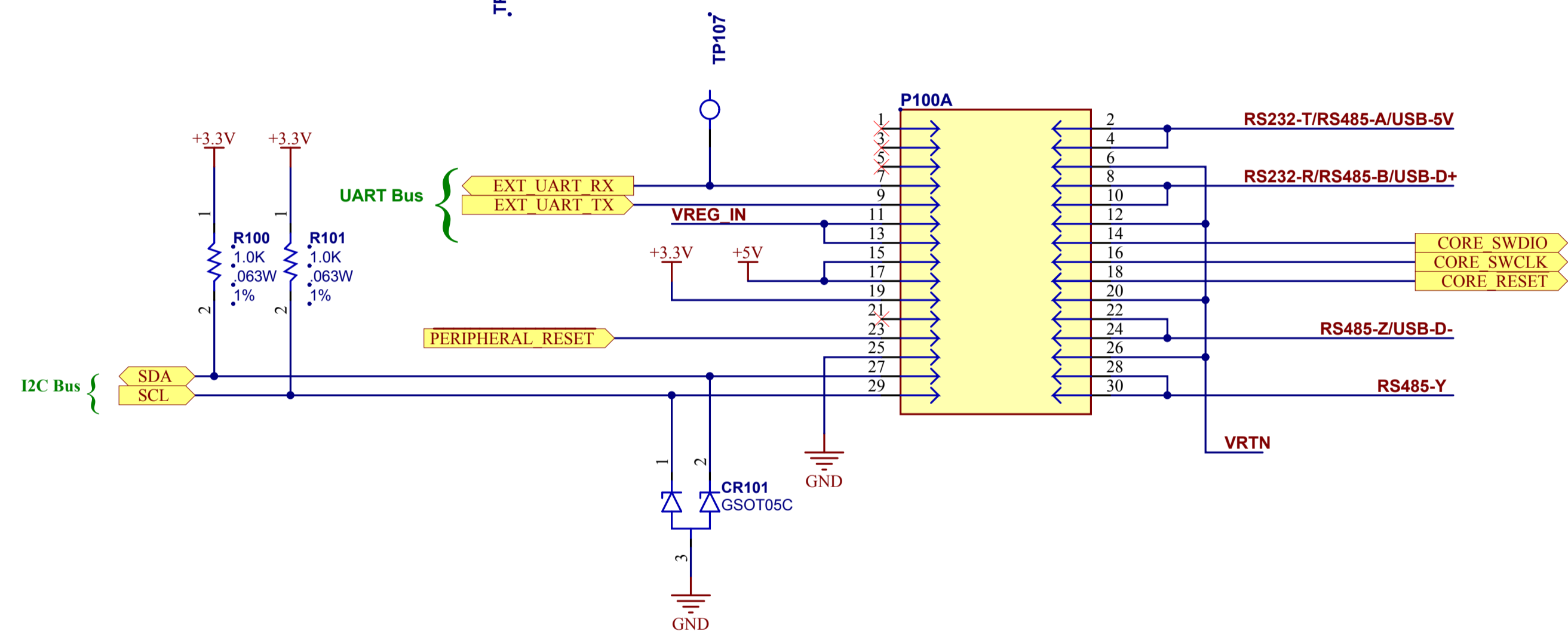
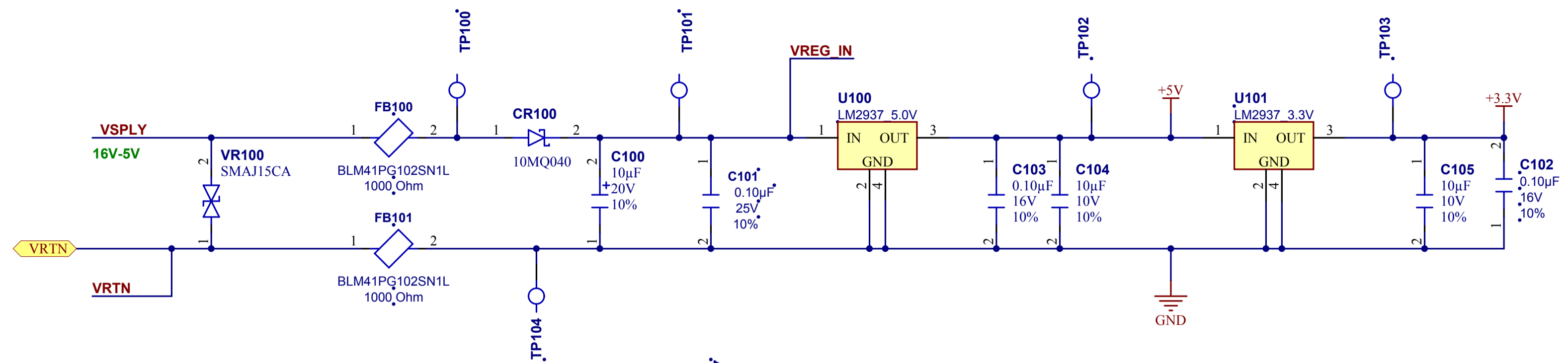
REVISIONS		
REV	ECO#	DESCRIPTION
1	ITG06193	PROTOTYPE
2	ITG06193	IMPLEMENTED DFM REPORTS
3	ITG06xxx	TUNING VALUES CHANGED



FID1 ⊕ FID2 ⊕
 FID3 ⊕ FID4 ⊕

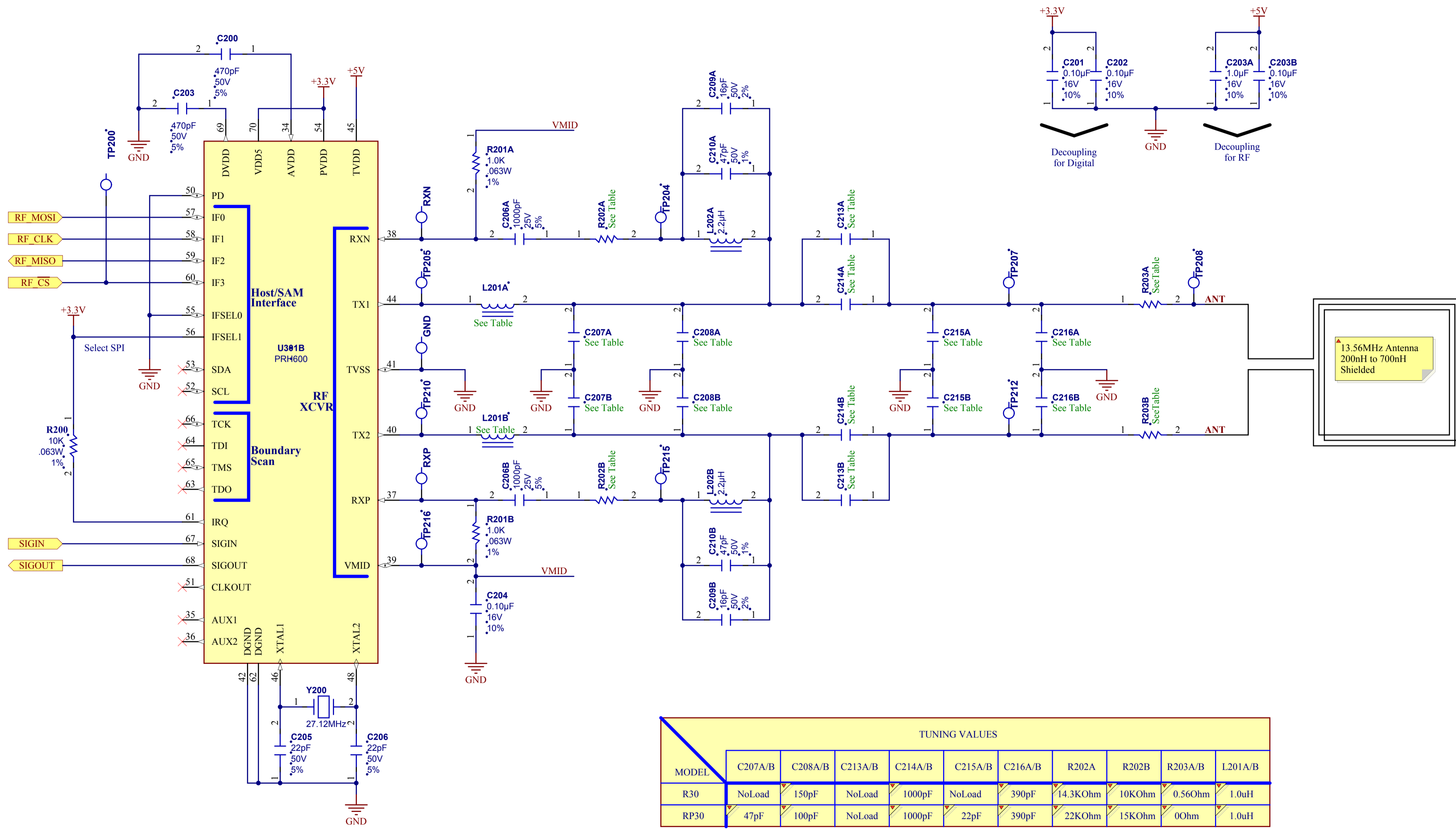
<p>HID GLOBAL CONFIDENTIAL AND PROPRIETARY INFORMATION. THIS DOCUMENT CONTAINS CONFIDENTIAL AND PROPRIETARY INFORMATION, WHICH MAY NOT BE DUPLICATED, PUBLISHED, DISSEMINATED OR DISCLOSED TO UNINTENDED THIRD PARTY RECIPIENTS [OR JUST: "THIRD PARTIES"] OR USED FOR ANY PURPOSE, WITHOUT WRITTEN PERMISSION FROM HID GLOBAL. IF YOU ARE AN UNINTENDED RECIPIENT OF THIS PROPRIETARY INFORMATION OR ARE UNWILLING TO ACCEPT THE ABOVE RESTRICTIONS, PLEASE IMMEDIATELY RETURN THIS DOCUMENT TO: HID GLOBAL CORPORATION 15370 BARRANCA PKWY. IRVINE CA</p>	UNLESS OTHERWISE SPECIFIED	DO NOT SCALE DRAWING		
	DIMENSIONS ARE IN MILLIMETER/S [INCH/ES]	SEE SEPARATE APPROVAL LIST		DWG TITLE: SCHEMATIC, ARTEMIS R30 WITH HSI PORT
	.XX +/- .01 [.3]	ANGLES +/- 1	SEE SEPARATE PARTS LIST	SIZE: B DWG NO: 6703-421 REV: 3
	.XXX +/- .005 [.13]	FINISH: N/A	THIRD ANGLE PROJECTION	SCALE: None Sheet: 1 of 6
MATERIAL: N/A		INTERPRET DRAWING PER ANSI/ASME Y14.5M	Date: 6/26/2012 Time: 3:26:31 PM	

File: \\Den-svr4\home\mverwiebe\AltiumDesign\47-0471-01\47-0471-01_3\6703-421_3 Sheet 1.SchDoc

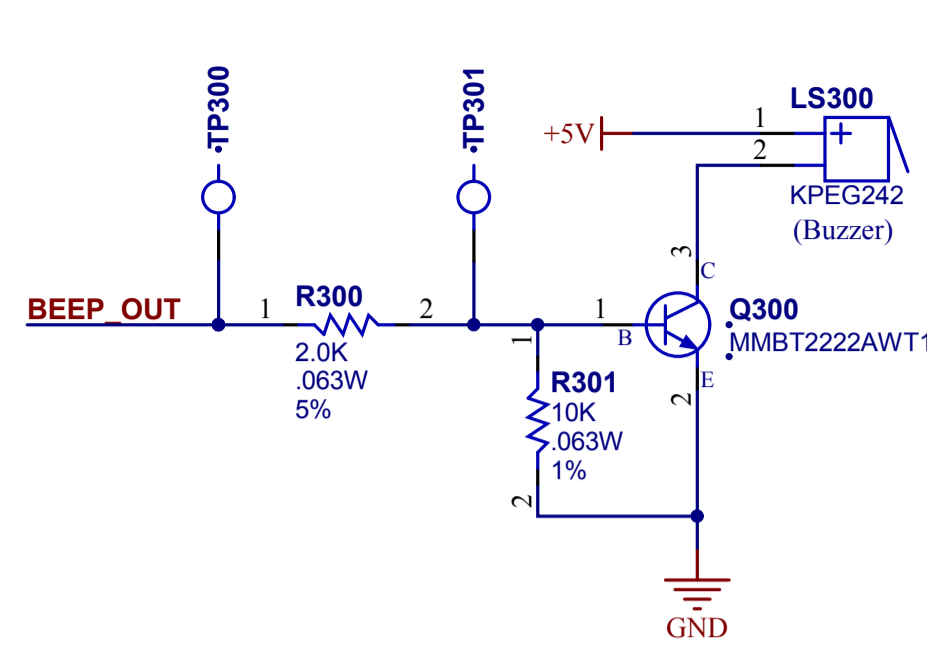


CONNECTOR FOR PIG TAIL

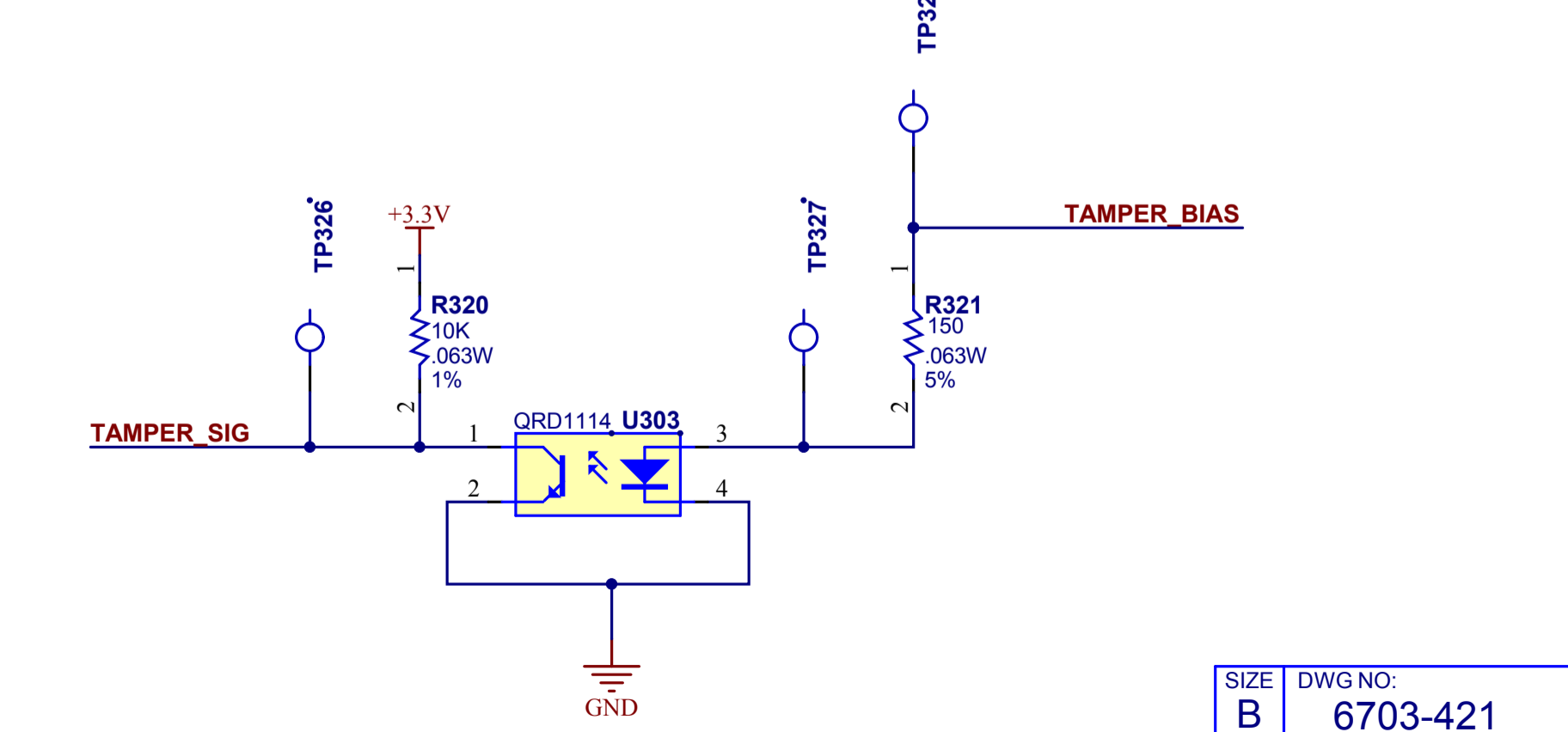
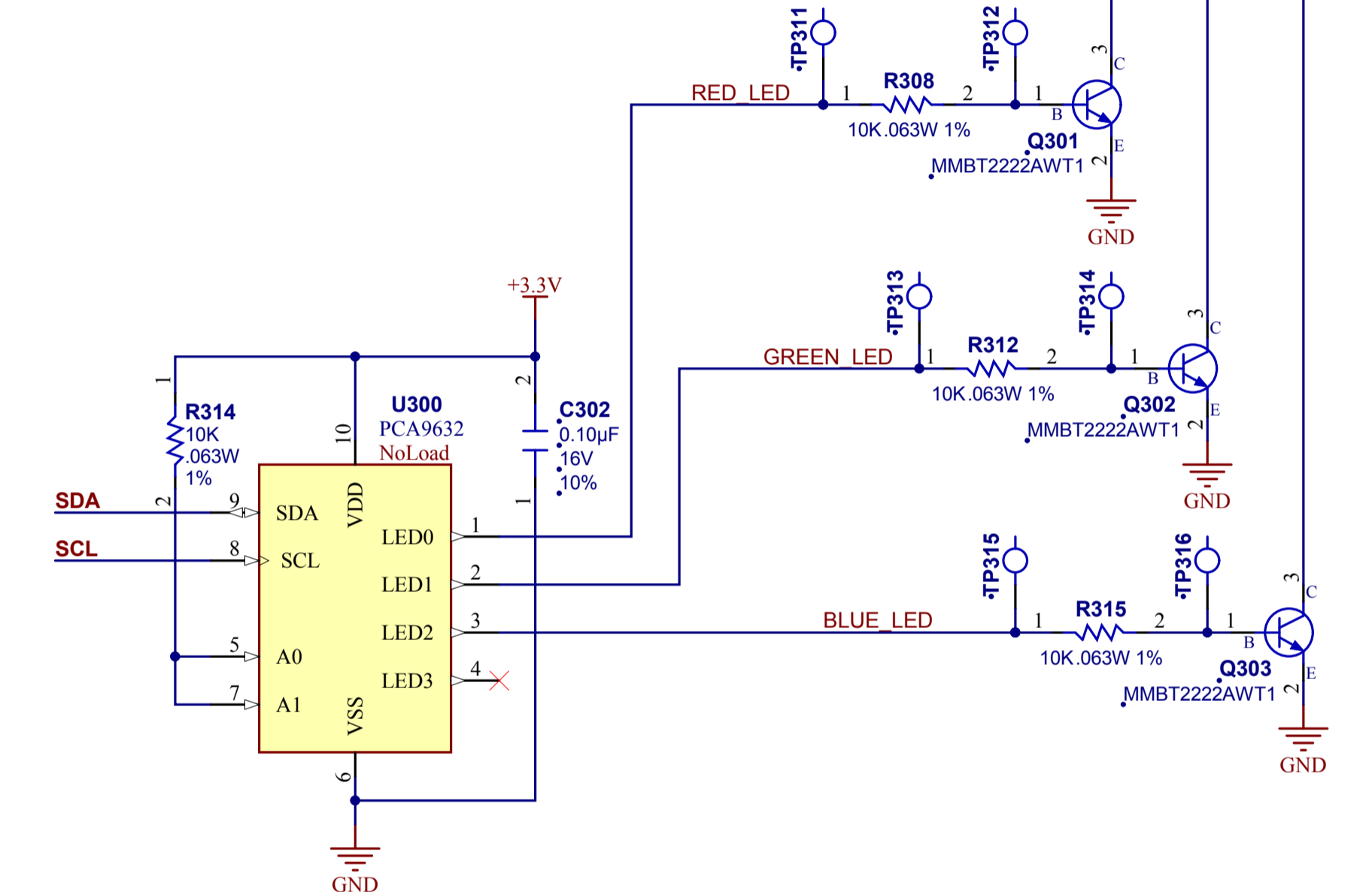
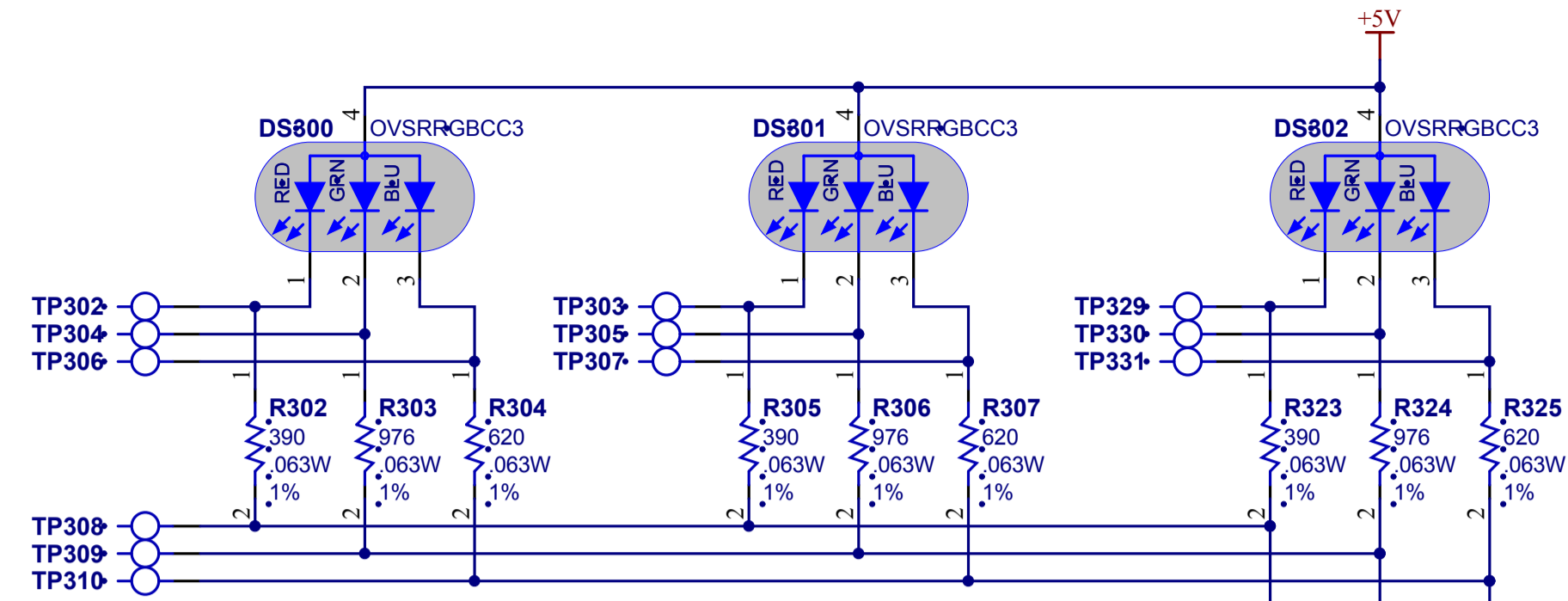
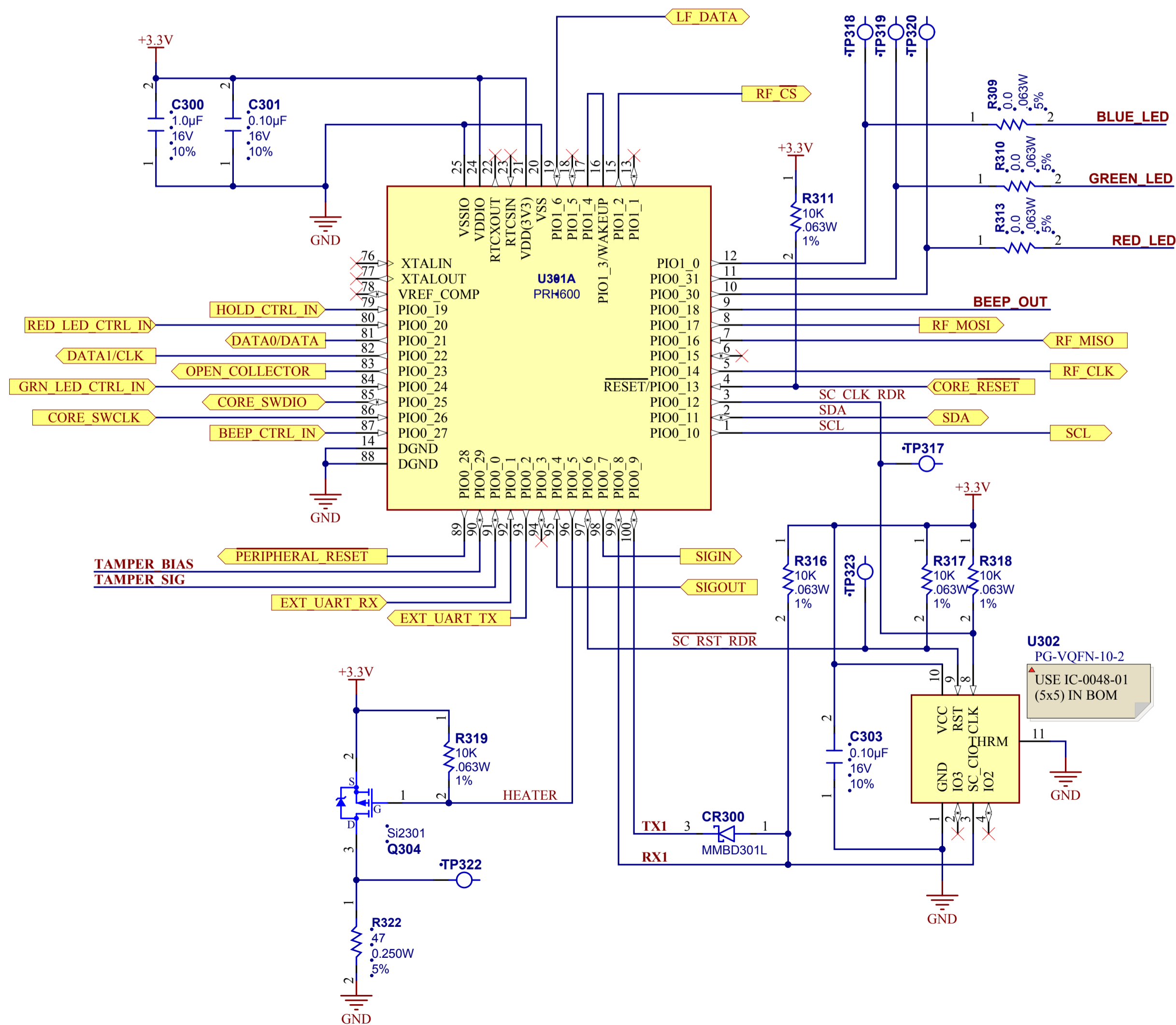
SIZE	DWG NO:	REV:
B	6703-421	3
SCALE: None	SHEET: 2 OF 6	
Date: 6/26/2012	Time: 3:26:31 PM	



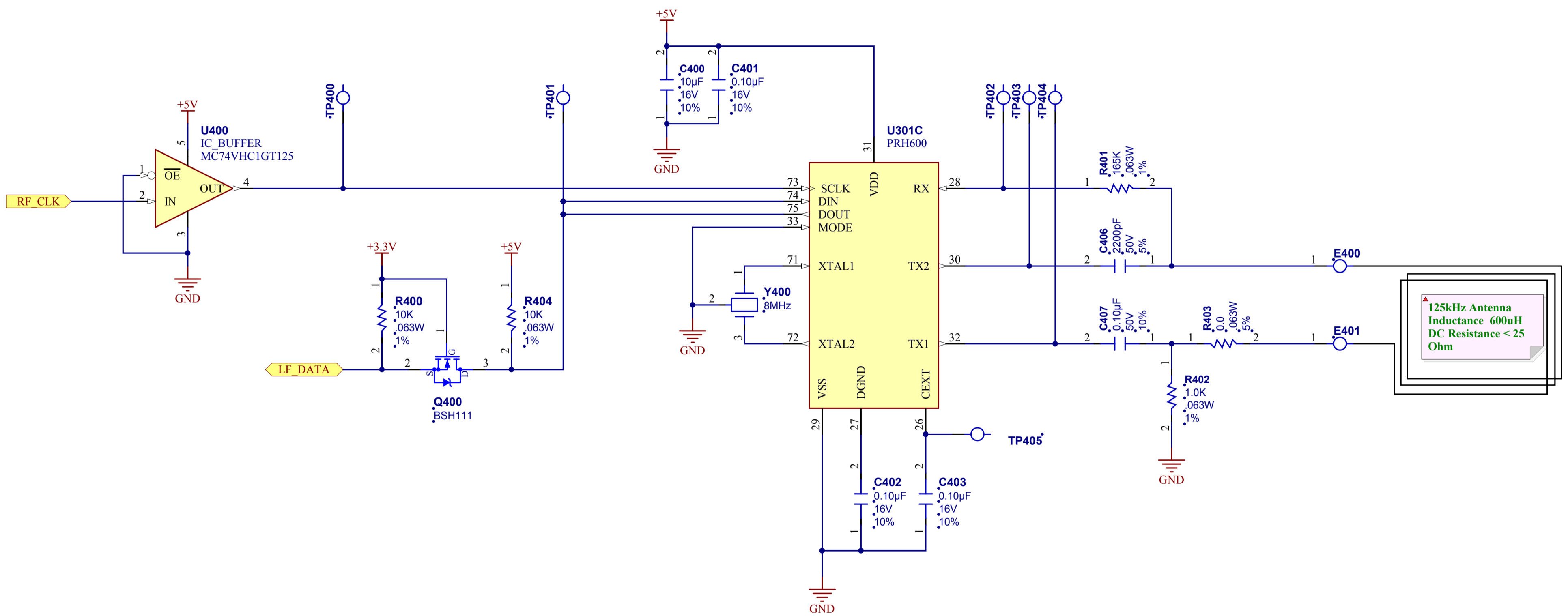
TUNING VALUES										
MODEL	C207A/B	C208A/B	C213A/B	C214A/B	C215A/B	C216A/B	R202A	R202B	R203A/B	L201A/B
R30	NoLoad	150pF	NoLoad	1000pF	NoLoad	390pF	14.3KOhm	10KOhm	0.56Ohm	1.0uH
RP30	47pF	100pF	NoLoad	1000pF	22pF	390pF	22KOhm	15KOhm	0Ohm	1.0uH



▲ PIN 16 AND 17 SHORTED TO INDICATE: NO KEYPAD FIRMWARE VERSION

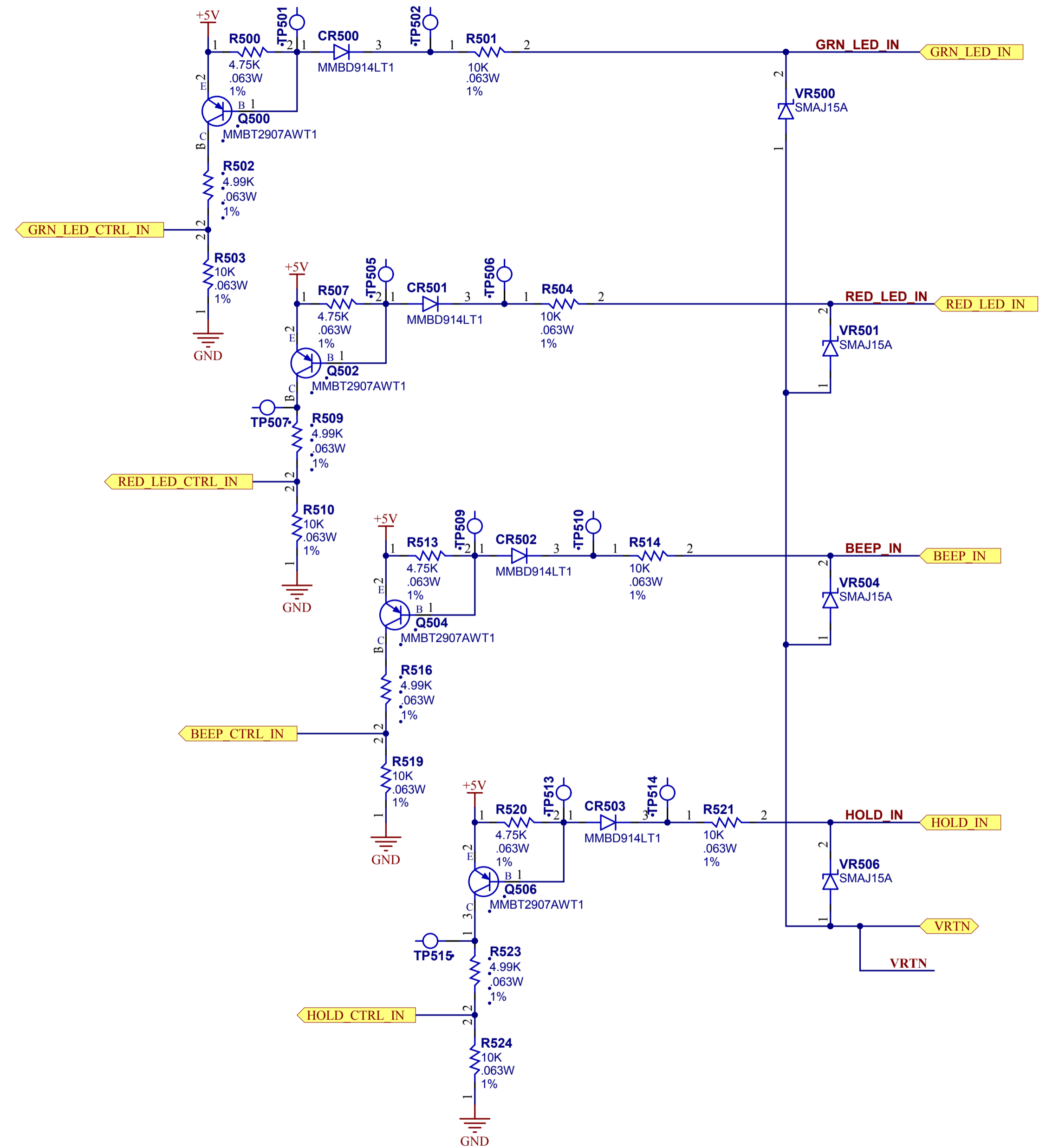
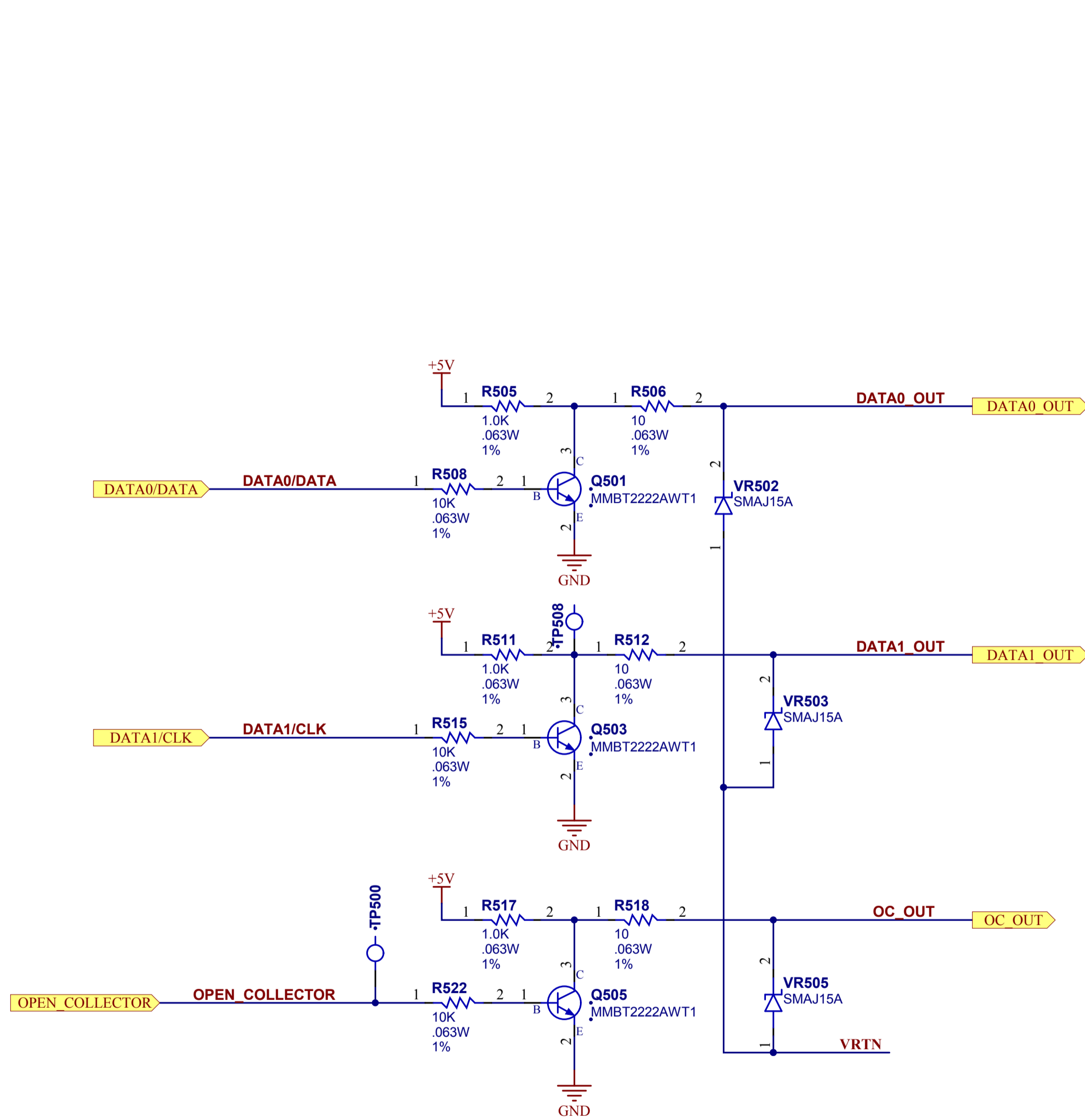


SIZE	DWG NO:	REV:
B	6703-421	3
SCALE: None	SHEET: 4 OF 6	
Date: 6/26/2012	Time: 3:26:31 PM	



125kHz Antenna
 Inductance 600uH
 DC Resistance <math>< 25\text{ Ohm}</math>

SIZE	DWG NO:	REV:
B	6703-421	3
SCALE: None	SHEET: 5 OF 6	
Date: 6/26/2012	Time: 3:26:32 PM	



SIZE	DWG NO:	REV:
B	6703-421	3
SCALE:	SHEET:	6 OF 6
Date: 6/26/2012	Time: 3:26:32 PM	