

## Switch

Please read before installing.

English

Switch  
120 V~ 50/60 Hz

Lighting Load – 8 A  
Motor Load – 1/4 HP 5.8 A

Companion Switch (for 3-way wiring)  
120 V~ 50/60 Hz 8.3 A

## Help

Use our mobile friendly self-paced installation tool:

[www.lutron.com/wiringwizard](http://www.lutron.com/wiringwizard)

Find more product information:  
[www.lutron.com/support](http://www.lutron.com/support)

- Videos
- Frequently Asked Questions
- Online Chat (8 am–5 pm EST)

### Call us:

U.S.A. | Canada | Caribbean  
1.844.LUTRON1 (588.7661) (24/7)

Mexico  
+1.888.235.2910

Others  
+1.610.282.3800

[www.lutron.com/support](http://www.lutron.com/support)

Limited Warranty:  
[www.lutron.com/TechnicalDocumentLibrary/Warranty.pdf](http://www.lutron.com/TechnicalDocumentLibrary/Warranty.pdf)

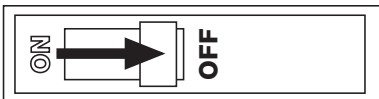
For FCC/IC information:  
Please visit: [www.lutron.com/fcc-ic](http://www.lutron.com/fcc-ic)

Lutron, Claro, and Satin Colors are trademarks or registered trademarks of Lutron Electronics Co., Inc. in the US and/or other countries.

All product names, logos, and brands are property of their respective owners.

©2021 Lutron Electronics Co., Inc.

## 1 Turn power OFF at circuit breaker



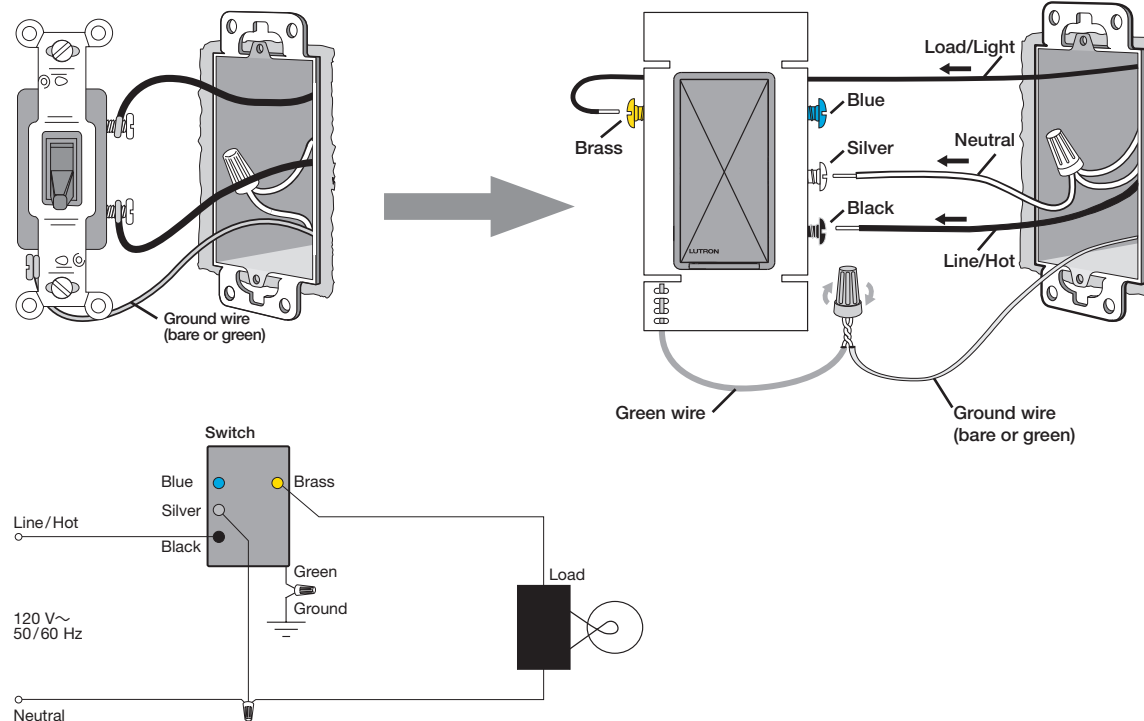
**WARNING: ELECTRIC SHOCK HAZARD.**  
May result in Serious Injury or Death. Turn off power at circuit breaker or fuse before installing.

### IMPORTANT

- CAUTION:** Use only with permanently installed fixtures with screw-in LED, self-ballasted compact fluorescent, halogen, or incandescent lamps. Use only to control the primary side of permanently installed transformer supplied low-voltage lighting, or in combination with incandescent lamps. To reduce the risk of overheating and possible damage to other equipment DO NOT use to control receptacles.
- Neutral is required for all load types.
- Install in accordance with all national and local electrical codes.
- When no "grounding means" exist within the wallbox, the NEC® 2011, Article 404.9 allows a switch without a grounding connection to be installed as a replacement, as long as a plastic, noncombustible wallplate is used. For this type of installation, twist a wire connector onto the green ground wire or remove the green ground wire on the switch and use an appropriate wallplate such as Claro or Satin Colors series wallplates by Lutron.
- Protect the switch from dust and dirt when painting or spackling the wall.
- This switch is not compatible with standard 3-way or 4-way switches. Use only with Lutron companion switches listed above.
- In any 3-way/4-way circuit use only one switch with up to 4 companion switches.
- Maximum wire length between the switch and the farthest companion switch is 150 ft (45 m).
- Operate between 32 °F and 104 °F (0 °C and 40 °C).
- It is normal for the switches to feel warm to the touch during operation.
- Clean the switch with a soft damp cloth only. Do not use any chemical cleaners. For disinfecting, please refer to App Note #758 (048758), "Cleaning Recommendations for Lutron Products" at [www.lutron.com](http://www.lutron.com).
- For indoor use only.

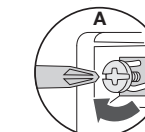
## 2 Determine wiring configuration

**2A** For lights switched from **one** location:



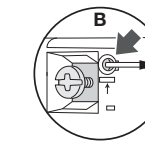
Fully wrap the wires around the screw and tighten (A), or strip insulated wires to 1/2 in (13 mm) and insert into the push-in terminals (B). Solid copper wire only.

5 in-lbs (0,55 N•m)

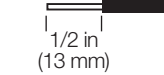


12/14 AWG  
(2.5–1.5 mm<sup>2</sup>)

OR



14 AWG ONLY  
(1.5 mm<sup>2</sup>)

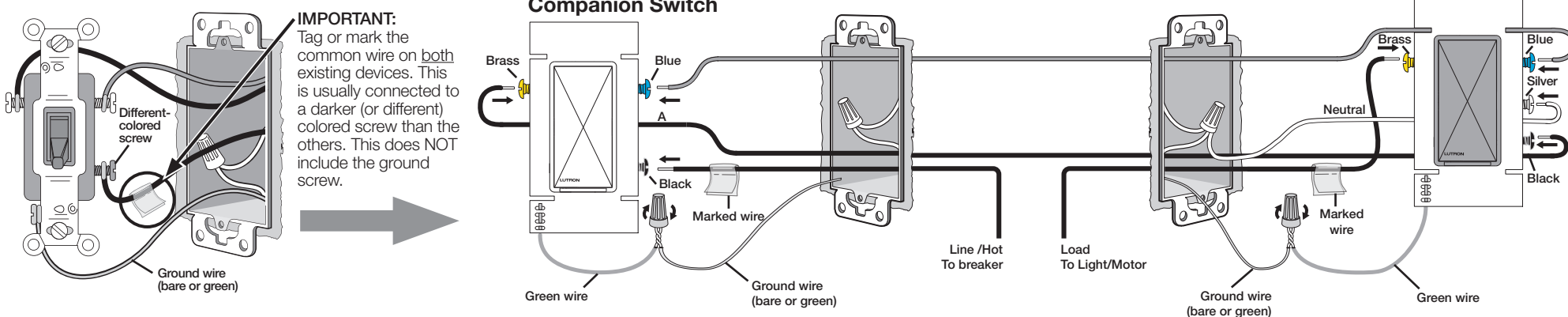


OR

**2B** For lights switched from **two** locations:

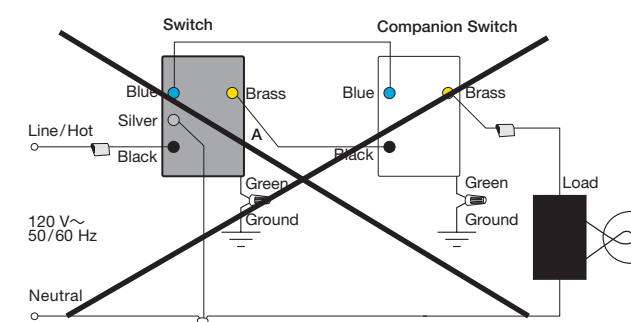
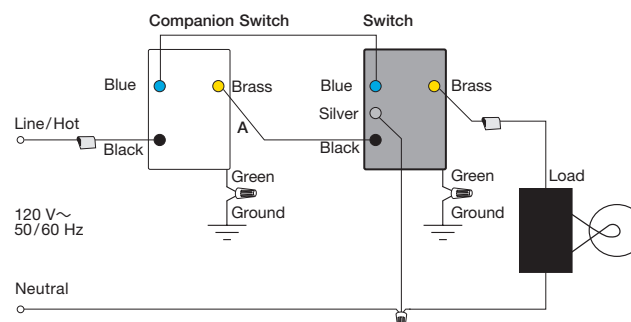
**NOTE:** Switch must be wired on the load side. Connect Neutral to the switch. Up to four companion switches may be used. For additional wiring assistance go to [www.lutron.com/wiringwizard](http://www.lutron.com/wiringwizard)

**NOTE:** Only one switch can be used per circuit.



**NOTE:** Switch MUST be on the load side.

**NOTE:** DO NOT install switch on the line side.



\*\* For more information please go to [www.lutron.com/wiringwizard](http://www.lutron.com/wiringwizard)

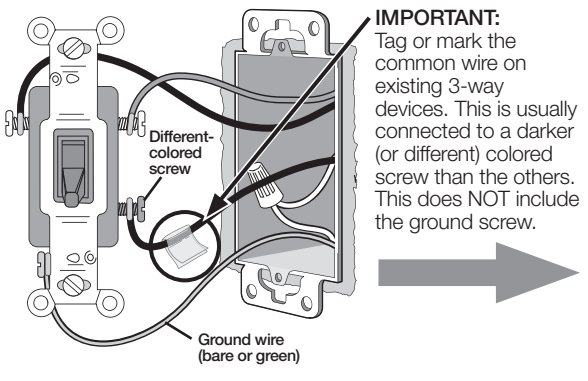
OR

(continued on next page)

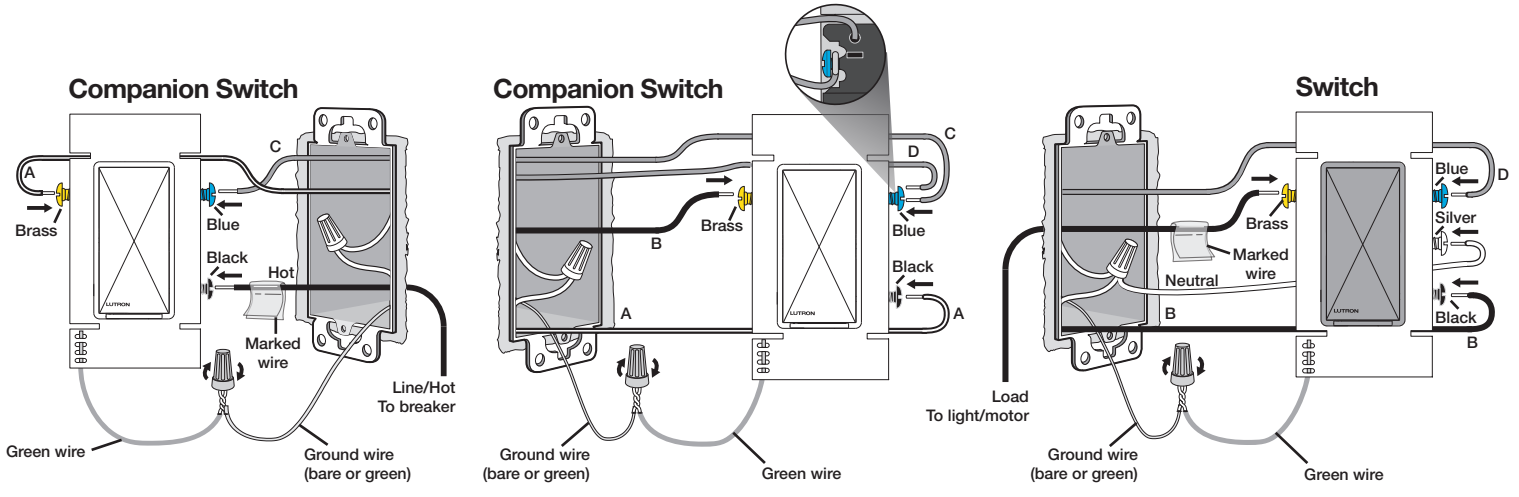
# LUTRON

**2C** For lights switched from **three or more** locations:

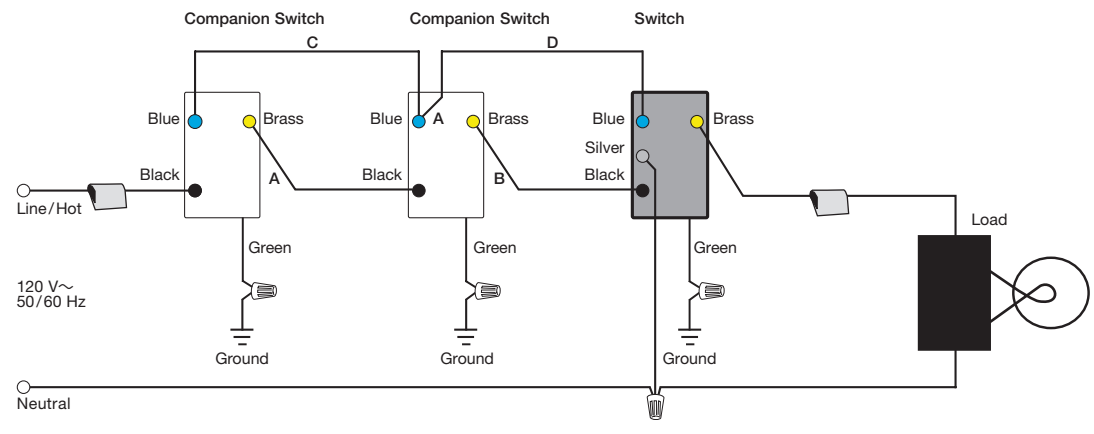
**NOTE:** Only one switch can be used per circuit.



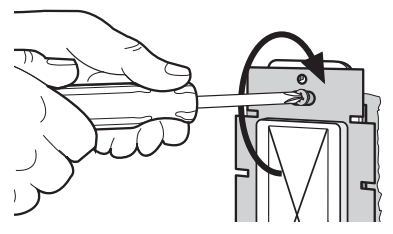
**IMPORTANT:** Tag or mark the common wire on existing 3-way devices. This is usually connected to a darker (or different) colored screw than the others. This does NOT include the ground screw.



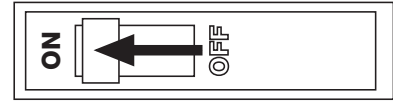
**NOTE:** Switch must be wired on the load side. Neutral has been excluded from this diagram for clarity. Connect Neutral to the switch. Up to four companion switches may be used. For additional wiring assistance go to [www.lutron.com/wiringwizard](http://www.lutron.com/wiringwizard)



### 3 Mount all devices using the provided screws and attach wallplate



### 4 Turn power ON at circuit breaker



### FCC/IC/IFT Information

This device complies with part 15 of the FCC Rules and Industry Canada license-exempt RSS standard(s). Operation is subject to the following two conditions:

- (1) This device may not cause interference, and
- (2) This device must accept any interference, including interference that may cause undesired operation. Modifications not expressly approved by Lutron Electronics Co., Inc. could void the user's authority to operate this equipment.

**NOTE:** This equipment has been tested and found to comply with the limits for a Class B digital device, pursuant to part 15 of the FCC Rules. These limits are designed to provide reasonable protection against harmful interference in a residential installation. This equipment generates, uses and can radiate radio frequency energy and, if not installed and used in accordance with the instructions, may cause harmful interference to radio communications. However, there is no guarantee that interference will not occur in a particular installation. If this equipment does cause harmful interference to radio or television reception, which can be determined by turning the equipment off and on, the user is encouraged to try to correct the interference by one or more of the following measures:

- Reorient or relocate the receiving antenna
- Increase the separation between the equipment and receiver
- Connect the equipment into an outlet on a circuit different from that to which the receiver is connected
- Consult the dealer or an experienced radio/TV technician for help.

This equipment complies with FCC/ISED radiation exposure limits set forth for an uncontrolled environment. The user should avoid prolonged exposure within 7.9 in (20 cm) of the antenna, which may exceed FCC/ISED radio frequency exposure limits.

This Class B digital apparatus complies with Canadian ICES-003.