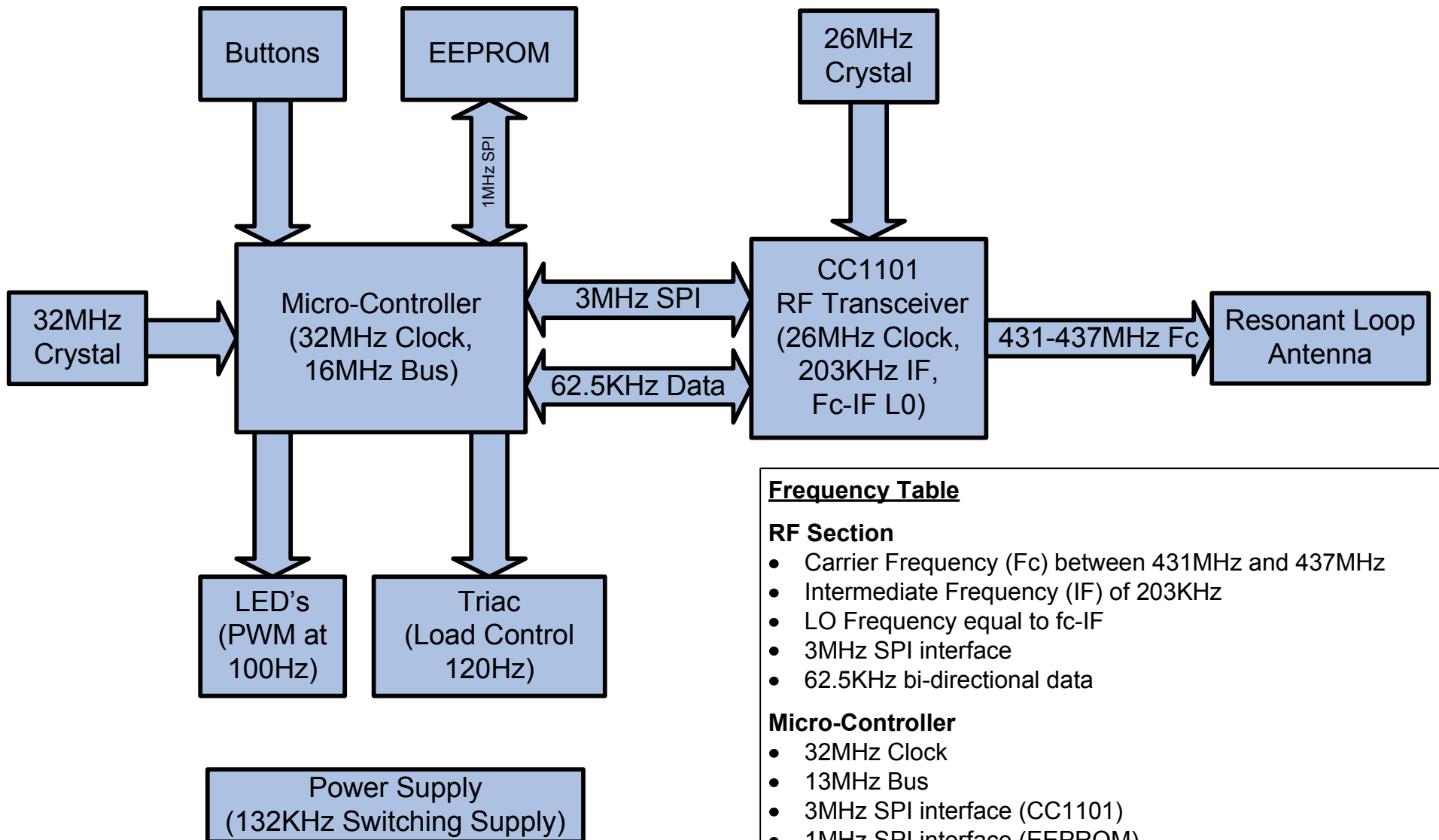


RRD-Hx Block Diagram

**Frequency Table****RF Section**

- Carrier Frequency (Fc) between 431MHz and 437MHz
- Intermediate Frequency (IF) of 203KHz
- LO Frequency equal to $f_c - IF$
- 3MHz SPI interface
- 62.5KHz bi-directional data

Micro-Controller

- 32MHz Clock
- 13MHz Bus
- 3MHz SPI interface (CC1101)
- 1MHz SPI interface (EEPROM)
- 62.5KHz bi-directional data
- 100Hz PWM signal for LED intensity control
- 120Hz Triac control signal for load control

Power Supply

- 132KHz Switching signal