

Stanza™

SZ-CI-USB-CPN5138
USB Interface
PELV (Class 2: USA) Device
5 V $\overline{=}$ 60 mA

FCC Information
Changes or modifications not expressly approved by Lutron Electronics Co. could void the user's authority to operate this equipment.
NOTE: This equipment has been tested and found to comply with the limits for a Class B digital device, pursuant to Part 15 of the FCC rules. Operation is subject to the following: (1) This device may not cause harmful interference, and (2) this device must accept any interference received, including interference that may cause undesired operation.

Installation Instructions

Occupant Copy Please Read

Features

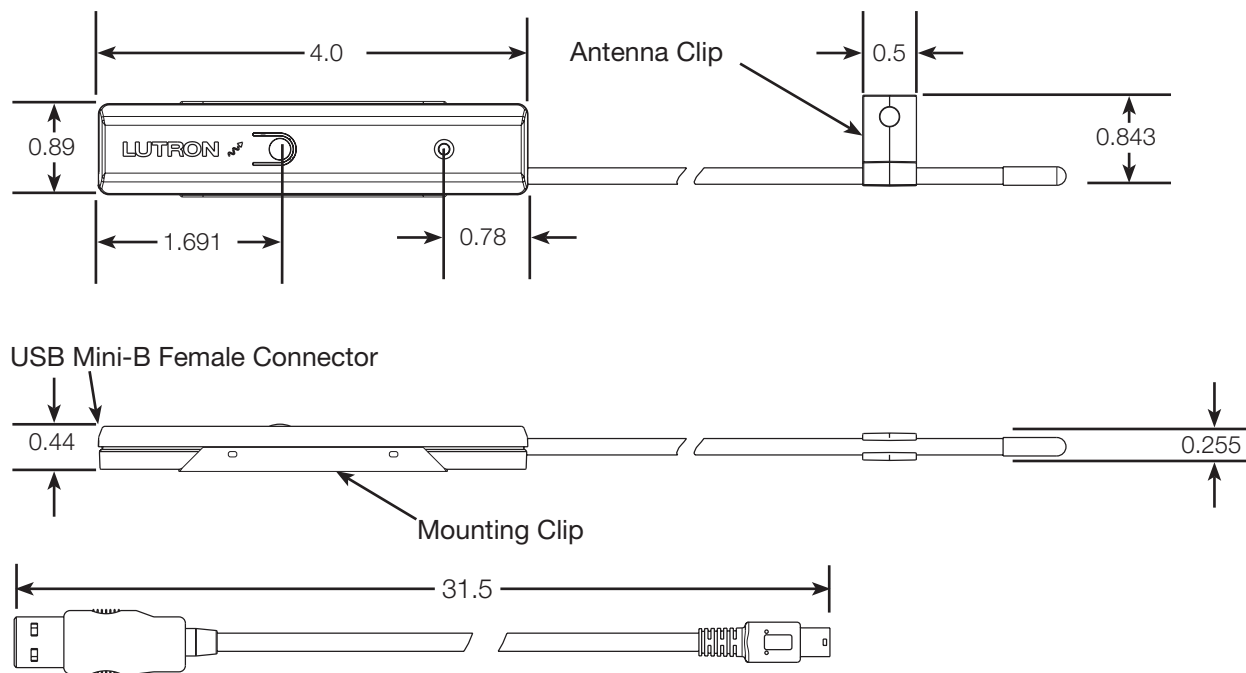
- Integrates a Stanza guest room lighting control system with a PC or other digital equipment that supports USB devices.
- Provides a basic serial string command set that allows a PC to monitor and control lighting.
- Programmed and commissioned by a SZ-CI-PRG Programming Control Interface.
- Should not be used in "Advanced" systems with a permanently installed SZ-CI-PRG.
- Wireless connection allows easy mounting near integration device.

Mounting

1. Secure the provided mounting clip to a flat, clean surface with the double-sided tape on the clip. Then secure the USB interface in the mounting clip.
2. Connect the provided USB cable from the device to the 3rd party equipment.
3. Use provided antenna clip and double-sided tape to securely mount the antenna.
4. Mount in an accessible location for convenient access to the programming button, LED, and USB cable.
5. The unit cannot be mounted in a full metal enclosure or between two metal surfaces.
6. When mounting, provide sufficient space for the antenna and USB cable.

Dimensions

Dimensions are in inches.



FCC Information

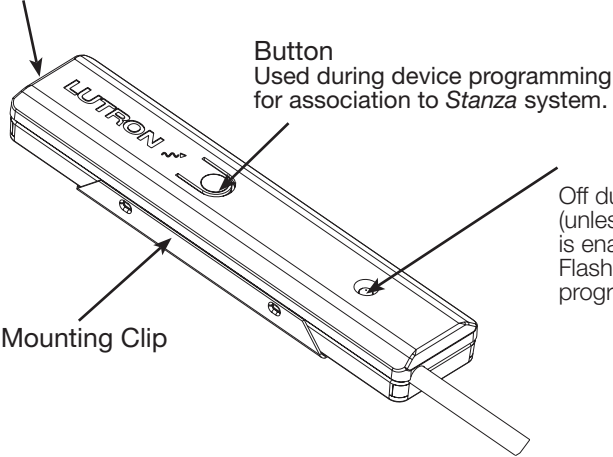
Note: This equipment has been tested and found to comply with the limits for a Class B digital device, pursuant to Part 15 of the FCC rules. These limits are designed to provide reasonable protection against harmful interference in a residential installation. This equipment generates, uses, and can radiate radio frequency energy and, if not installed and used in accordance with the instructions, may cause harmful interference to radio or television reception. However, there is no guarantee that interference will not occur in a particular installation. If this equipment does cause harmful interference to radio or television reception, which can be determined by turning the equipment off and on, the user is encouraged to try to correct the interference by one or more of the following measures:

- Reorient or relocate the receiving antenna.
- Increase the separation between the equipment and receiver.
- Connect the equipment into an outlet on a circuit different from that to which the receiver is connected.
- Consult the dealer or an experienced radio/TV technician for help.

Caution: Changes or modifications not expressly approved by Lutron Electronics Co. could void the user's authority to operate this equipment. Operation is subject to the following: (1) This device may not cause harmful interference, and (2) this device must accept any interference received, including interference that may cause undesired operation.

Device Operation

USB Mini-B Female Connector



Button
Used during device programming
for association to *Stanza* system.

LED
Off during normal operation
(unless TX/RX monitoring
is enabled).
Flashes Orange during
programming mode.

Mounting Clip

Troubleshooting

Symptom	Cause and Action
Device does not address to system.	Device not powered <ul style="list-style-type: none"> • Connecting equipment is not powered • USB port on connecting equipment not powered
	Device out of RF range <ul style="list-style-type: none"> • Ensure device is within 30 ft (9 m) of <i>Stanza</i>™ device configured as a repeater
	Device is programmed to another system <ul style="list-style-type: none"> • Contact Lutron Technical Support for details on how to factory default the device
COM port cannot be established with device	Device not powered <ul style="list-style-type: none"> • Connecting equipment is not powered • USB port on connecting equipment not powered
	Virtual COM port is set up incorrectly <ul style="list-style-type: none"> • See the Lutron Integration Protocol guide for proper COM port settings
Device does not respond to integration commands	Virtual COM port is set up incorrectly <ul style="list-style-type: none"> • See the Lutron Integration Protocol guide for proper COM port settings
	Device is not programmed to system <ul style="list-style-type: none"> • Ensure device was addressed to an existing <i>Stanza</i> system
	Incorrect integration commands <ul style="list-style-type: none"> • Ensure that the proper commands and integration IDs are being used
Stanza™ system devices do not respond to issued integration commands	Device out of RF range <ul style="list-style-type: none"> • Ensure device is within 30 ft (9 m) of <i>Stanza</i> device configured as a repeater
	Incorrect integration commands <ul style="list-style-type: none"> • Ensure that the proper commands and integration IDs are being used
Device does not monitor system changes	Virtual COM port is set up incorrectly <ul style="list-style-type: none"> • See the Lutron Integration Protocol guide for proper COM port settings
	Device is not programmed to system <ul style="list-style-type: none"> • Ensure device was addressed to an existing <i>Stanza</i> system
	Device out of RF range <ul style="list-style-type: none"> • Ensure device is within 30 ft (9 m) of <i>Stanza</i> device configured as a repeater
	Monitoring disabled <ul style="list-style-type: none"> • See the Lutron Integration Protocol guide for disabling/enabling monitoring

Internet: www.lutron.com/stanza e-mail: product@lutron.com

Technical support: USA, Canada, Caribbean: 1.800.523.9466
Mexico: +1.888.235.2910
Central/South America: +1.610.282.6701

Warranty: 1-year limited warranty standard. 2-year parts and labor warranty, with 8-year pro-rated parts replacement on systems that include factory startup.

For complete warranty details, see the Start-Up/Warranty document provided with your *Stanza* system specification submittal information.

Lutron and the sunburst logo are registered trademarks and *Stanza* is a trademark of Lutron Electronics Co., Inc. © 2010 Lutron Electronics Co., Inc.

Lutron Electronics Co., Inc.
Made and printed in U.S.A.
P/N 040-361 Rev. A 04.21.10

