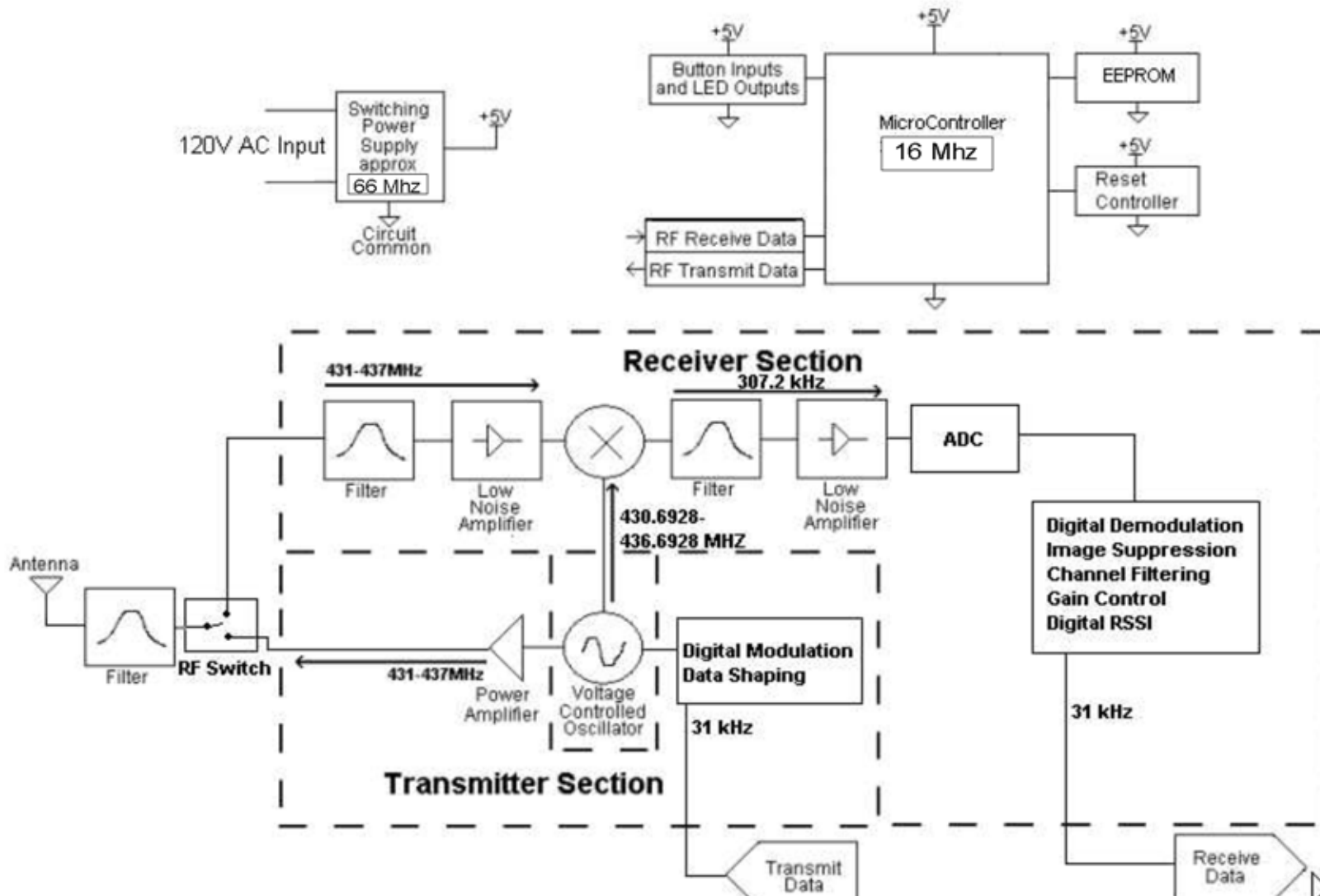


Block Diagram

March 19, 2010



F 961
I 831