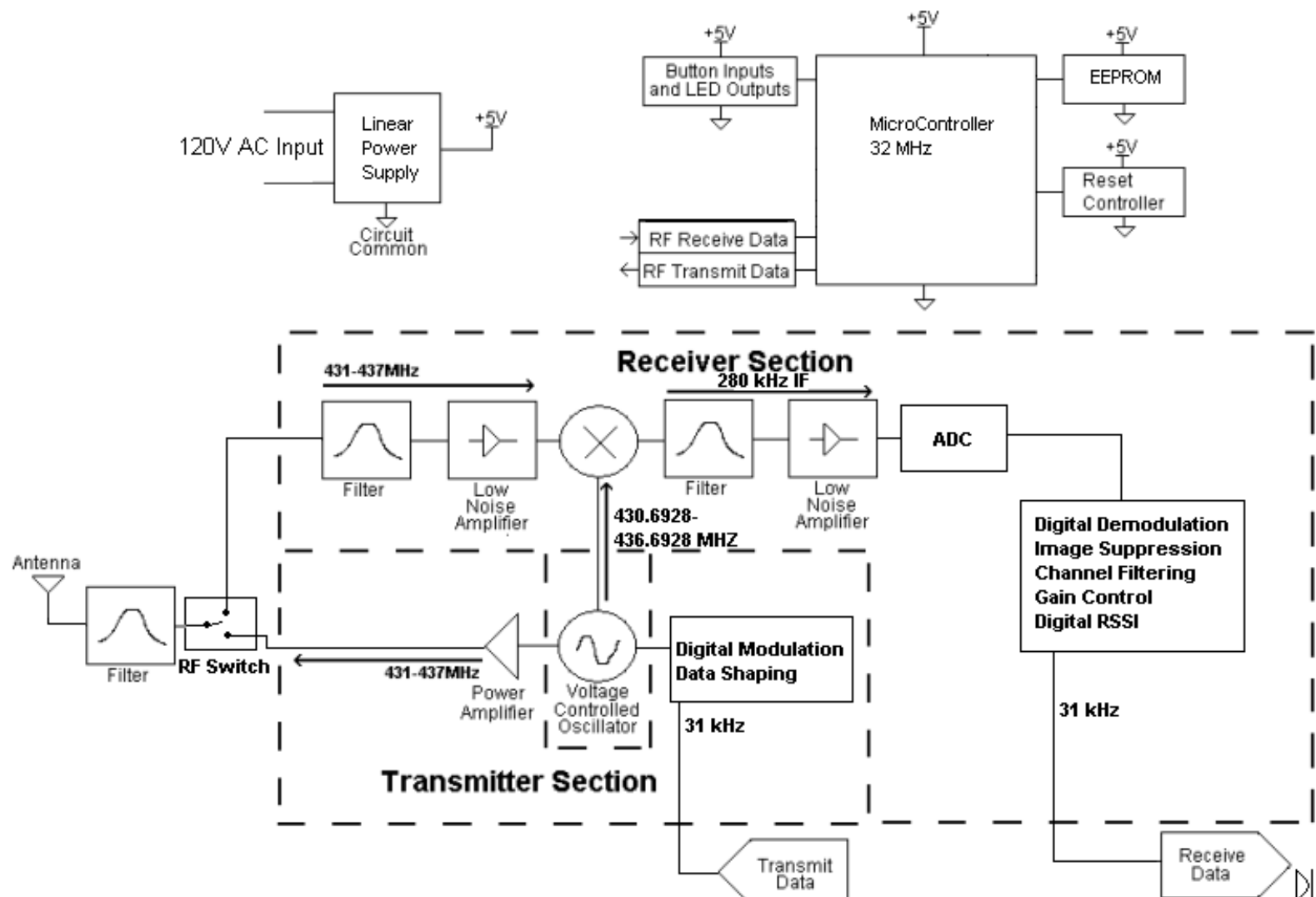


# Block Diagram

April, 2006



F 917  
I 919