



HOMEWORKS

Installation Instructions

Please Read Before Installing

RF Signal Repeater

HR-REP-SW

120/127VAC, 50/60Hz (DC Adapter)

Overview

The *HomeWorks* RF Signal Repeater provides additional coverage area for Radio Frequency (RF) signals sent between *HomeWorks* RF Dimmers/Switches, and RF Keypads. Each RF Signal Repeater covers approximately 2500 square feet (232m²) of living space.

Codes: Install in accordance with all local and national electrical codes.

Environment: Ambient operating temperature: 0-40°C, 32-104°F, 0-90% humidity, non-condensing. Indoor use only.

Cleaning: *Clean with a soft damp cloth only.* Do not use any chemical or abrasive cleaners.

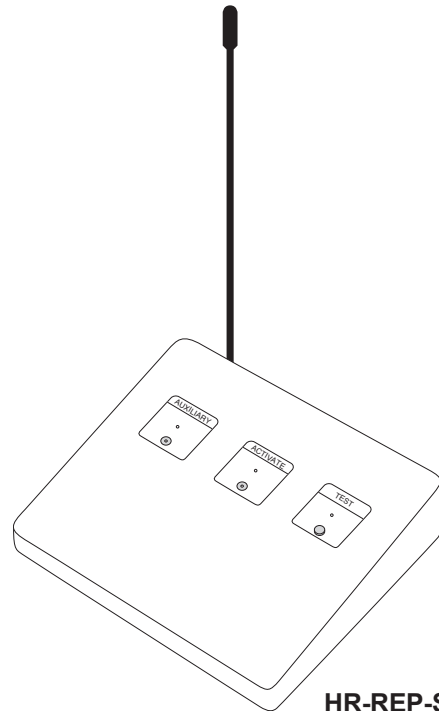
RF Device Placement: RF Signal Repeaters must be located within 60 feet (18m) of an RF Processor or another RF Signal Repeater.

Power: Use only the DC adapter provided by Lutron with your unit (Lutron model # T120-9DC-3-WH).



Caution - Using a DC adapter not rated at the following specifications could damage the control and possibly overheat the DC adapter.

- Input: AC 120/127V 50/60Hz
- Output: DC 9V/300mA Class 2



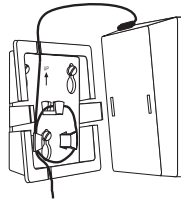
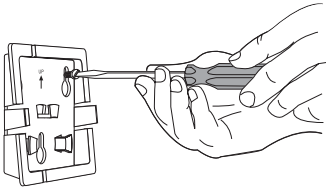
HR-REP-SW

Optional Wall Mounting

RF Signal Repeaters may be wall mounted using the supplied wall bracket.

Attach wall bracket to wall using the supplied screws and wall anchors.

Wrap excess DC Adapter cord around the cord holder. Align Repeater and snap onto wall bracket.



DC Adapter Installation

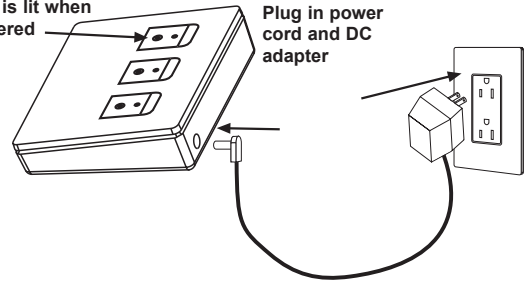
1. Find a suitable location for the RF Signal Repeater.

Place the Repeater in a convenient and accessible location. **Note:** RF Signal Repeaters should be located within 60 feet (18m) of another RF Signal Repeater or an RF Processor.

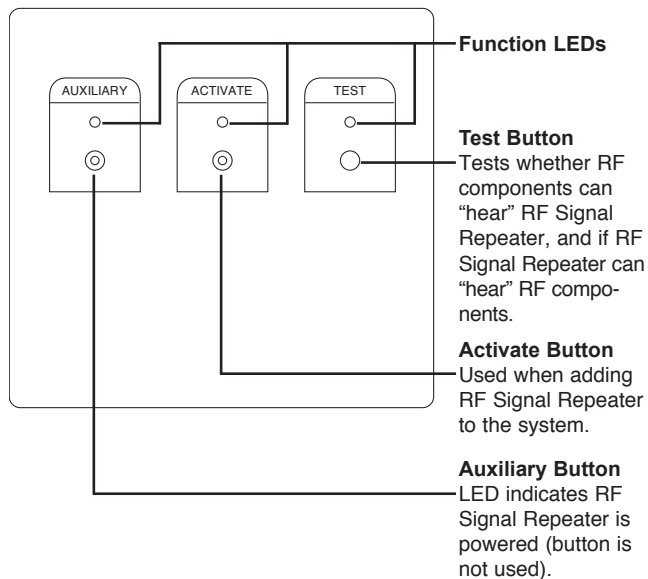
2. Apply power to the RF Signal Repeater.

Verify Auxiliary LED is lit when powered

Plug in power cord and DC adapter

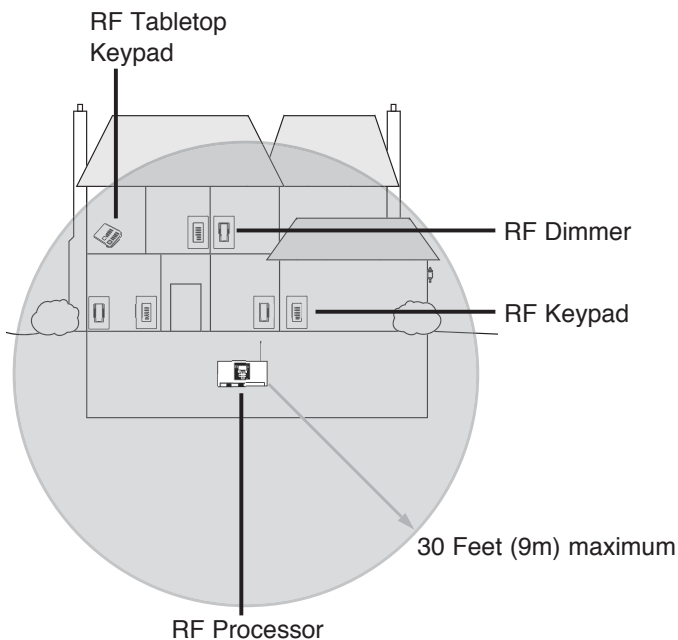


Operation



System Communications

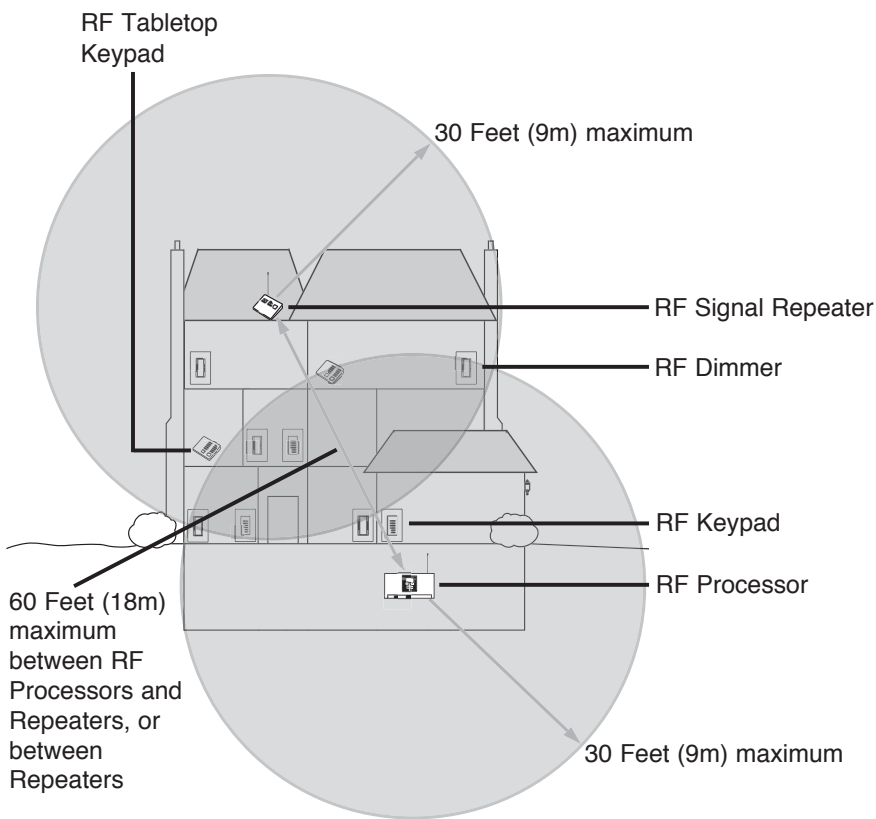
Home A: 2500 sq. ft. (232m²) or less - all RF devices within 30' (9m) of RF Processor



Notes

- RF Dimmers and Keypads must be located within 30 feet (9m) of an RF Signal Repeater or an RF Processor. Multiple repeaters may be necessary to provide adequate coverage.
- RF Dimmers cannot be controlled by the system and RF Keypads do not function until they are addressed and programmed. See the *HomeWorks* Utility online help.

Home B: 2500 sq. ft. (232m²) or greater - some RF devices more than 30' (9m) from RF Processor



HomeWorks® Interactive RF Signal Repeater Troubleshooting

Symptom	Cause and Action
Repeater appears not to be working.	No power available to unit. <ul style="list-style-type: none">• Faulty power supply. Replace power supply. Repeater not programmed. <ul style="list-style-type: none">• Refer to the <i>HomeWorks</i> Utility online help for programming instructions.
Orange Auxiliary LED is flashing.	Repeater is out of system communication range. <ul style="list-style-type: none">• Move repeater to within 60 feet (18m) of the RF Processor or another repeater.

FCC Information

Note: This equipment has been tested and found to comply with the limits for a Class B digital device, pursuant to Part 15 of the FCC rules. These limits are designed to provide reasonable protection against harmful interference in a residential installation. This equipment generates, uses and can radiate radio frequency energy and, if not installed in accordance with the instructions, may cause harmful interference to radio communications. However, there is no guarantee that interference will not occur in a particular installation. If this equipment does cause harmful interference to radio or television reception, which can be determined by turning the equipment off and on, the user is encouraged to try to correct the interference by one or more of the following measures:

- Reorient or relocate the receiving antenna.
- Increase the separation between the equipment and receiver.
- Connect the equipment into an outlet on a circuit different from that to which the receiver is connected.
- Consult the dealer or an experienced radio/TV technician for help.

Caution: Changes or modifications not expressly approved by Lutron Electronics Co. could void the user's authority to operate this equipment.

Industry Canada Information

The term "IC:" before the radio certification number only signifies that Industry Canada technical specifications were met.

Technical and Sales Assistance

If you need assistance, call the toll-free **Lutron Technical Support Center**. Please provide exact model number when calling.

(800) 523-9466 (U.S.A., Canada and the Caribbean)

Other countries call:

Tel: (610) 282-3800

Fax: (610) 282-3090

Visit our Web site at www.lutron.com

LIMITED WARRANTY

Lutron will, at its option, repair or replace any unit that is defective in materials or manufacture within two years after purchase. After the two year period, a pro-rated warranty applies to this product until eight years after the purchase. For warranty service, return unit to place of purchase or mail to Lutron at 7200 Suter Rd., Coopersburg, PA 18036-1299, postage prepaid. Telephone the Lutron Technical Support Center toll free at 800-523-9466. For more information regarding this warranty contact your Lutron representative.

THIS WARRANTY IS IN LIEU OF ALL OTHER EXPRESS WARRANTIES, AND THE IMPLIED WARRANTY OF MERCHANTABILITY IS LIMITED TO TWO YEARS FROM PURCHASE. THIS WARRANTY DOES NOT COVER THE COST OF INSTALLATION, REMOVAL OR REINSTALLATION, OR DAMAGE RESULTING FROM MISUSE, ABUSE, OR IMPROPER OR INCORRECT REPAIR, OR DAMAGE FROM IMPROPER WIRING OR INSTALLATION. THIS WARRANTY DOES NOT COVER INCIDENTAL OR CONSEQUENTIAL DAMAGES. LUTRON'S LIABILITY ON ANY CLAIM FOR DAMAGES ARISING OUT OF OR IN CONNECTION WITH THE MANUFACTURE, SALE, INSTALLATION, DELIVERY, OR USE OF THE UNIT SHALL NEVER EXCEED THE PURCHASE PRICE OF THE UNIT. This warranty gives you specific legal rights, and you may also have other rights which vary from state to state. Some states do not allow limitations on how long an implied warranty lasts, so the above limitation may not apply to you. Some states do not allow the exclusion or limitation of incidental or consequential damages, so the above limitation or exclusion may not apply to you. This product may be covered by one or more of the following U.S. patents: 4,835,343; 5,736,965; 5,838,226; 5,848,054; 5,905,442; 5,982,103; DES 389,805; DES 404,013 and corresponding foreign patents. U.S. and foreign patents pending. Lutron and HomeWorks are registered trademarks of Lutron Electronics Co., Inc.
© 2002 Lutron Electronics Co., Inc.