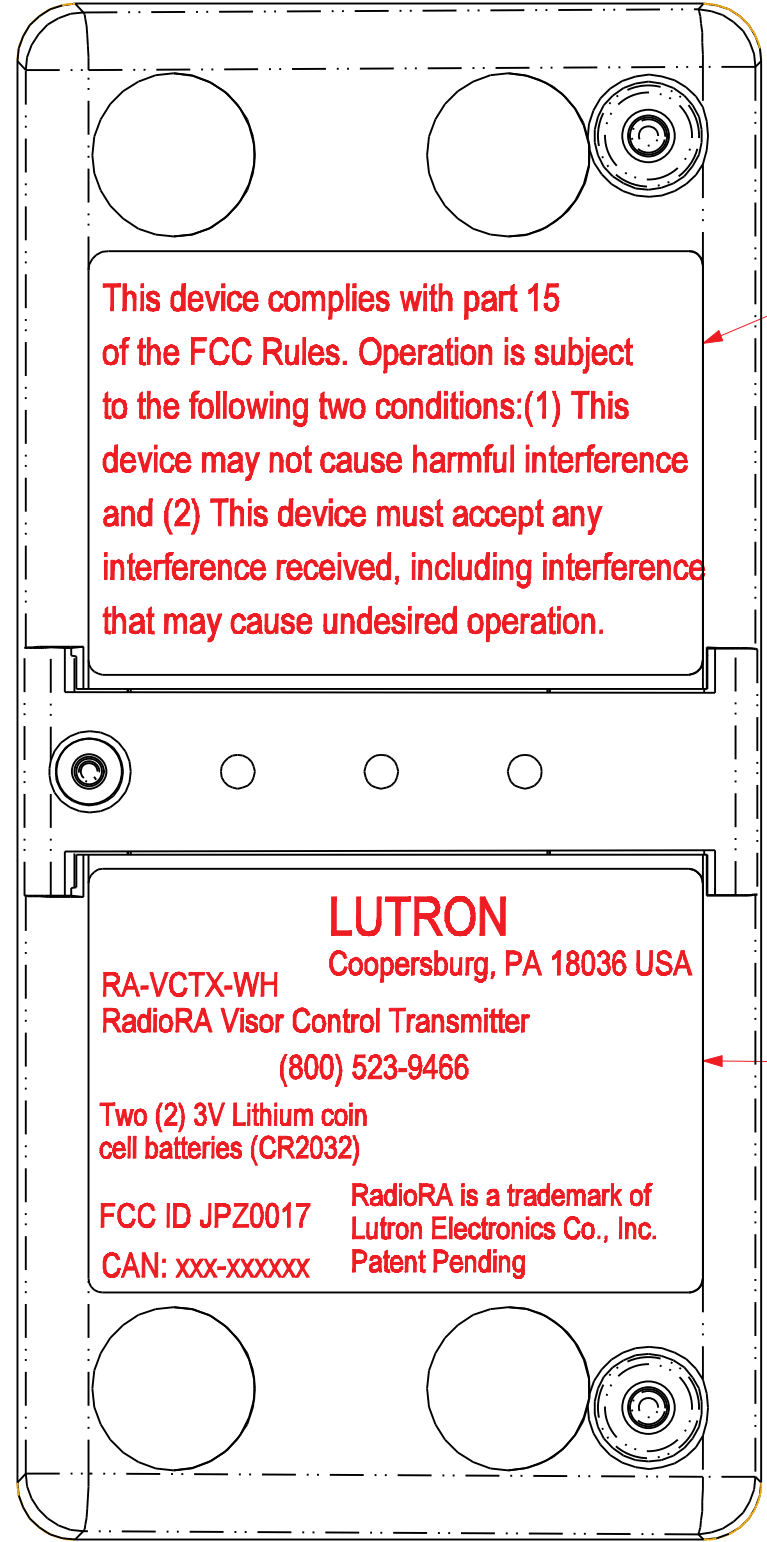
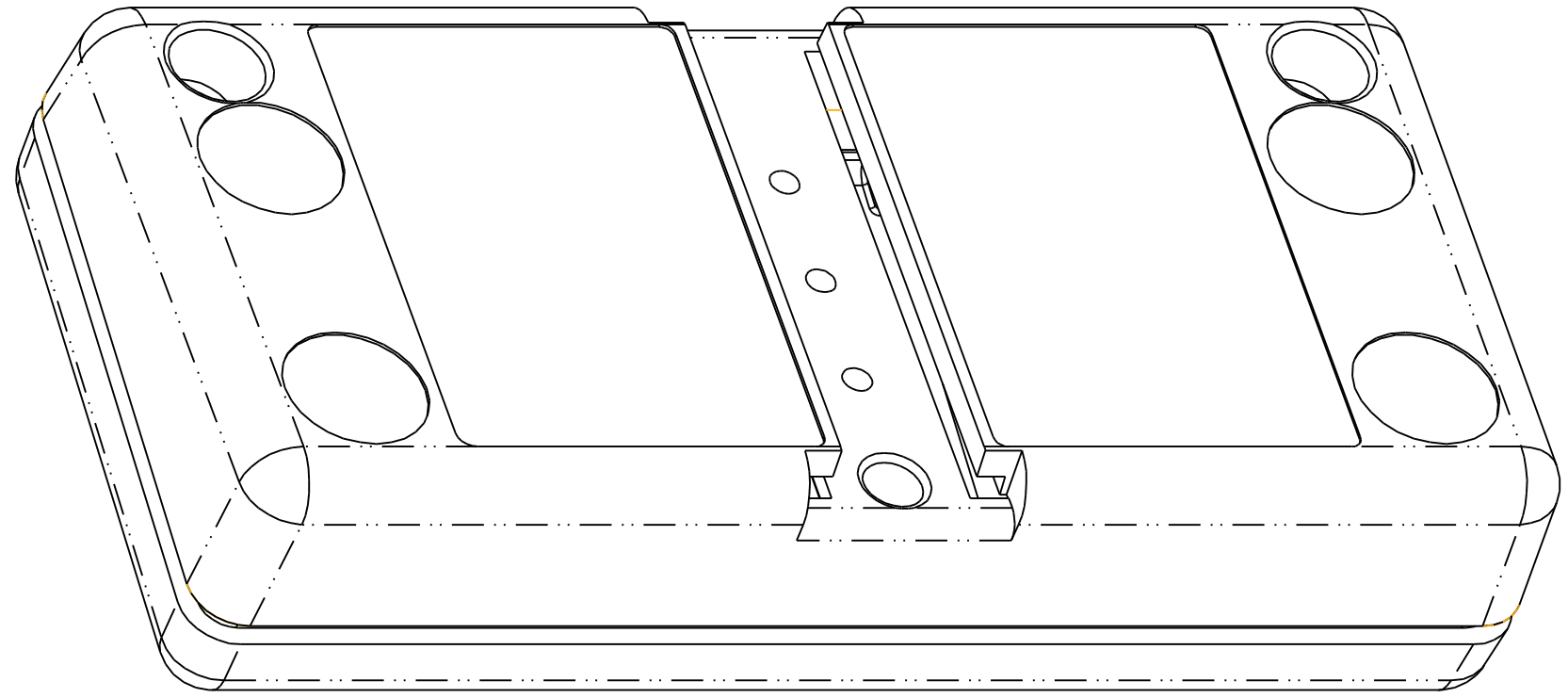


REV	ZONE	DESCRIPTION	DATE	BY	APP
1		PRELIMINARY RELEASE	8/22/01		
2		UPDATED FCC ID NUMBER	8/28/01		



FCC label

Unit label



PRO/ENGINEER DRAWING - CHANGES SHALL BE INCORPORATED BY LUTRON	ISSUE CODE	<b>LUTRON ELECTRONICS CO., INC.</b>	
TOLERANCE UNLESS SPECIFIED - DO NOT SCALE ALL DIMS IN IN - (3) DIMS IN MM DECIMAL (3PL) ±.005 (2PL) ±.010 FRACTION ±1/32 ANGULAR ±1/2 DEG HOLE +.003/- .001	SF	7200 SUTER ROAD COOPERSBURG, PA 18036 610 282 3800	
THIS DOCUMENT AND THE INFORMATION CONTAINED HEREIN ARE CONFIDENTIAL AND PROPRIETARY TO LUTRON ELECTRONICS CO., INC. UNAUTHORIZED POSSESSION OR USE OF THIS DOCUMENT OR THE INFORMATION CONTAINED HEREIN IS PROHIBITED. NO REPRODUCTION MAY BE MADE OF THIS DRAWING WITHOUT THE EXPRESS WRITTEN PERMISSION OF LUTRON ELECTRONICS CO., INC. COPYRIGHT (c) 1999 LUTRON ELECTRONICS CO., INC. ALL RIGHTS RESERVED.	QC	TITLE: Visor Control TX labels	
THIRD ANGLE PROJECTION		PART NO: XXX-XXXX	PREPARED BY: T. HIBSHMAN
		SIZE: B	SHEET 2 OF 2
		SCALE: 5:2	