

User's Manual (instruction sheet)

RadiORA® Wireless Central Lighting Control Instructions for Cordless Table Top Master Control

**Cordless Table Top Master Control
RAMC-10C, RBMC-10C**

Batteries: 2 AAA Alkaline 1.5V

Please Leave for Occupant

Read all instructions completely before installation.

Table of Contents

Operation
Using the Cordless Master Control and programming notes.



NOTE:

- Press any button to "wake up" the Cordless Master Control.
- "Wake Up" the Cordless Master Control before starting any of the programming steps in the RadiORA Setup Guide.
- Batteries included.

Cordless Master Control Battery Replacement
Installing and replacing the batteries.



Wall Mount Bracket Installation
Mounting the optional wall bracket.



Troubleshooting
Troubleshooting guide on back.



Important Notes

1. Use only high quality alkaline batteries, size AAA, 1.5V. Using improperly rated batteries could damage the Cordless Master Control.
2. Clean control with a soft damp cloth only. Do not use any chemical cleaners.
3. Operate in ambient temperatures between 0°C (32°F) and 40°C (104°F).
4. Do not paint controls or wallplates.
5. The range and performance of the RadiORA System is highly dependent on a variety of complex factors such as:
 - Distance between system components
 - Geometry of the home
 - Construction of walls separating system components
 - Electrical equipment located near system components

Troubleshooting

Symptom	Possible Cause	Solution
After "wake up", additional button presses cause Master Control to flash all its LEDs simultaneously.	• Master Control is not programmed into the system.	• See Activating Controls in the RadiORA Setup Guide.
LED's cycle up and down during "wake up" but the system lights do not respond to additional button presses.	• Master Control is out of system range. • Button being pressed has not been programmed.	• Move to within 30 feet of a system repeater. • See ROOMSCENE Button Programming in the RadiORA Setup Guide.
Master Control will not "wake up" when a button is pressed.	• Dead, low, or no batteries in Master Control. • Batteries are incorrectly installed.	• Replace batteries. • Install batteries as indicated inside the Master Control.
Master Control "wakes up" but goes to "sleep" quickly after a button press.	• Batteries are not making contact with the battery terminals. • Batteries are low.	• Adjust batteries so they make contact with the terminals. • Replace batteries.

FCC Information

NOTE: This equipment has been tested and found to comply with the limits for a Class B digital device, pursuant to part 15 of the FCC rules. These limits are designed to provide reasonable protection against harmful interference in a residential installation. This equipment generates, uses and can radiate radio frequency energy and, if not properly installed and used, may cause harmful interference to radio communications. However, there is no guarantee of interference in all installations. If you experience interference, you are encouraged to try to correct the interference by one or more of the following measures:

- Reorient or relocate the receiving antenna.
- Increase the separation between the equipment and receiver.
- Connect the equipment into an outlet on a circuit different from that to which the receiver is connected.
- Consult the dealer or an experienced radio/TV technician for help.

Cautions: Changes or modifications not expressly approved by Lutron Electronics Co. could void the user's authority to operate this equipment.

Worldwide Technical and Sales Assistance

If you have questions concerning the installation or operation of this product, call the Lutron Technical Assistance Hotline. Please provide exact model number when calling.

(800) 523-9466 (U.S.A., Canada, and the Caribbean)

Other countries call (610) 282-3600
Fax (610) 282-3996

Warranty

Lutron, at its option, shall repair or replace any unit that is defective in materials or workmanship under the following conditions: For warranty service, return unit to place of purchase or mail to Lutron at 1200 Suser Rd., Coopersburg, PA 18606-7201, postage prepaid.

This warranty is in lieu of all other warranties, express or implied, and the implied warranty of merchantability is limited to one year from purchase. The warranty does not cover the cost of installation, removal or reinstallation, or damage resulting from misuse, abuse, or damage from improper wiring or installation. This warranty does not cover mechanical/commercial damage.

This warranty gives you specific legal rights, and you may have other rights which vary from state to state. Some states do not allow the exclusion or limitation of incidental or consequential damages, so some of the above limitations may not apply to you.

This product may be covered under one or more of the following U.S. patents: 4,505,343; 4,564,780; 5,248,878; 5,590,540; 5,778,885; 5,038,026; 5,646,544; 055,150,780; 050,385,451; 050,380,805; 063,395,037 and corresponding foreign patents. U.S. and foreign patents pending. Lutron and RadiORA are registered trademarks of Lutron Electronics Co., Inc. © 1999 Lutron Electronics Co., Inc.

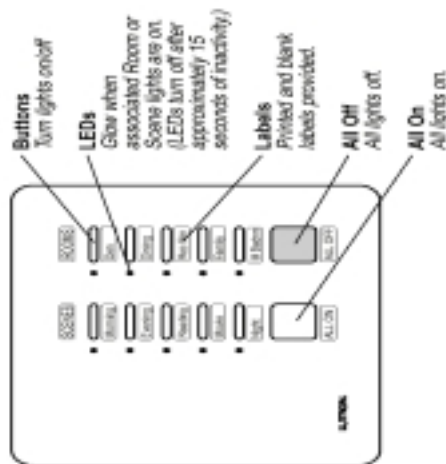
LUTRON®

Lutron Electronics Co., Inc.
1200 Suser Road
Coopersburg, PA 18606-1200, U.S.A.
Made and printed in the U.S.A. 300 790 949-105 Rev. A

LUTRON®

User's Manual (instruction sheet)

Operation of Cordless Table Top Master Control



NOTE:

- Cordless Master Controls will not operate the RadioRA System until they have been programmed.
- For detailed instructions on programming a Cordless Master Control, refer to the RadioRA Setup Guide that is included with a system Repeater.
- "Wake Up" the Cordless Master Control before starting any of the programming steps in the RadioRA Setup Guide.
- "Wake Up" the Cordless Master Control before adding or removing any RadioRA System Components.
- The timeout period for an inactive (without any button presses) Cordless Master Control in programming mode is 5 minutes. If programming is exited, the Cordless Master Control will then revert to its normal timeout period.
- The Cordless Master Control will not have scene LED restoration upon "wake-up" unless the system has at least one System Repeater. (RA-REP) produced after 3/15/99.
- The instruction label on the front of the Cordless Master Control is removable.

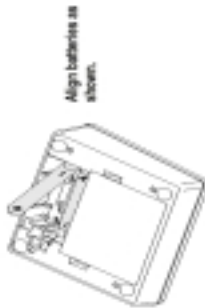
Battery Installation and Replacement

Check off Steps as completed.

Step 1 Remove battery cover.



Step 2 Replace batteries using two, 1.5V AAA alkaline batteries as shown. Install negative terminal (flat end) of battery first.



Step 3 Replace battery cover.



Wall Mount Bracket Installation (Optional)

The Cordless Master Control can be wall mounted using the supplied wall bracket.

Check off Steps as completed.

Step 1 Attach wall bracket to wall using the supplied screws and wall anchors.



Step 2 Align Cordless Master Control and snap onto wall bracket.

