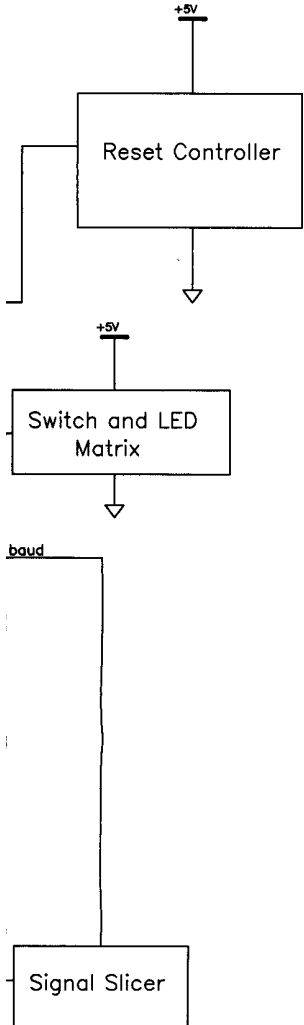


3009



REV	ZONE	DATE	DESCRIPTION	AUTH
			PRELIMINARY RELEASE	

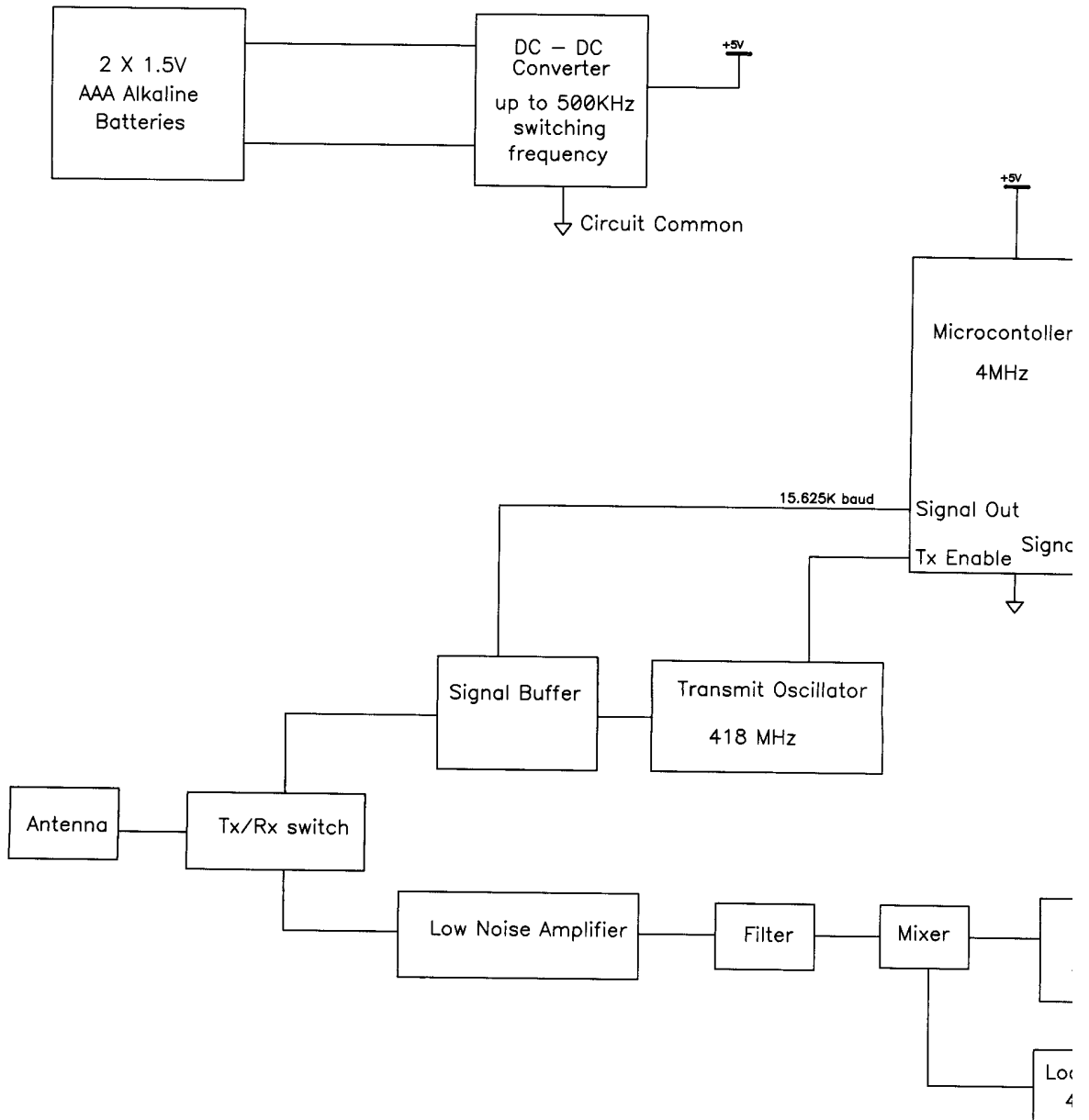

TANGO SCHEMATIC DWG DO NOT SCALE

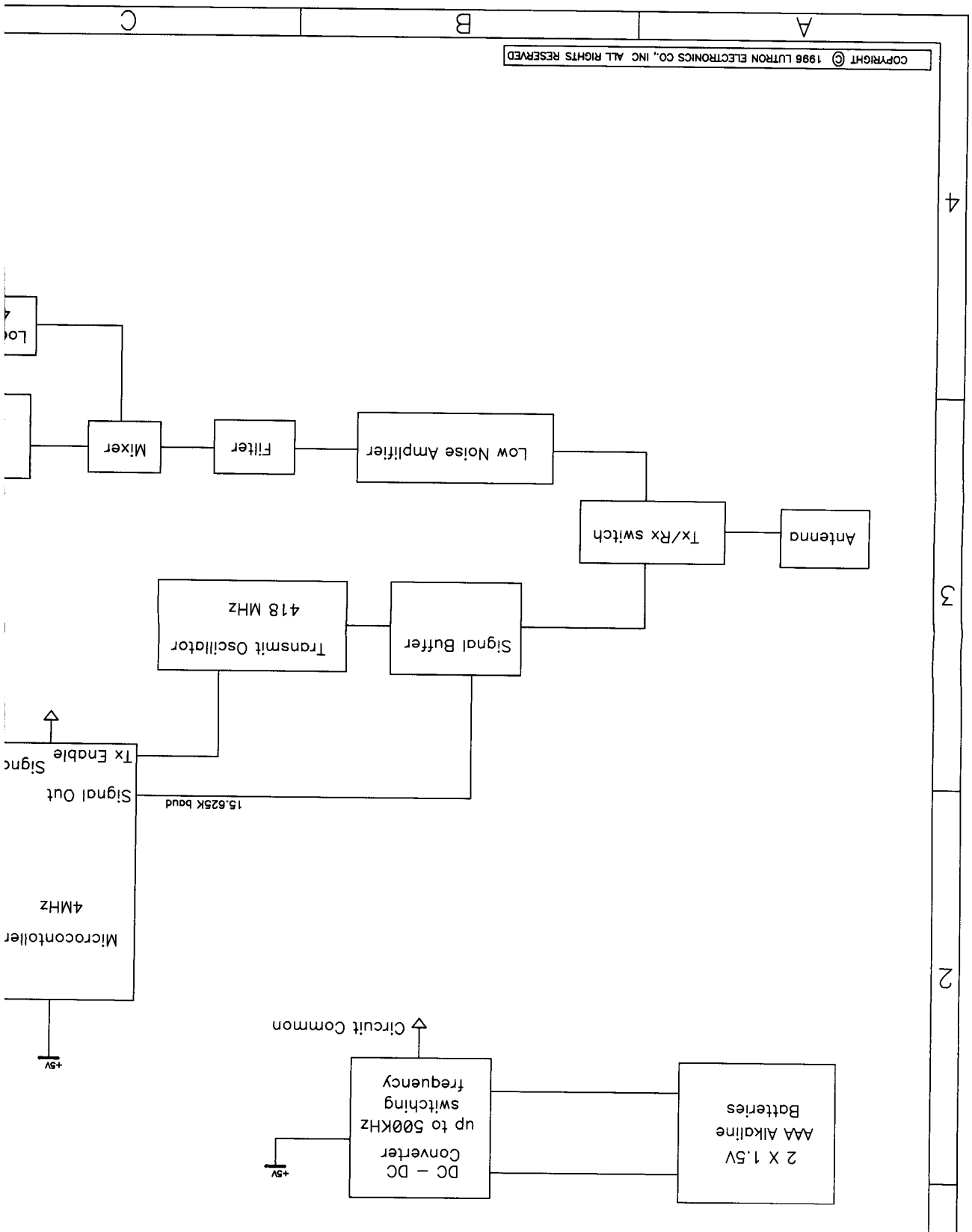
ISSUE CODE	LUTRON ELECTRONICS CO. INC COOPERSBURG, PA 18036 610-282-3800
RP	
SF	
QC	
P	TITLE: RAMC-XC JPZ0009
SM	

THIS DOCUMENT AND THE INFORMATION CONTAINED HEREIN ARE CONFIDENTIAL AND PROPRIETARY TO LUTRON ELECTRONICS CO., INC. UNAUTHORIZED POSSESSION OR USE OF THIS DOCUMENT OR THE INFORMATION CONTAINED HEREIN IS PROHIBITED. NO REPRODUCTION MAY BE MADE OF THIS DRAWING WITHOUT THE EXPRESS WRITTEN PERMISSION OF LUTRON ELECTRONICS CO., INC.

PCB PART NO:	DRAWN BY:	CHECKED BY:	APPR. BY:
FILE NAME: BLOCK_XC.S01	PART NO.		
SCALE:	Thu Jan 28 1999	Block Diagram	

# BLOCK DIAGRAM: RAMC-XC: FCC I

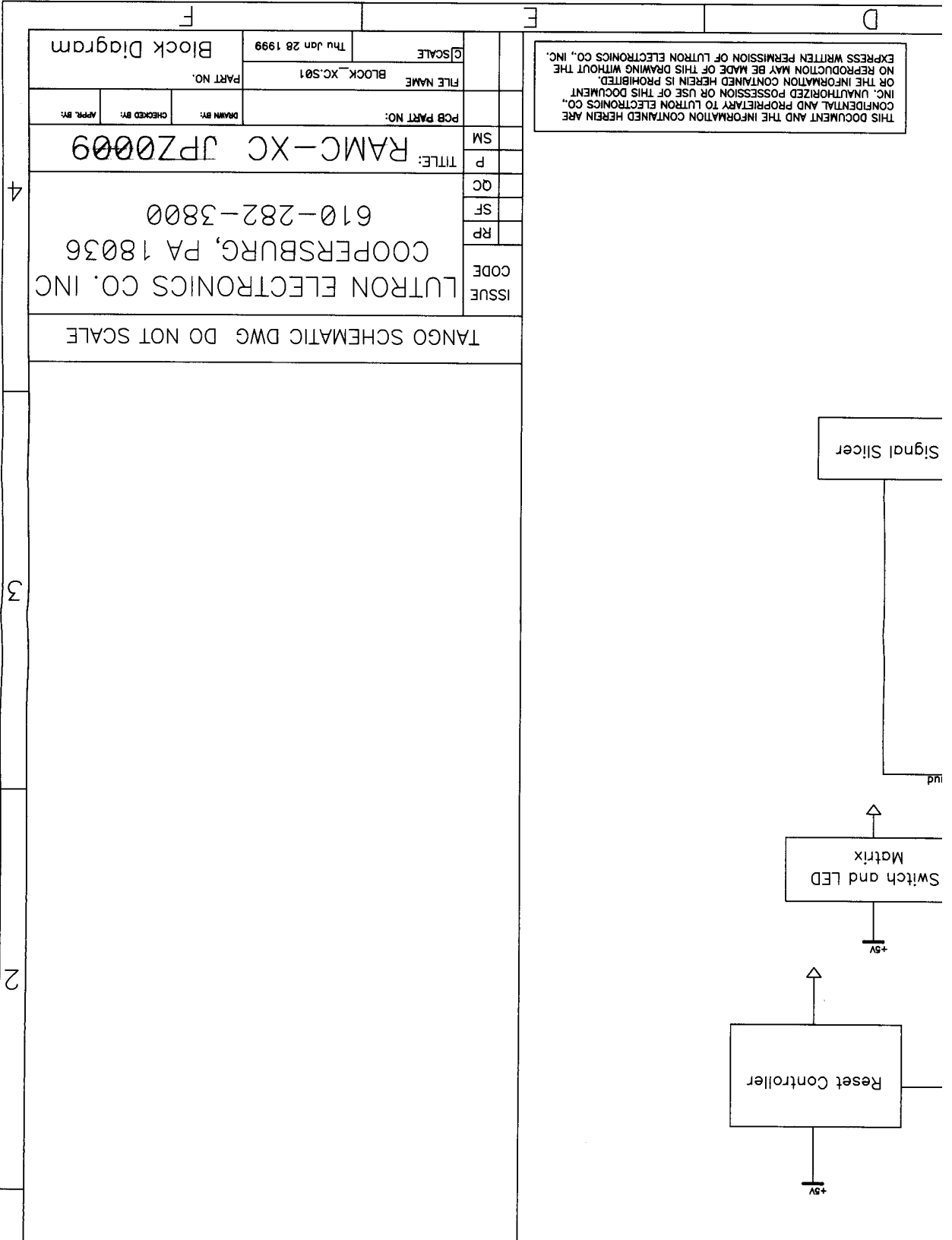




4

3

2



F

G

H

REV	ZONE	DATE	DESCRIPTION	AUTH
			PRELIMINARY RELEASE	

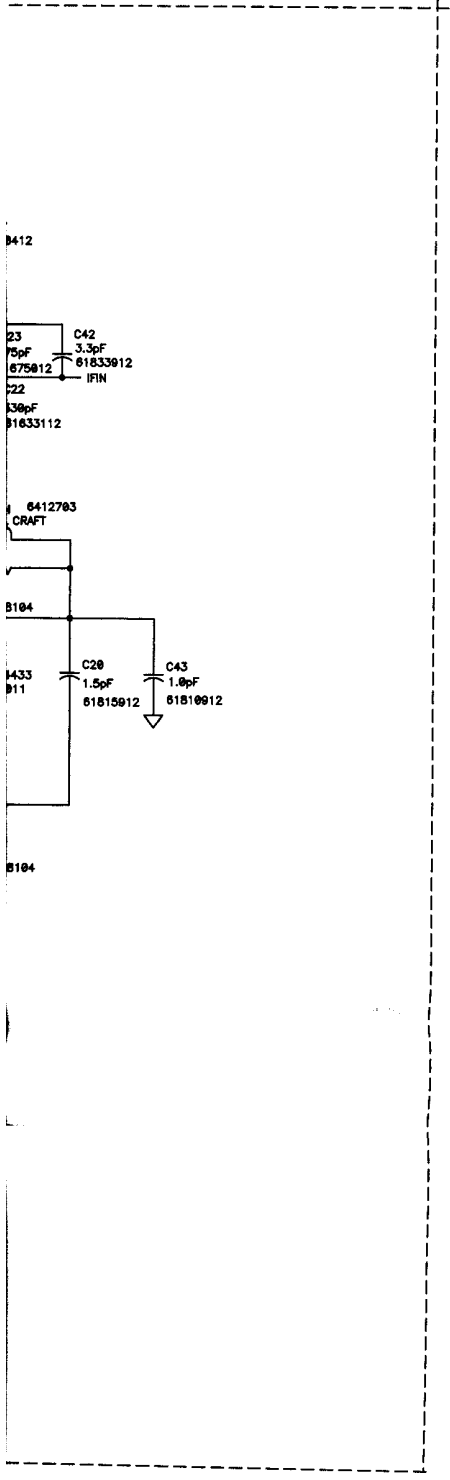
1

2

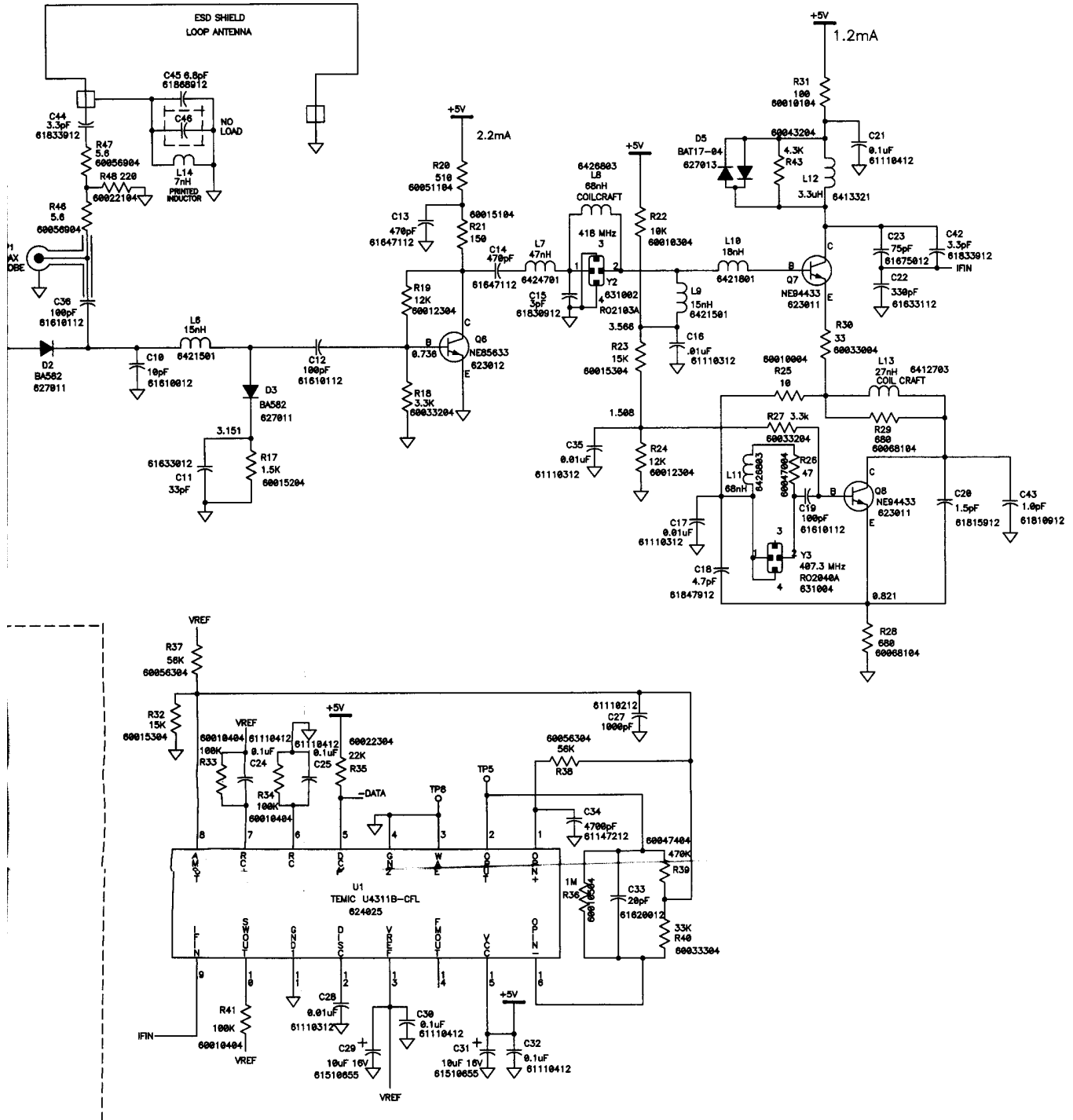
3

4

5



# RF CIRCUITRY



TEST POINTS	
( TP1 )	RF IN
( TP3 )	OSC
( TP4 )	TRAN

A

B

C

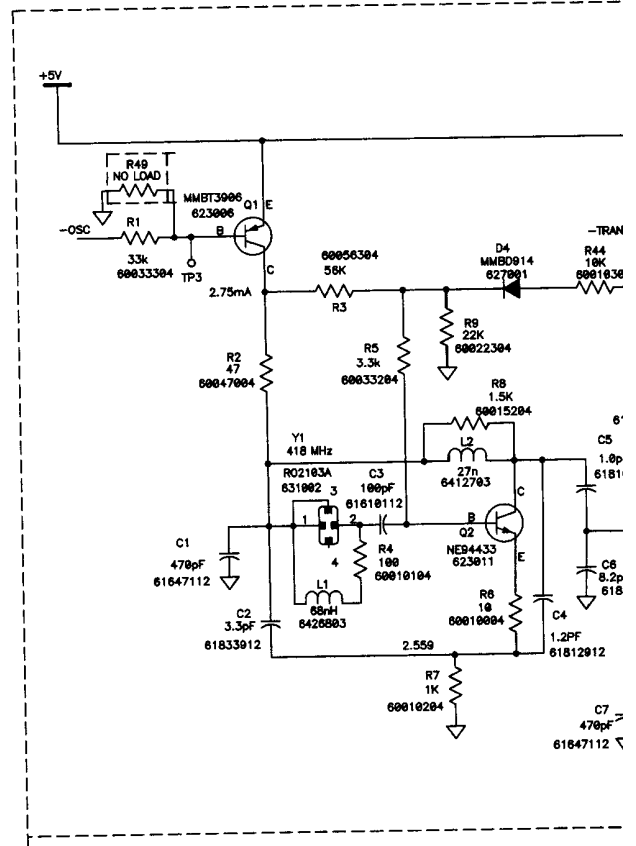
1

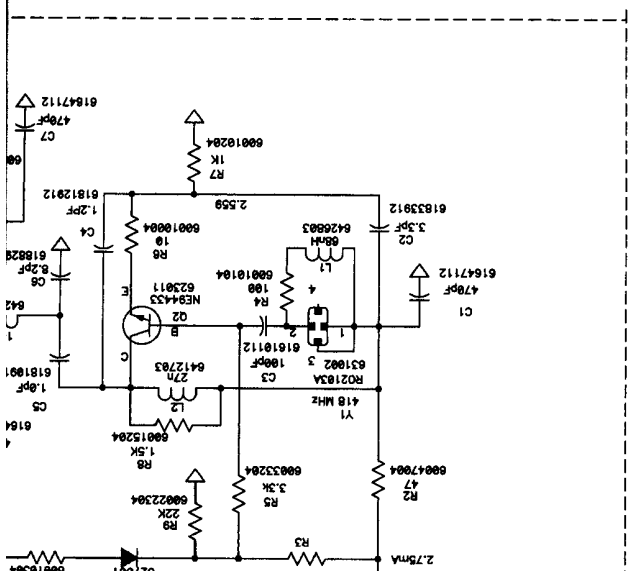
2

3

4

5





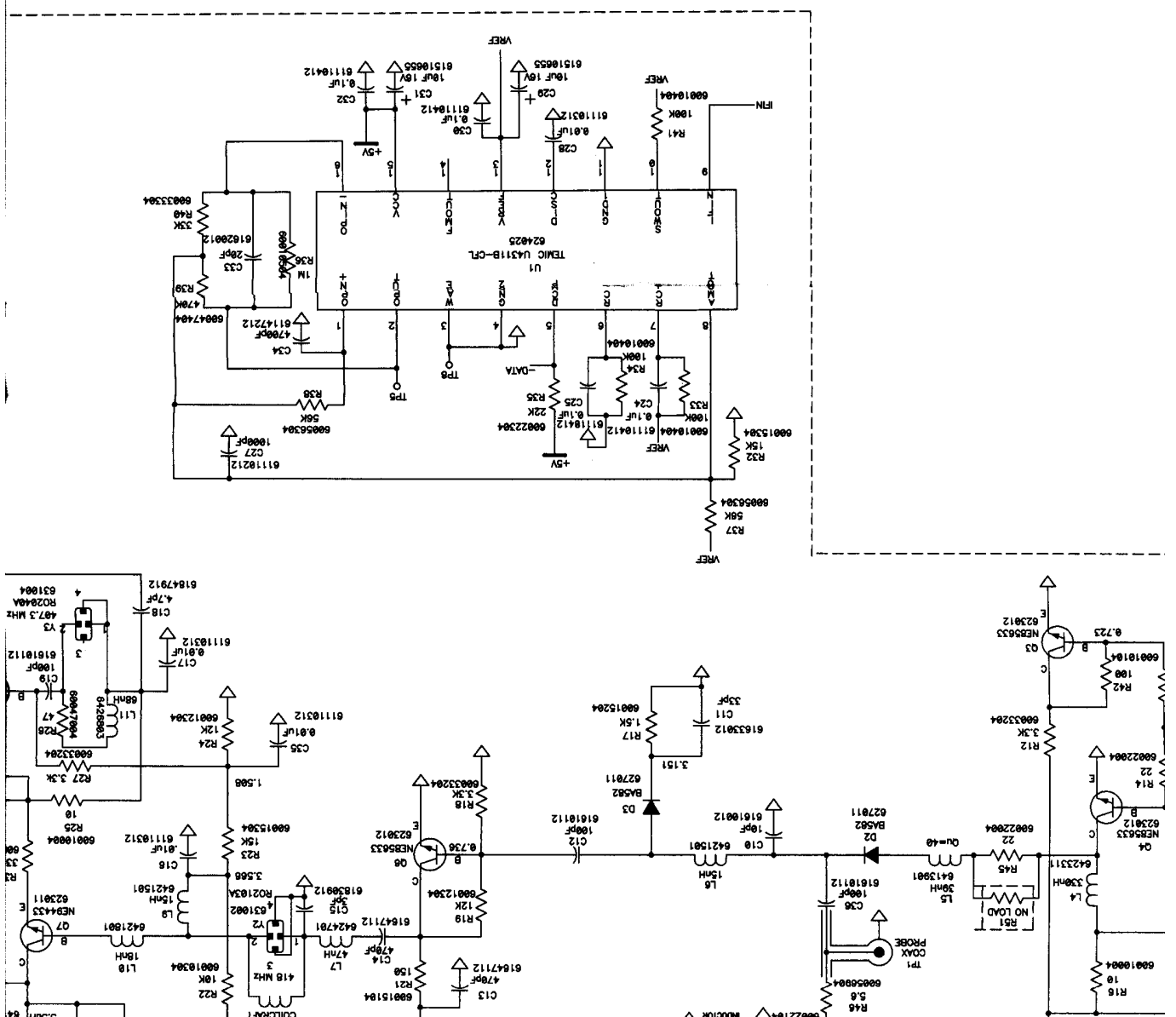
C

B

A



TEST POINT  
 (TP1) RF IN  
 (TP3) OSC  
 (TP4) TRAN  
 (TP5) BASE BN



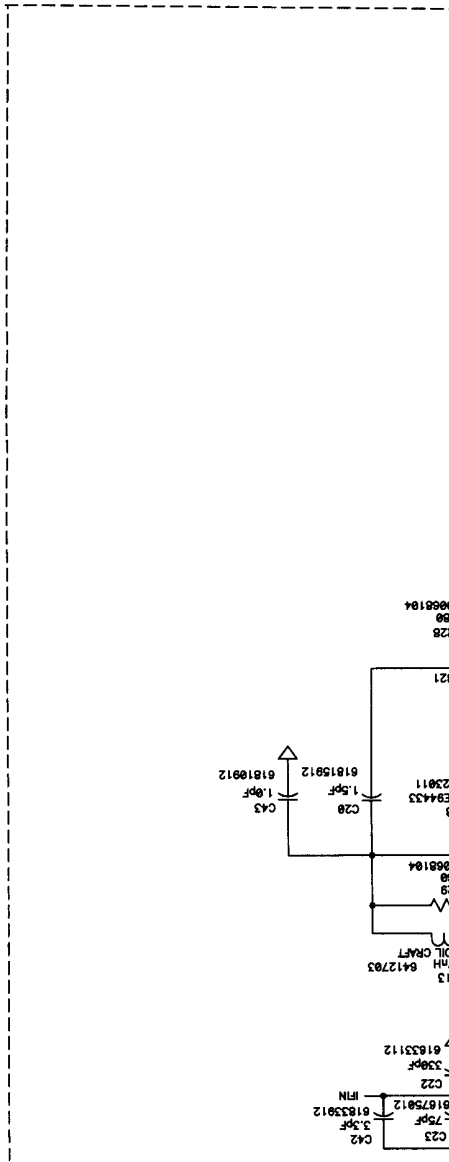
SHEET 2 of 2		Thu Jan 28 1999	D/SCALE
PART NO. 501758		FILENAME: 501758.S02	
PCB PART NO: 4701015	DRAWN BY: RJT	CHECKED BY:	APPR. BY:
TITLE: RADIOIRA TABLETOP CORDLESS MASTER TRANSCIEVER CKT.			
ISSUE CODE	RP	SF	QC
	P	SM	
TANGO SCHEMATIC DWG DO NOT SCALE			

THIS DOCUMENT AND THE INFORMATION CONTAINED HEREIN ARE CONFIDENTIAL AND PROPRIETARY TO LUTRON ELECTRONICS CO., INC. UNAUTHORIZED POSSESSION OR USE OF THIS DOCUMENT OR THE INFORMATION CONTAINED HEREIN IS PROHIBITED. NO REPRODUCTION MAY BE MADE OF THIS DRAWING WITHOUT THE EXPRESS WRITTEN PERMISSION OF LUTRON ELECTRONICS CO., INC.

JFZ0009

6  
5  
4  
3  
2

VAL



REV	ZONE	DATE	DESCRIPTION	AUTH
			PRELIMINARY RELEASE	

1

2

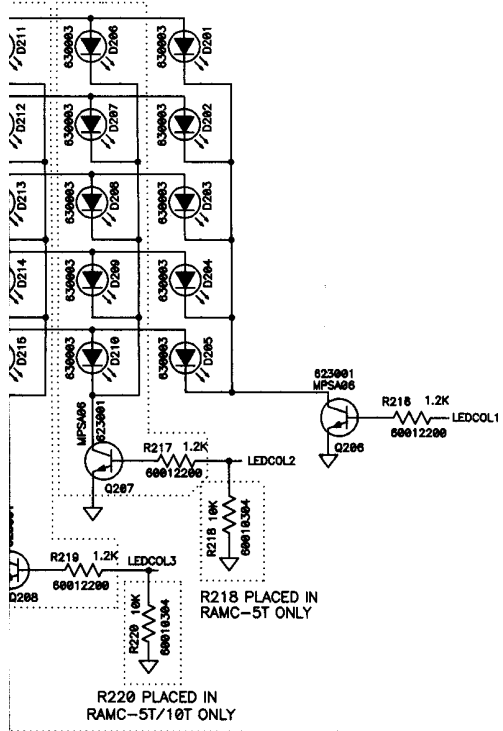
3

4

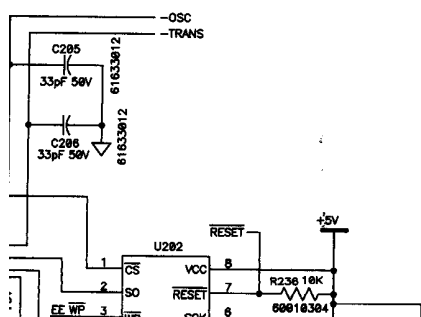
5

PLACED IN  
-5T/10T

PARTS NOT PLACED IN  
RAMC-5T



TEST POINTS	
(TP6)	GND
(TP9)	Vout
(TP10)	Vbatt
(TP12)	uSHDN
(TP13)	LBO
(TP14)	SHDN
(TP15)	TCAP
(TP16)	BUSY FLAG
(TP17)	SWCOL
(TP18)	SWR0W



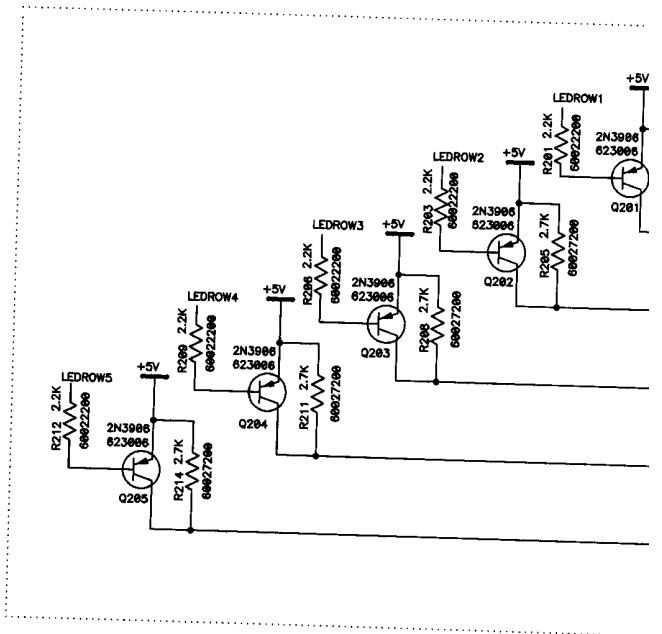
TP3 0010

IDENTIFICATION CHART

207	D208	D209	D210	D211	D212	D21	D214	D215
7	#8	#9	#10	#11	#12	#13	#14	#15
7	#8	#9	#10	#11	#12	#13	#14	#15

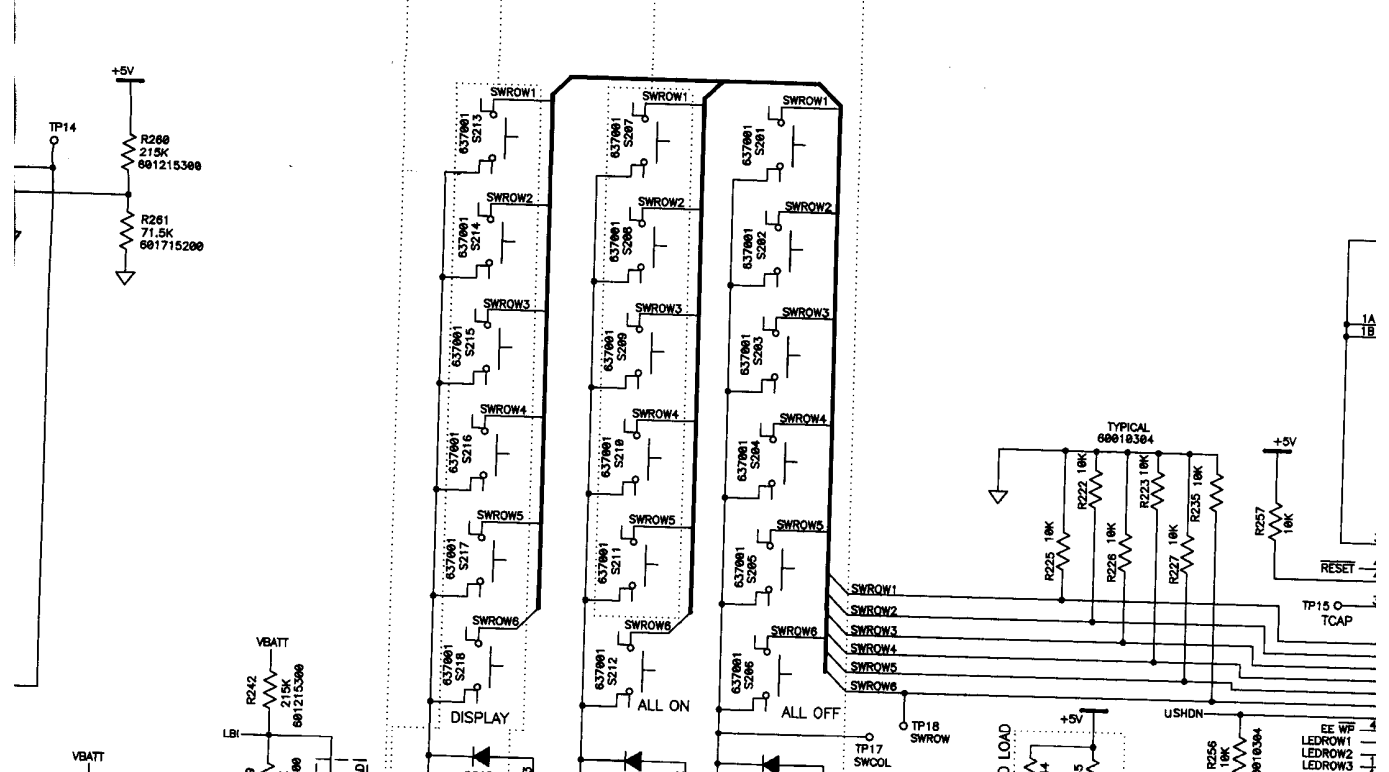
PLACEMENT CHART

17	SW208	SW209	SW210	SW211	SW212	SW213	SW214	SW215	SW216	SW217	SW218
	#7	#8	#9	#10	ALL ON						DISPLAY
	#7	#8	#9	#10	ALL ON	#11	#12	#13	#14	#15	DISPLAY



SWITCH MATRIX

PARTS NOT PLACED IN RAMC-5C & 10C      PARTS NOT PLACED IN RAMC-5C



A

B

1

RESISTOR PLACEMENT CHART				
PORTS	TTM5	TTM10	TTM15	TTM10RL
PB5	LOW	LOW	LOW	LOW
PB6	LOW	LOW	LOW	HIGH
PC2	LOW	LOW	COL 3 SWITCH DRIVE	COL 3 SWITCH DRIVE
PC4	LOW	COL 2 LED DRIVE	COL 2 LED DRIVE	COL 2 LED DRIVE
PC5	LOW	LOW	COL 3 LED DRIVE	COL 3 LED DRIVE

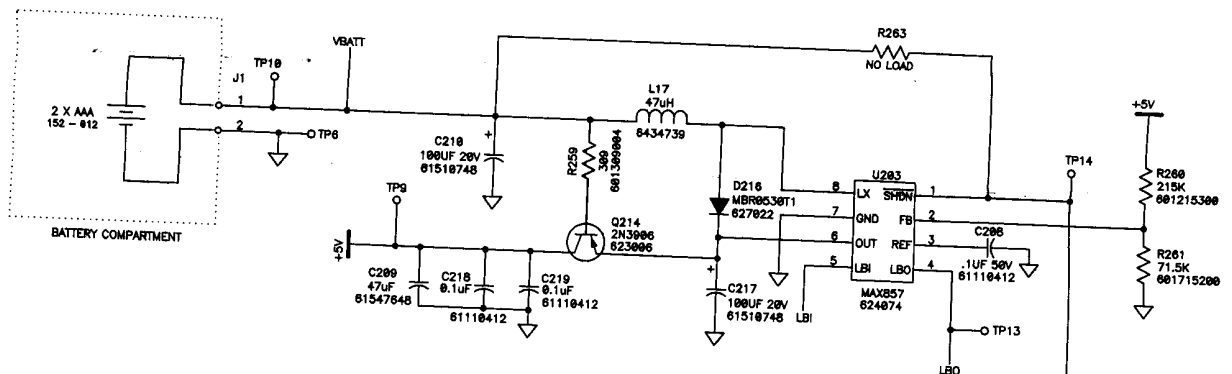
LED PLACEMENT CHART										
	D201	D202	D203	D204	D205	D206	D207	D208	D209	D210
RAMC-5C	#1	#2	#3	#4	#5					
RAMC-10C	#1	#2	#3	#4	#5	#6	#7	#8	#9	#10
RAMC-15C	#1	#2	#3	#4	#5	#6	#7	#8	#9	#10

SWITCH PLACEMENT CHART										
	SW201	SW202	SW203	SW204	SW205	SW206	SW207	SW208	SW209	SW210
RAMC-5C	#1	#2	#3	#4	#5	ALL OFF				
RAMC-10C	#1	#2	#3	#4	#5	ALL OFF	#6	#7	#8	#9
RAMC-15C	#1	#2	#3	#4	#5	ALL OFF	#6	#7	#8	#9

2

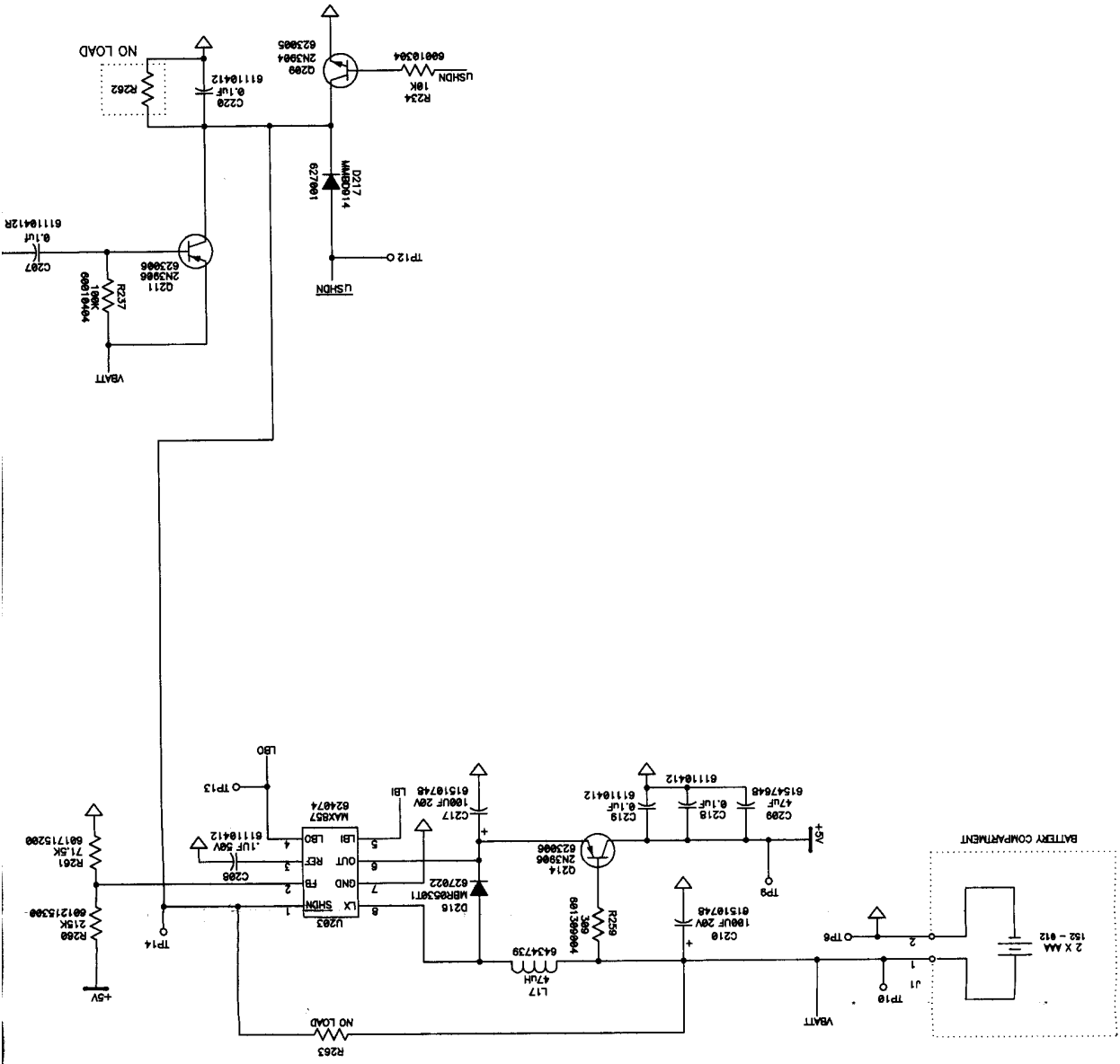
3

4



5

6  
5  
4  
3  
2

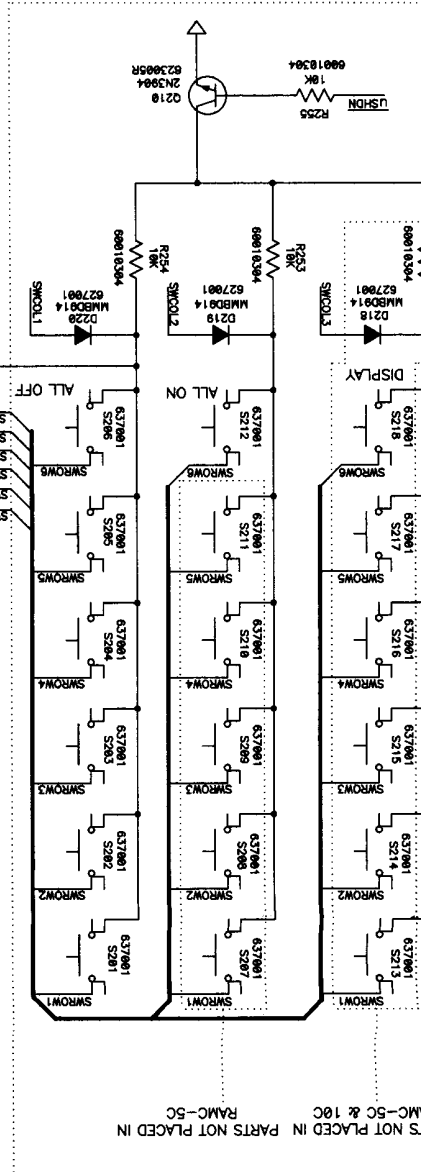


SWITCH PLACEMENT CHART

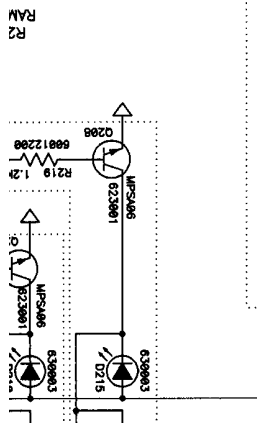
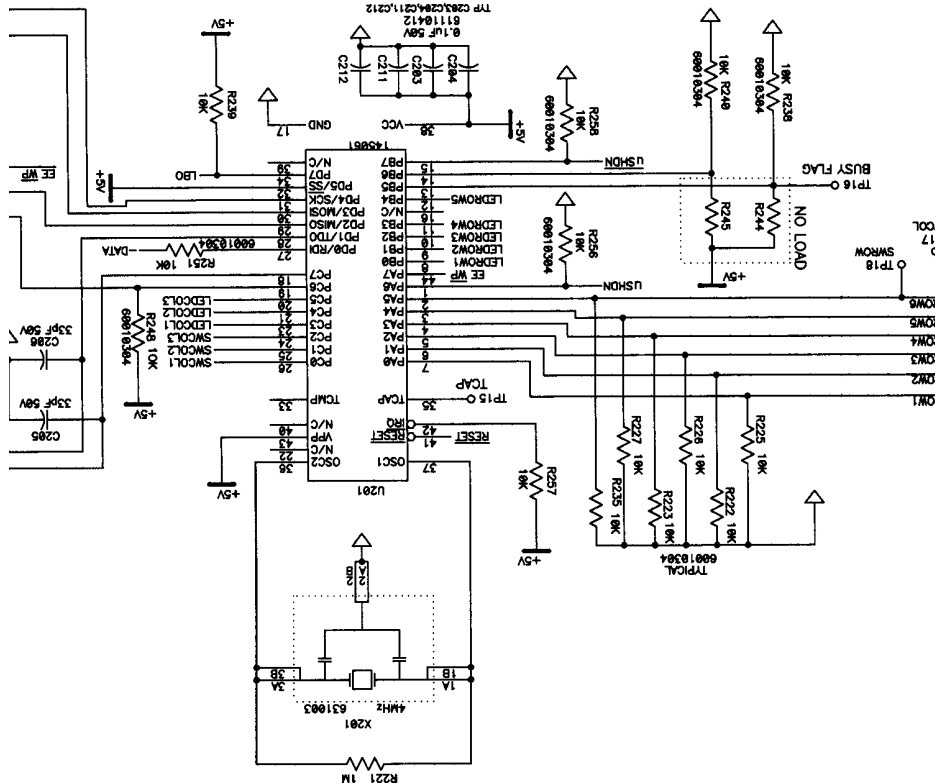
RAMC-15C	#1	#2	#3	#4	#5	ALL OFF	#6	#7	#8	#9	#10	ALL ON
RAMC-18C	#1	#2	#3	#4	#5	ALL OFF	#6	#7	#8	#9	#10	ALL ON
RAMC-5C	#1	#2	#3	#4	#5	ALL OFF	#6	#7	#8	#9	#10	ALL ON
SW201	SW202	SW203	SW204	SW205	SW206	SW207	SW208	SW209	SW210	SW211	SW212	

PC5	LOW	LOW	LED DRIVE	COL 3
PC4	LOW	LED DRIVE	COL 2	LED DRIVE
COL 1	SWITCH DRIVE	COL 2	LED DRIVE	COL 3

SWITCH MATRIX



\*S NOT PLACED IN PARTS NOT PLACED IN RAMC-5C & 10C



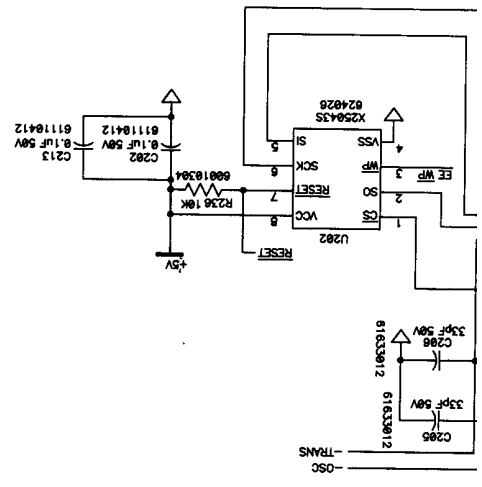
17	SW218	DISPLAY
16	SW217	DISPLAY
15	SW216	DISPLAY
14	SW215	DISPLAY
13	SW214	DISPLAY
12	SW213	DISPLAY
11	SW212	DISPLAY
10	SW211	DISPLAY
9	SW210	DISPLAY
8	SW209	DISPLAY
7	SW208	DISPLAY
6	SW207	DISPLAY
5	SW206	DISPLAY
4	SW205	DISPLAY
3	SW204	DISPLAY
2	SW203	DISPLAY
1	SW202	DISPLAY

D SCALE		Thu Jan 28 1999	SHEET 1 of 2	
FILENAME: 501758.S01		PART NO. 501758		
PCB PART NO: 470-1015		DRAWN BY: RJT	CHECKED BY:	APPR. BY:
SM	TITLE: RADIORA TABLE TOP CORDLESS MASTER POWER SUPPLY/LED/SW/UP BOARD			
P	LUTRON ELECTRONICS CO. INC.			
QC	610-282-3800			
SF	COOPERSBURG, PA 18036			
RP	ISSUE CODE			
TANGO SCHEMATIC DWG DO NOT SCALE				

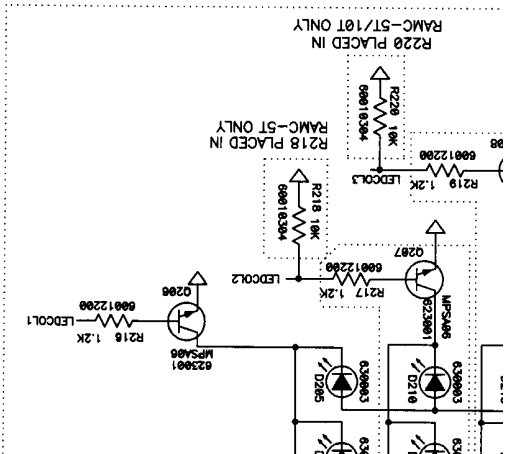
25 mil absolute grid

JPZ0009

THIS DOCUMENT AND THE INFORMATION CONTAINED HEREIN ARE CONFIDENTIAL AND PROPRIETARY TO LUTRON ELECTRONICS CO., INC. UNAUTHORIZED POSSESSION OR USE OF THIS DOCUMENT OR THE INFORMATION CONTAINED HEREIN IS PROHIBITED. NO REPRODUCTION MAY BE MADE OF THIS DRAWING WITHOUT THE EXPRESS WRITTEN PERMISSION OF LUTRON ELECTRONICS CO., INC.



TEST POINTS	
(TP6)	GND
(TP9)	Vout
(TP10)	Vbatt
(TP12)	uSHDN
(TP13)	LBO
(TP14)	SHDN
(TP15)	TCAP
(TP16)	BUSY FLAG
(TP17)	SWCOL
(TP18)	SWROW



6  
5  
4  
3  
2