



KYOCERA Corporation
Yokohama Office 2-1-1 Kagahara, Tsuzuki-ku Yokohama-shi,
Kanagawa, Japan

Jun 03, 2014

DIGITAL EMC CO., LTD.
683-3, Yubang-Dong,
Yongin-Si, Kyunggi-Do,
Korea. 449-080

Request letter for KYY22(FCCID: JOYKYY22)

The FCCID: JOYKYY22 is the changed configuration model from FCCID: JOYKYY21.
The changed parts are as follows,

1. Dimensions, Case, Antenna elements length, Loud speaker, Rear side metal part.

So Conducted test was to proceed at FCCID: JOYKYY21.
FCCID: JOYKYY22 was measured by applying only Radiated test.

Additionally, differences of FCCID: JOYKYY21/FCCID: JOYKYY22 is added to next page.

Sincerely,

Signature

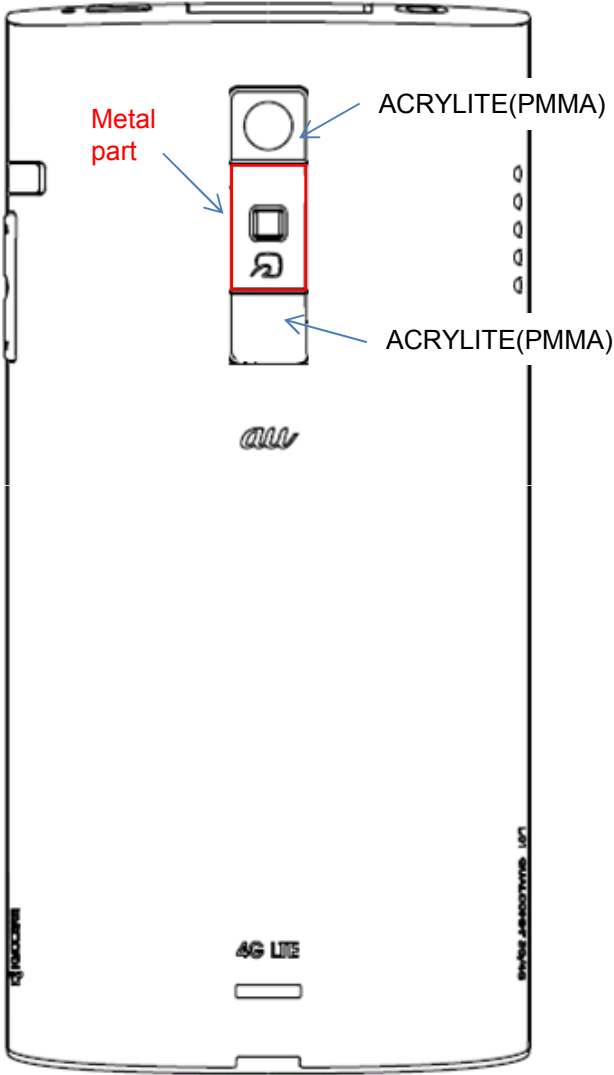
Responsible Name:
Yoshikazu Yamamoto
Title:
Manager of Quality Assurance
Dept.

The differences between KYY21(FCC ID: JOYKYY21) and similarity model: KYY22

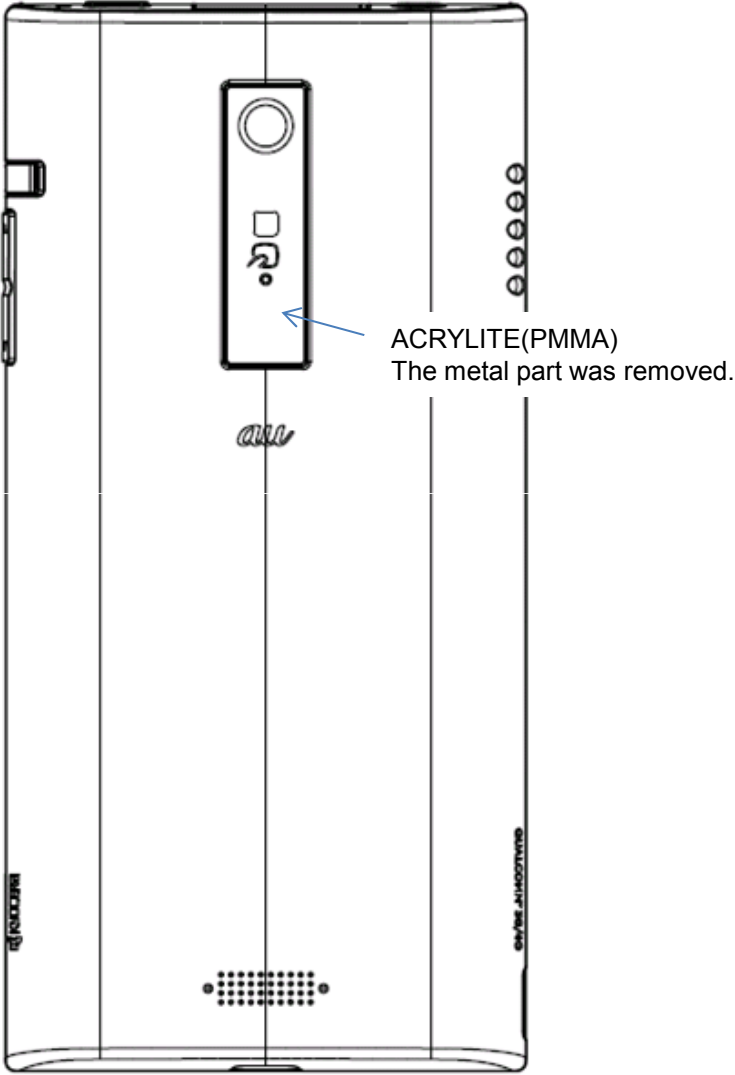
item	KYY21 (base model)	KYY22	supported docs
Dimensions / Appearance	65 x 134 x 10.8 mm	65 x 134 x 11.0 mm Some shape was changed (Minor changes)	See the out view drawings. <KYY21_outside_drawing.pdf> <KYY22_outside_drawing.pdf>
Enclosure (Case)	Reny	Polycarbonate	
Antenna elements length	-	The antenna elements were slightly extended due to material changes of the cases	The antenna gains are the same. See the antenna drawings. < Antenna_drawings.pdf>
Loud Speaker	SANYO S00816J14A 8 ohms/ 16x8x3.1mm	KEYRIN 1608-8D-01P 8 ohms/ 16x8x3.3mm	See the speaker drawings <S00816J14A for KYY21.pdf> <1608-8D-01P for KYY22.pdf >
Rear side metal part	Yes	No	See the drawing < rear_metal_part.pdf >

* All Printed Circuit Board (PCB) and installed components are the same with KYY22.

Rear side metal part

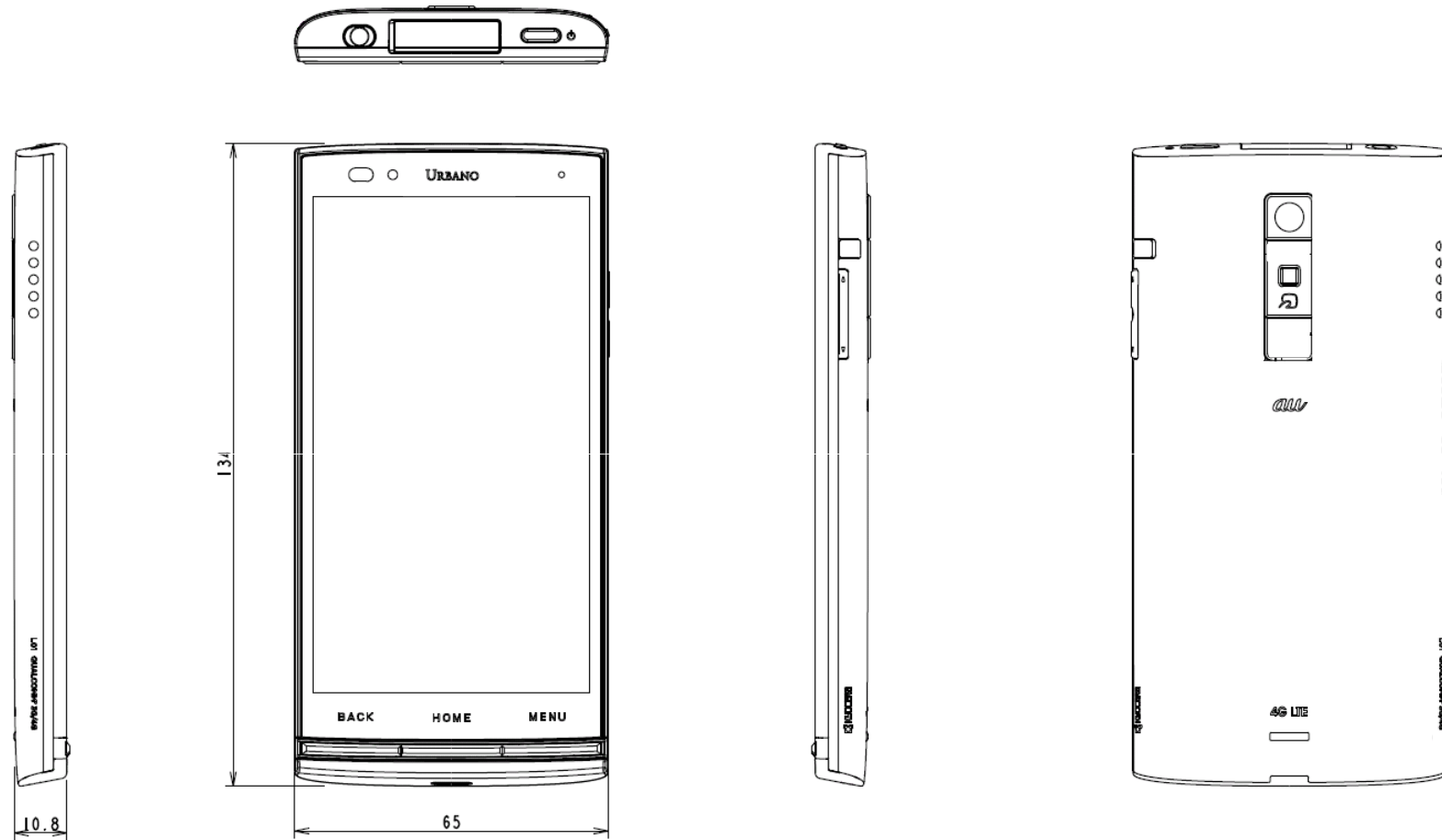


KYY21

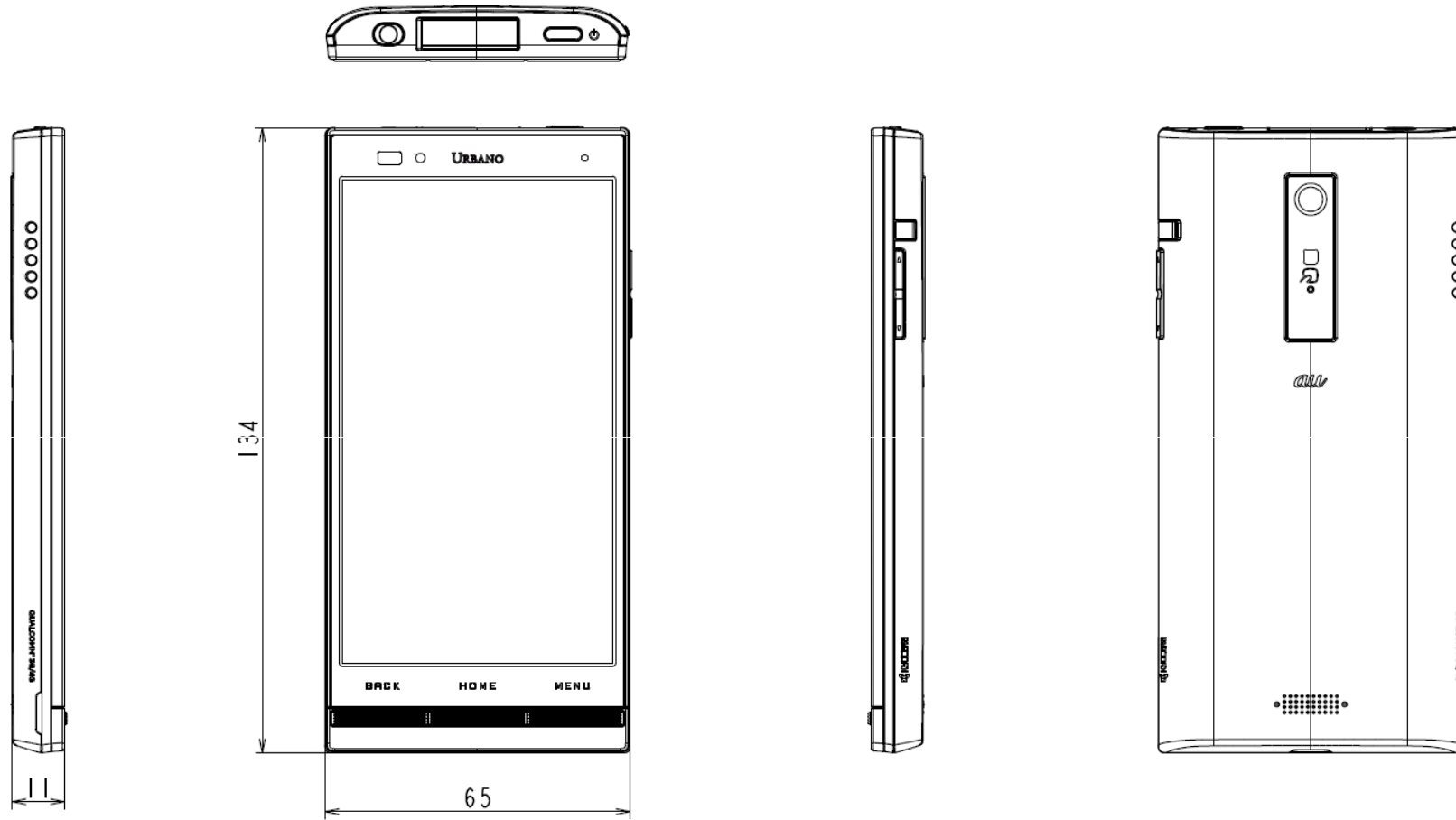


KYY22

KYY21 Outside Drawing



KYY22 Outside Drawing

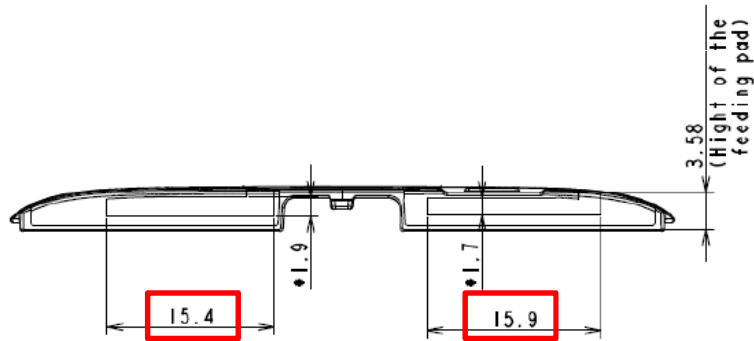
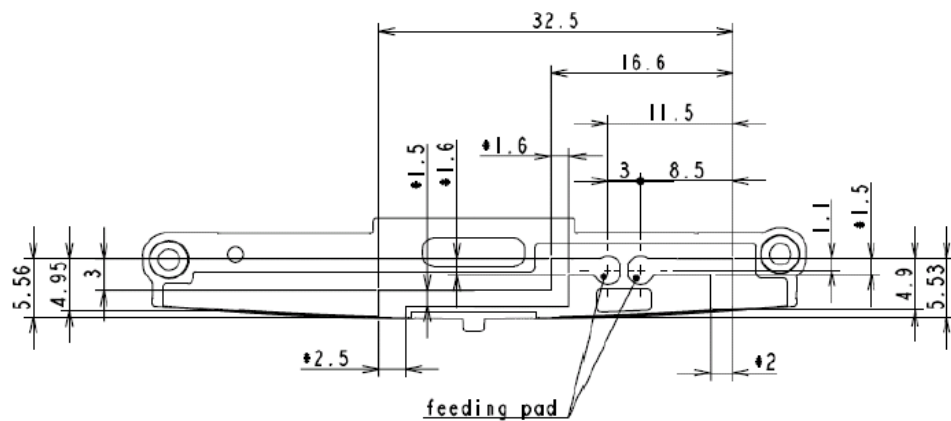


Antenna element drawings and gain table

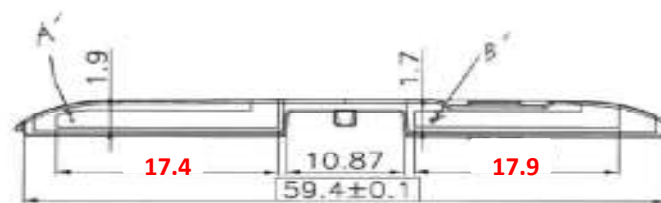
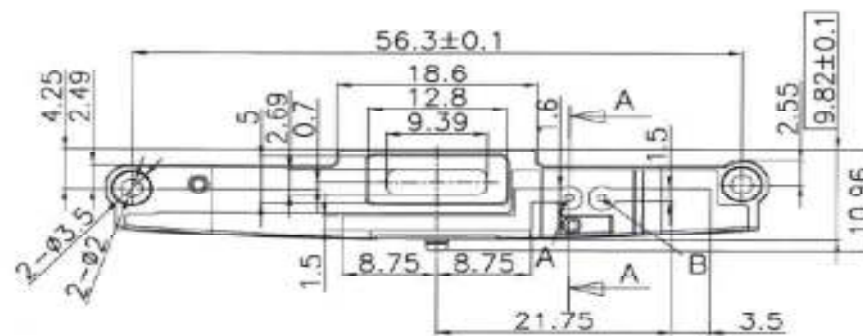
The differences between KYY21(FCC ID: JOYKYY21) and similarity model: KYY22

Antenna locations are no changes, the difference is only length as shown following slides.

CDMA / W-CDMA / GSM Antenna



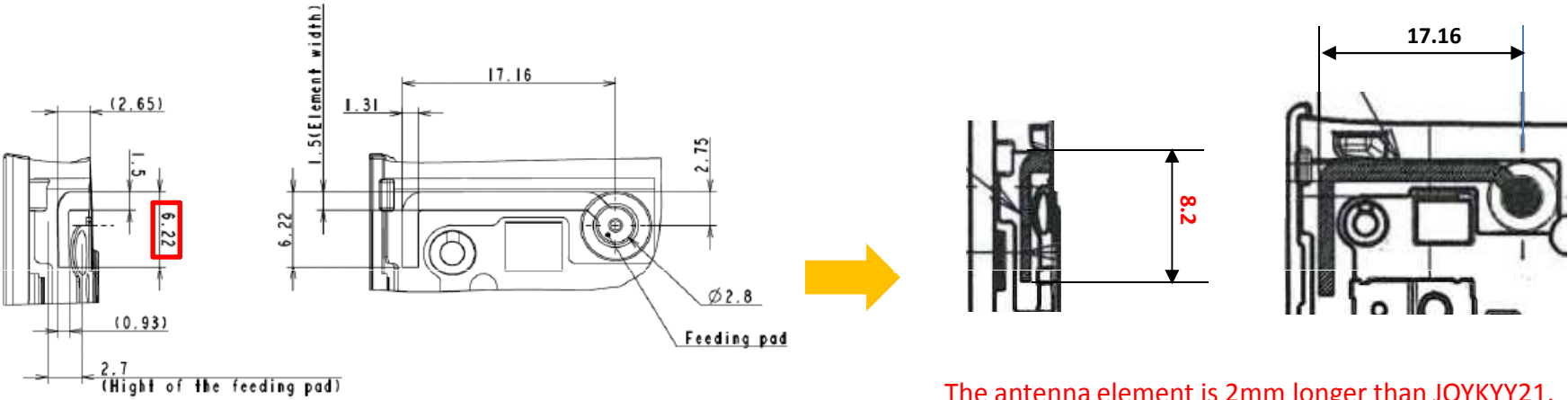
KYY21



KYY22

The antenna elements are 2mm longer than JOYKYY21.

Bluetooth / WLAN Antenna

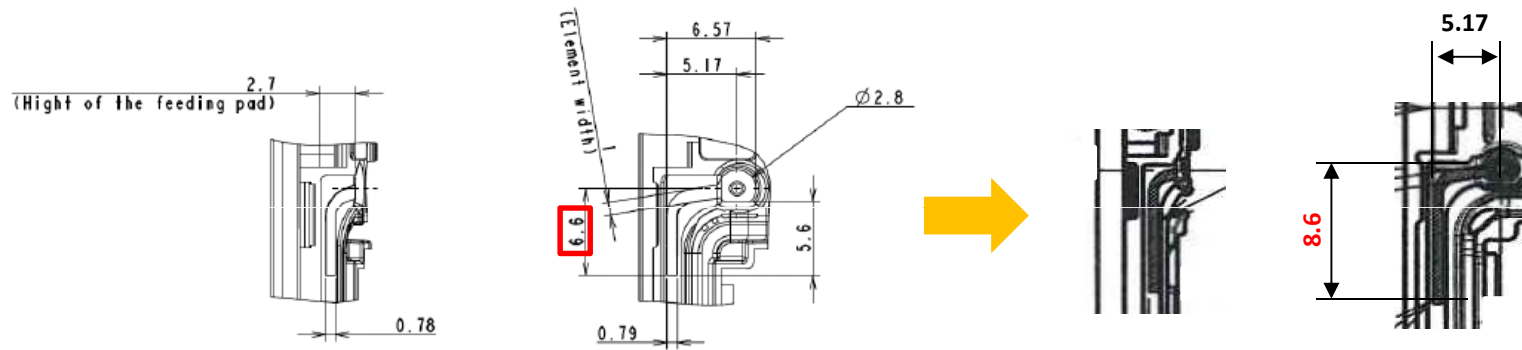


The antenna element is 2mm longer than JOYKYY21.

KYY21

KYY22

WLAN_W52_E53_W56 Antenna



The antenna element is 2mm longer than JOYKYY21.

KYY21

KYY22

Antenna Gain

CDMA band class 0	0dBi
W-CDMA band 1	0dBi
W-CDMA band 5	0dBi
GSM850	0dBi
GSM900	0dBi
GSM1800	0dBi
GSM1900	0dBi
Bluetooth / WLAN	0dBi
WLAN_W52_W53_W56	0dBi

KYY21

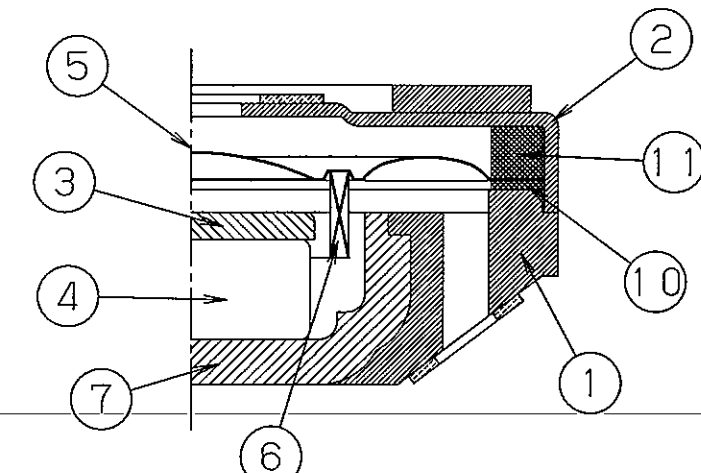


No change

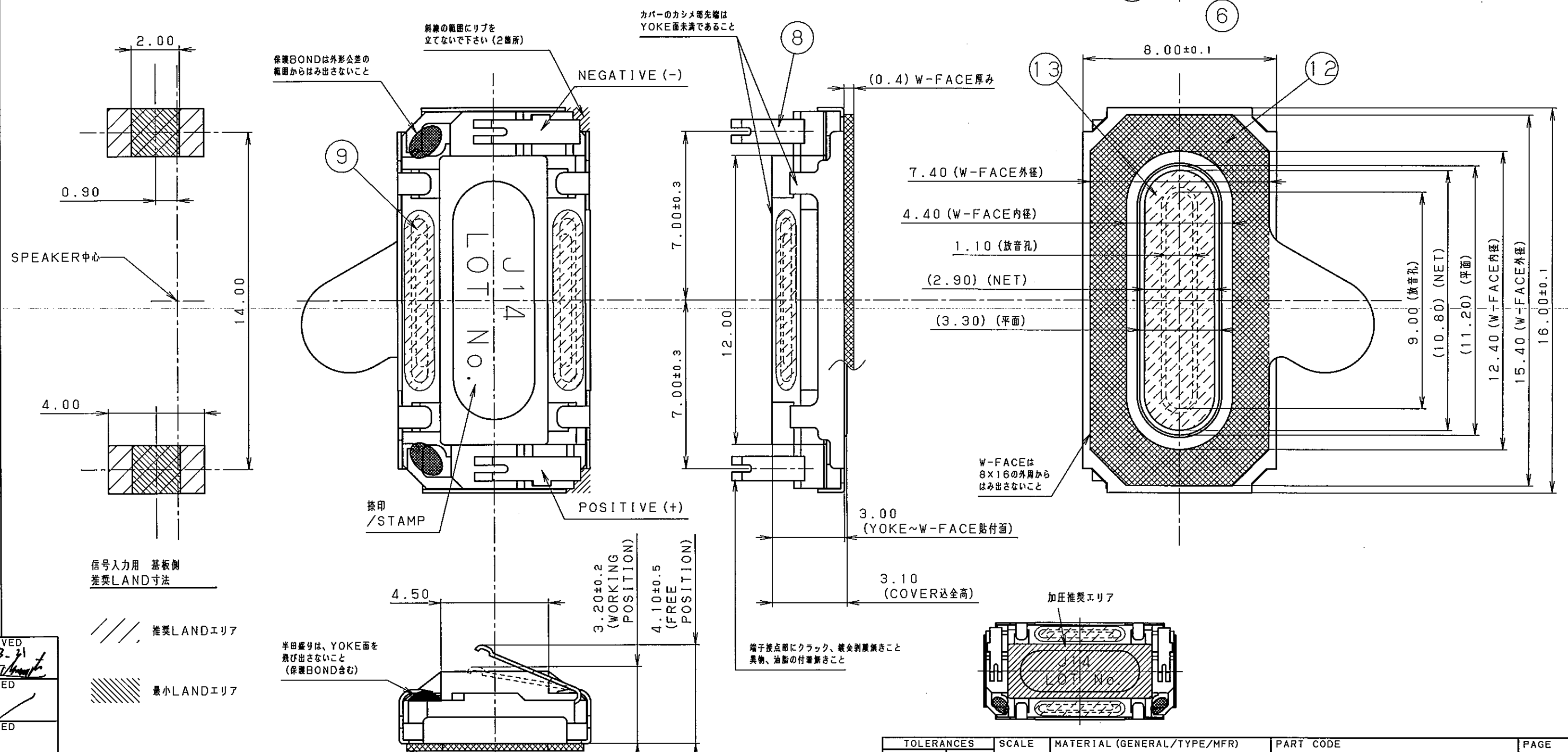
CDMA band class 0	0dBi
W-CDMA band 1	0dBi
W-CDMA band 5	0dBi
GSM850	0dBi
GSM900	0dBi
GSM1800	0dBi
GSM1900	0dBi
Bluetooth / WLAN	0dBi
WLAN_W52_W53_W56	0dBi

KYY22

1	2	3	4	5	6	7	8
構成部品 (PART)	材質・規格 (MATERIALS, SPEC.)	処理 (FINISH)					
1 フレーム/FRAME	ポリフタルアミド/PPA	BLACK					
2 フレームカバー/FRAME COVER	ステンレス/SUS430 0.1t						
3 ポールピース/POLE PIECE	冷間圧延鋼板/SPCC 0.3t	Ep-Fe/Zn/yellow trivalent chrome chromate					
4 マグネット/MAGNET	ネオジウム/Nd-Fe-B						
5 ダイアフラム/DIAPHRAGM	耐熱ポリエステルフィルム/PEN 16 μ m	NATURAL					
6 ボイスコイル/VOICE COIL	銅線/COPPER WIRE ϕ 0.05						
7 ヨーク/YOKE	冷間圧延鋼板/SPCC 0.5t	Ep-Fe/Zn/yellow trivalent chrome chromate					
8 ターミナル/TERMINAL	SUS 301 3/4H 0.15t	Ni-PLATING (2.0~5.0 μ m), Au-PLATING (0.5~1.0 μ m) 封孔処理					
9 ネット/NET	NBC T-NO.280T	WHITE					
10 両面テープ/W-FACE TAPE	NITTO NO.5610 0.1t						
11 両面テープ/W-FACE TAPE	3M Y4914-025 + PET 総厚0.688t	WHITE					
12 両面テープ/W-FACE TAPE	DIC WS#8404B 0.4t (兼型紙含まず)	BLACK					
13 ネット(前面)/FRONT NET	NBC T-NO.305T	BLACK					



NOTE: DO NOT SCALE



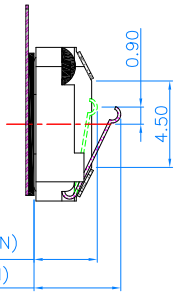
APPROVED
2013. 3. 21
CHECKED
CHECKED
DESIGNED
2013. 03. 05
v. yoshimi
DRAWN
2013. 03. 05
v. yoshimi

MK	DATE	EI. NO.	REVISION	REV. BY	SEC	NOTE
		P-3322	NEW DRAWING			

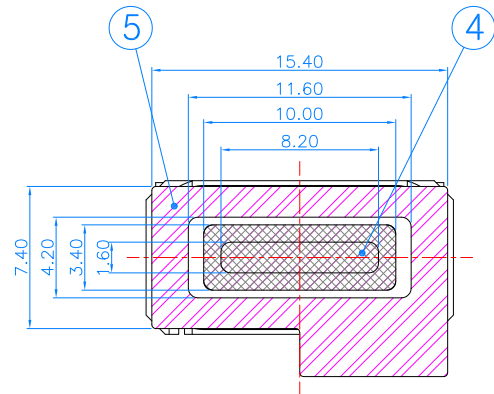
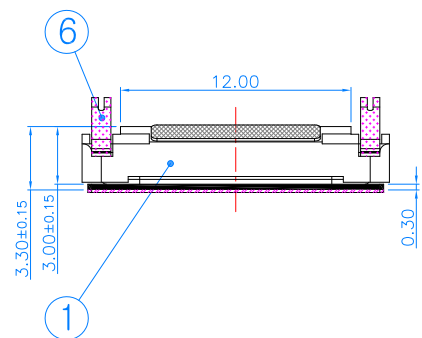
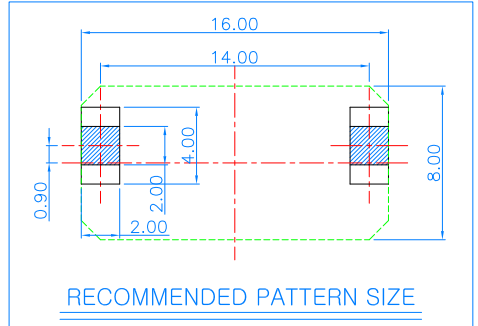
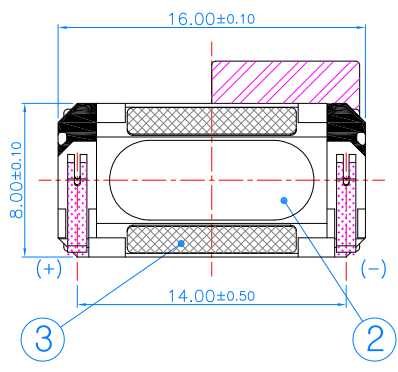
TOLERANCES	SCALE	MATERIAL (GENERAL/TYPE/MFR)	PART CODE	PAGE
10.1 OVR \pm 0.3	6/1		S00816J14A	11/16
10.0 UND \pm 0.2			PART NAME	
HOLES \pm 0.2	UNIT	FINISH	SPEAKER	
ANGLES \pm 2°	m m		ORIGINAL MODEL	DRAW. NO
			DRAW. ID/FILE	

KRP 3 1 1 LOT NO
A1608D
01P

MARKING STAMP



3.30^{+0.20}/_{-0.30}(WORKING POSITION)
4.50±0.50(FREE POSITION)



⑥	PIN TERMINAL	2	SUS304 -1/2H	FRESH PLATING Ni:2μm(MIN) Au:0.5μm(MIN)	0.15T
⑤	WATERLESS TAPE	1	-	VT2830	0.3T
④	GRILL SCREEN	1	MESH	#350	-
③	FRAME SCREEN	1	MESH	#180	-
②	YOKE	1	STEEL	-	-
①	FRAME	1	LCP	PLASTIC	BLACK

1	REVISION	DATE	NOTE	SIGN	APPD.BY	NO.	PART NAME	Q'TY	MATERIAL	TREATMENT	REMARK
SCALE	3 : 1	DESD.BY	CHED.BY	APPD.BY	DATE	JUN. 06. 2013					
TOLERANCE	±0.1	<i>Y.H.SONG</i>	<i>H.S.NOH</i>	<i>H.J.LEE</i>	MODEL NO.	1608-8D-01P					
UNIT	mm	Y.H.SONG	H.S.NOH	H.J.LEE	TITLE	MODEL DIMENSION					
					DRAWING NO.	16088D01P - 100					