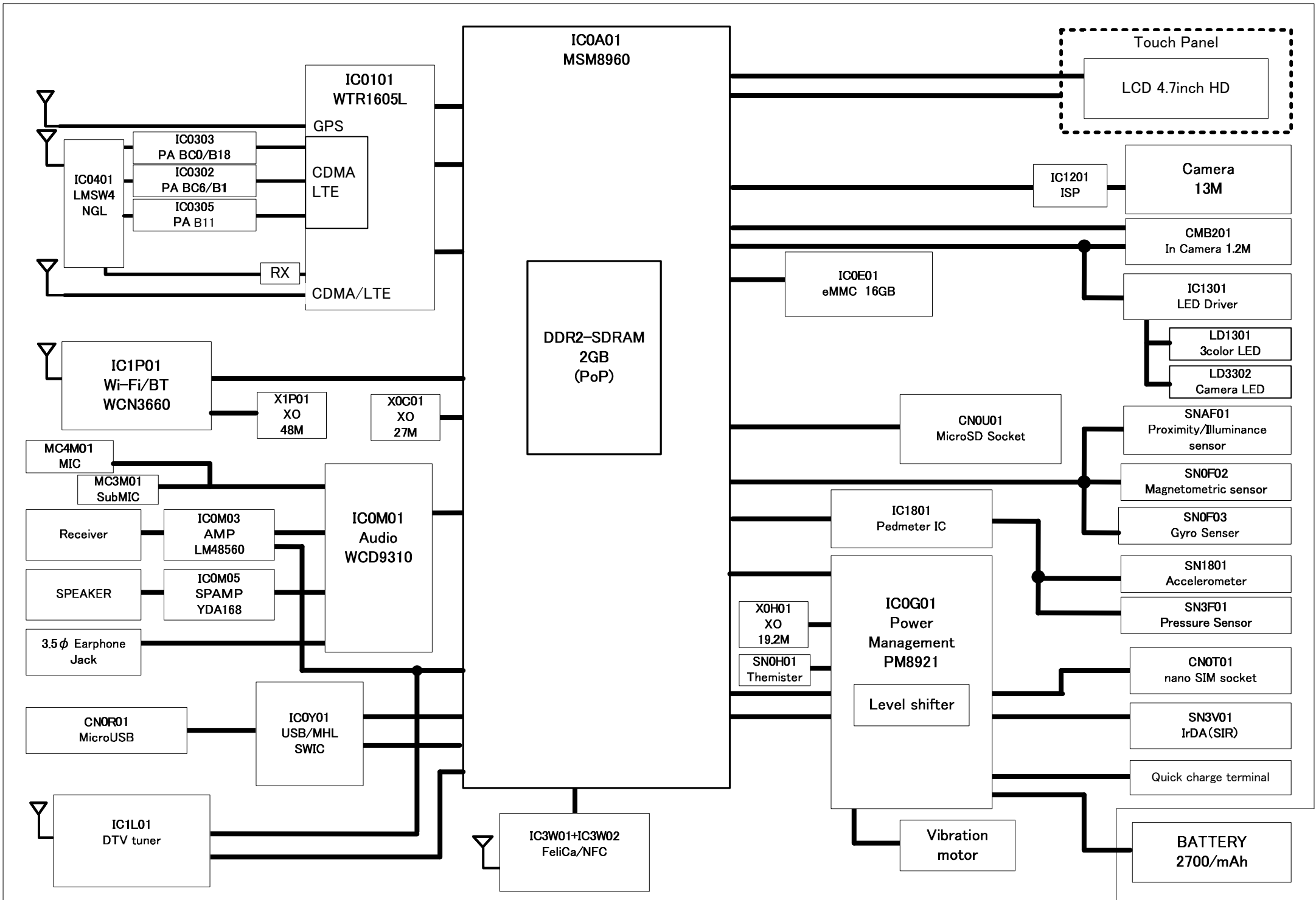
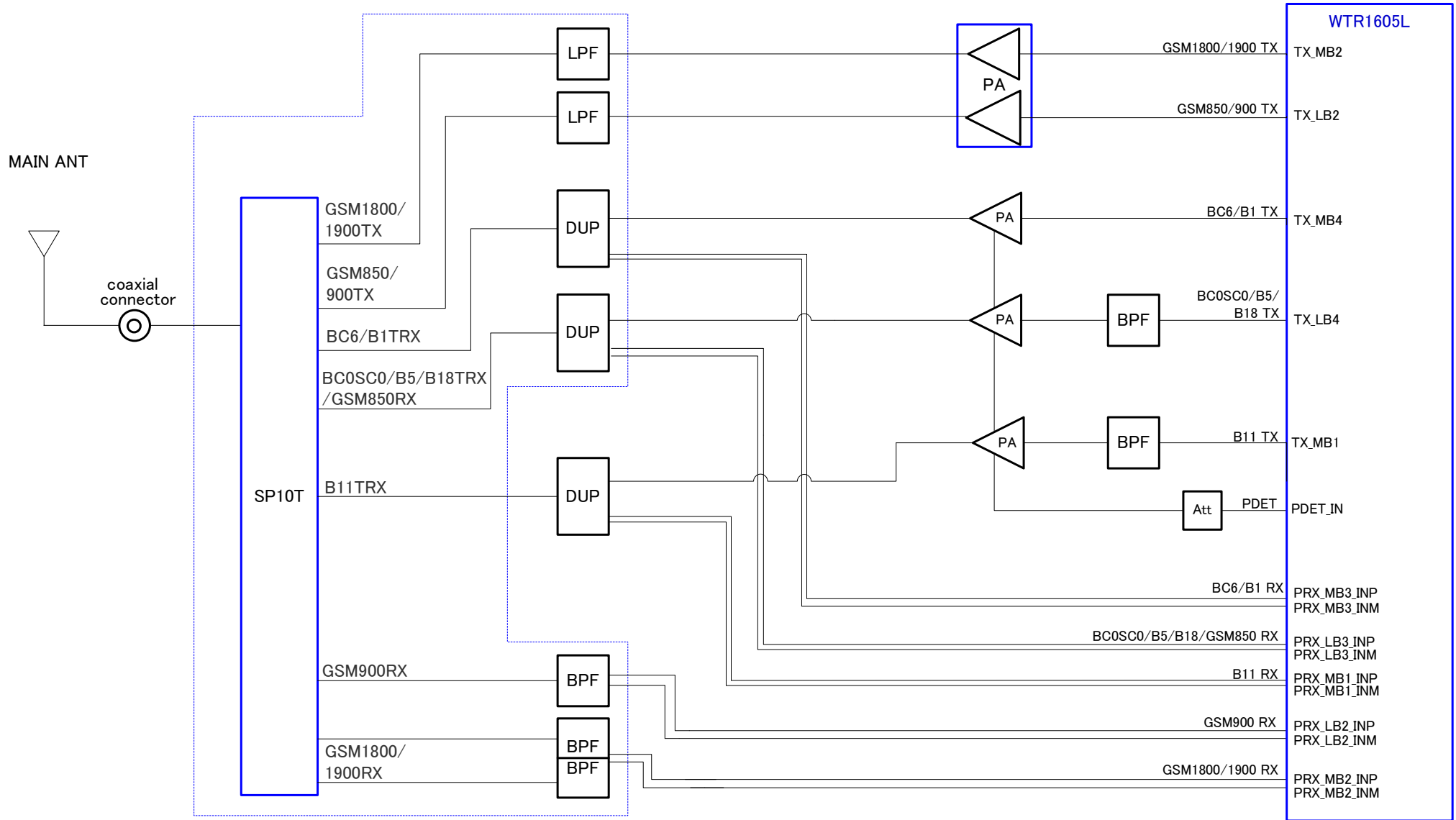


# << KYY21 Block Diagram >>



KYY21 RF Block Diagram



***KYY21 RF Block Diagram***

