

October 9, 2014

TUV SUD Zacta Ltd.

5-4149-7, Hachimanpara, Yonezawa-shi

Yamagata, 992-1128 Japan

## DECLARATION OF IDENTITY

The KYV31 is the changed configuration model KYY23.

The changed parts are as follows,

1. Dimensions, Metal parts, Antenna type.

Additionally, differences of KYY23/KYV31 is added to next page.

Sincerely



Responsible Name:

Yoshikazu Yamamoto

Title:

Manager of Quality Assurance

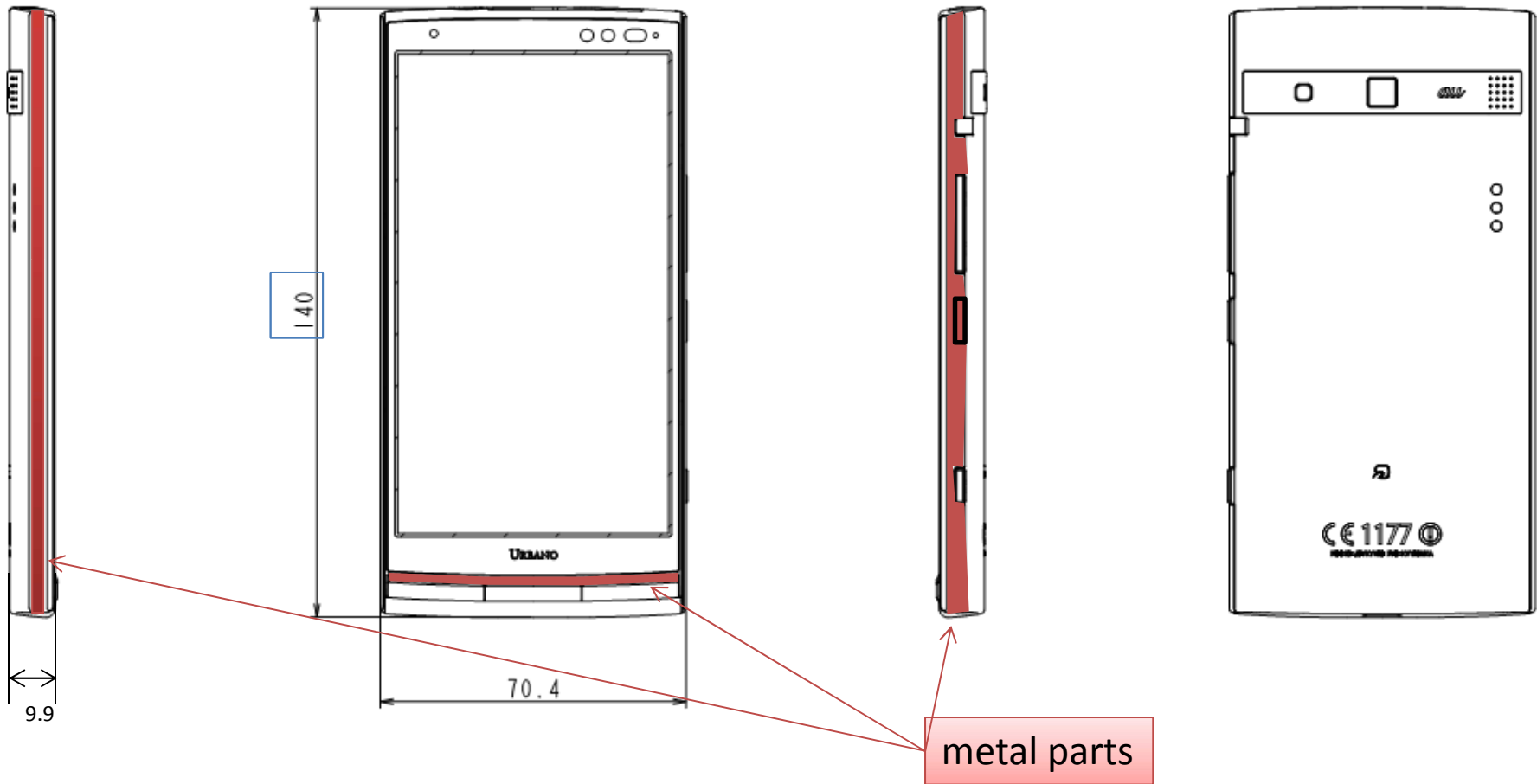
Dept.

The differences between KYY23 (FCC ID: JOYKYY23) and similarity mode: KYV31

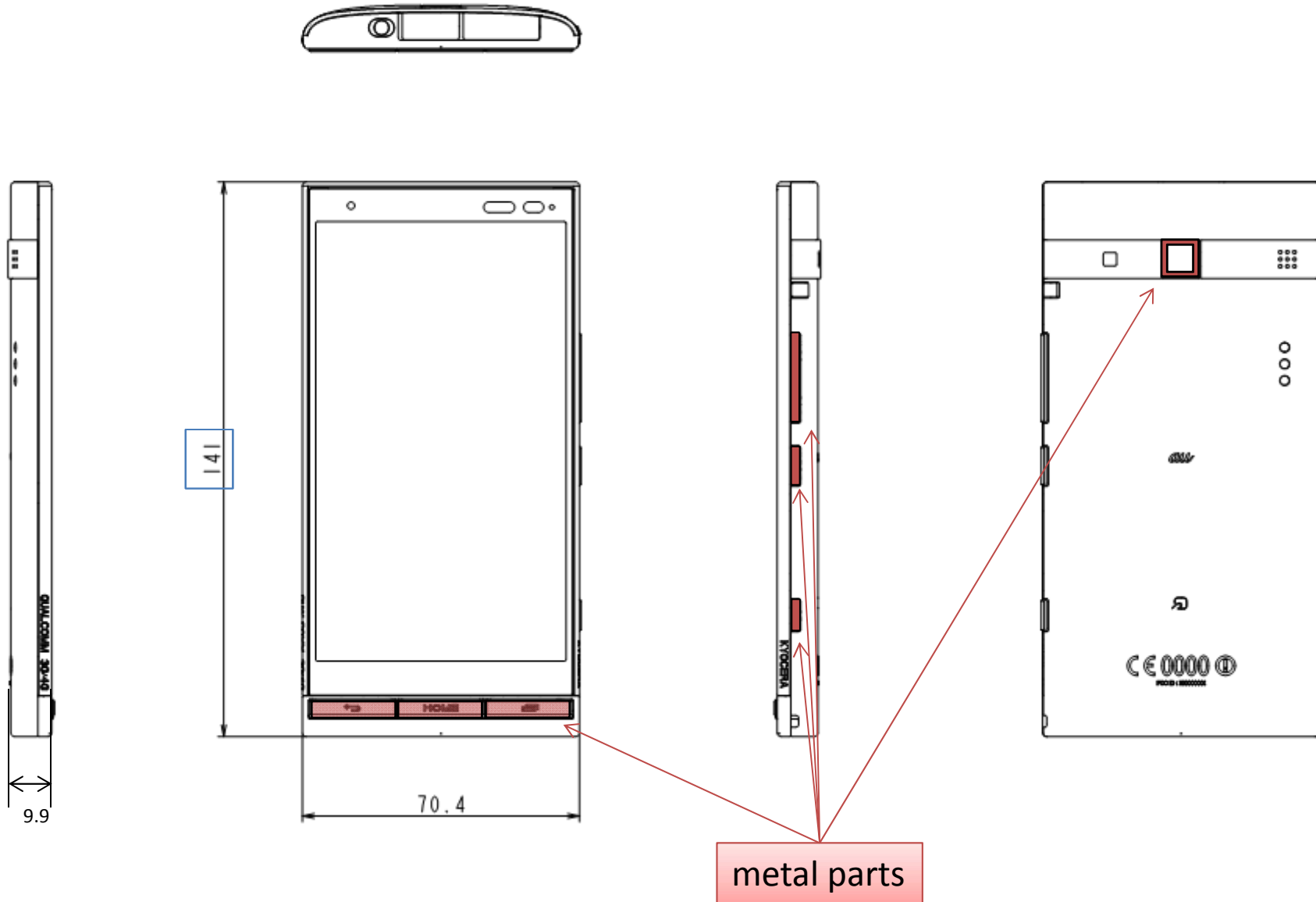
| Item                    | KYY23(base model)                                  | KYV31                        |
|-------------------------|--|------------------------------|
| Dimensions              | 70.4 x <b>140</b> x 9.9 [mm]                       | 70.4 x <b>141</b> x 9.9 [mm] |
| Metal parts             | See Page2  | See Page3                    |
| Antenna elements length | With the enclosure change, there are some changes. |                              |
| Antenna type            | LDS (Printed antenna)                              | Metal antenna                |

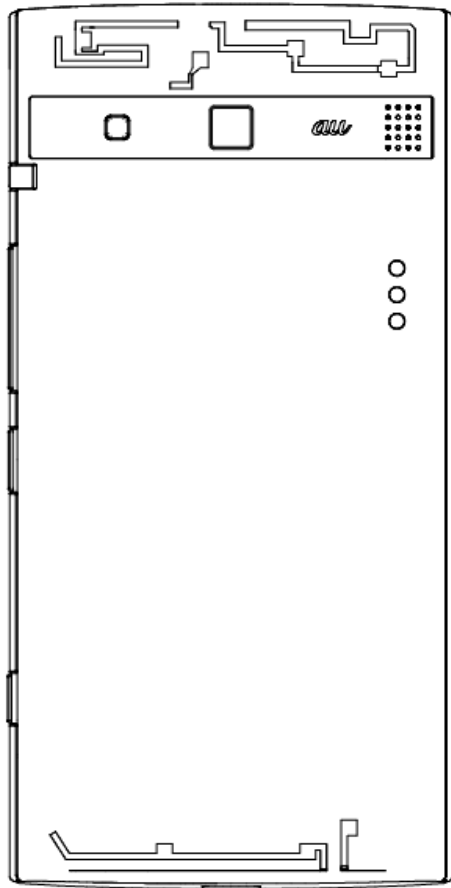
All Printed Circuit Board (PCB) and installed components are the same with KYY23.

# Base model (KYY23)

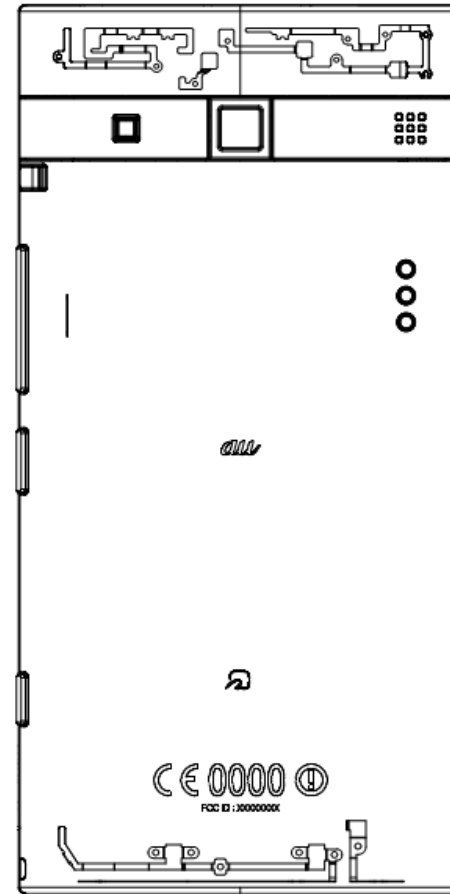


# KYV31





KYY23(Base Model)



KYV31

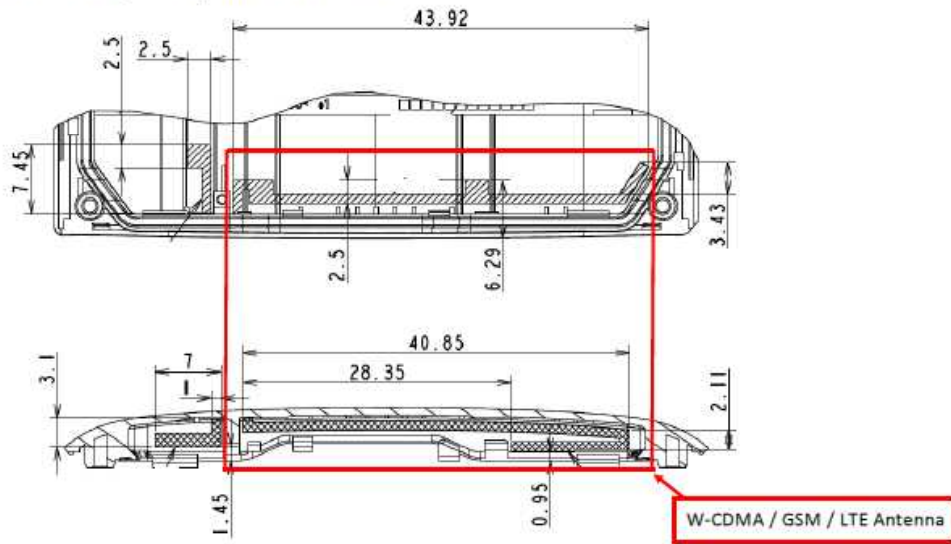
# Antenna element drawings and gain table

The differences between KYY23 (FCC ID: JOYKYY23) and similarity mode: KYV31

Antenna is a change of the antenna shape.  
See page following.

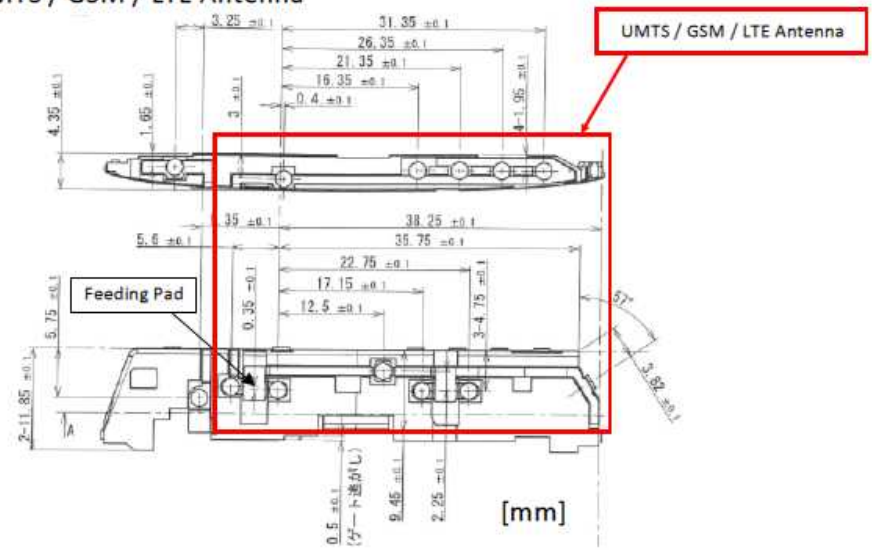
# KYY23

W-CDMA / GSM / LTE Antenna



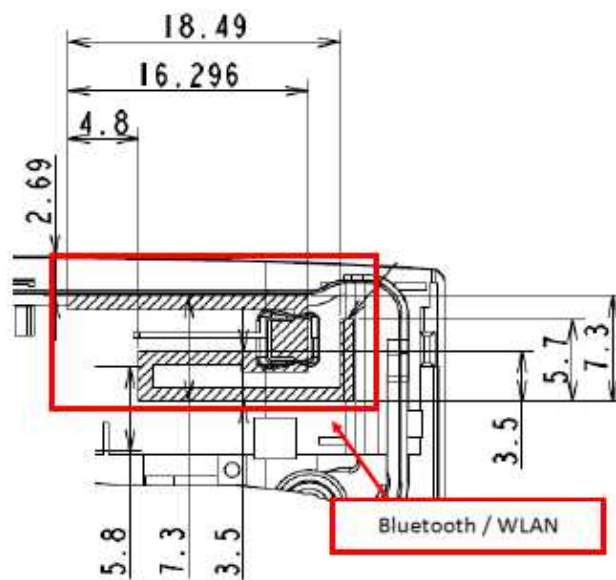
# KYV31

UMTS / GSM / LTE Antenna



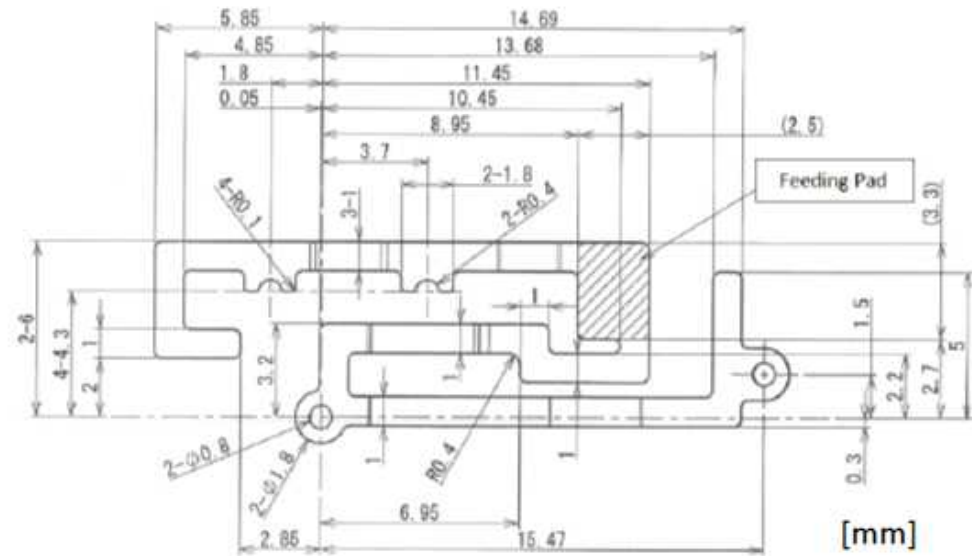
# KYY23

Bluetooth / WLAN Antenna



# KYV31

Bluetooth / WLAN Antenna

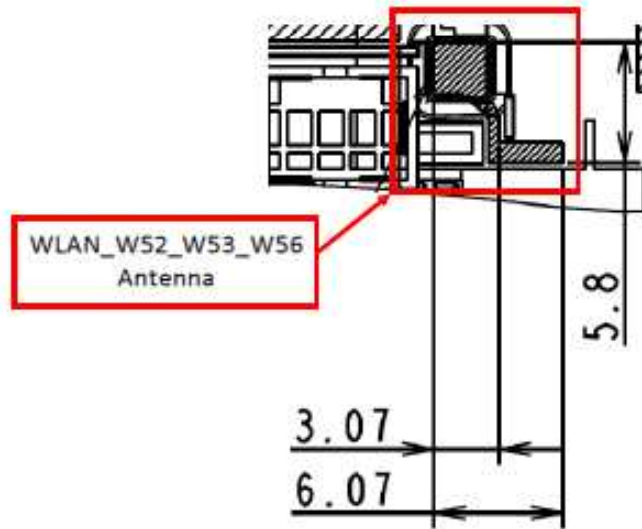




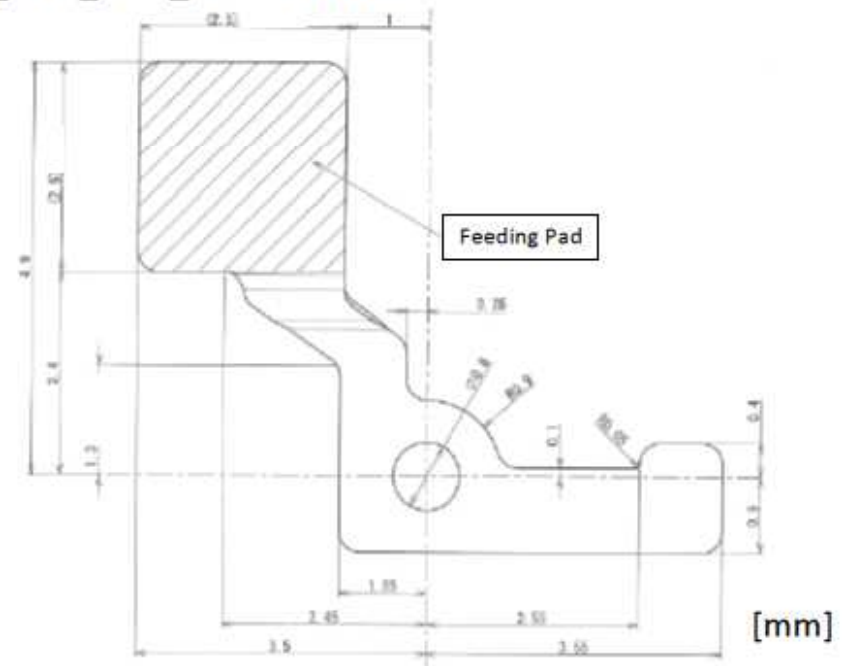
KYY23

KYV31

WLAN\_W52\_W53\_W56 Antenna



WLAN\_W52\_W53\_W56 Antenna



# KYY23

## Antenna Gain

|                  |      |
|------------------|------|
| W-CDMA band 1    | 0dBi |
| W-CDMA band 2    | 0dBi |
| W-CDMA band 5    | 0dBi |
| W-CDMA band 8    | 0dBi |
| GSM850           | 0dBi |
| GSM900           | 0dBi |
| GSM1800          | 0dBi |
| GSM1900          | 0dBi |
| LTE band 3       | 0dBi |
| LTE band 17      | 0dBi |
| Bluetooth / WLAN | 0dBi |
| WLAN_W52_W53_W56 | 0dBi |

# KYV31

## Antenna Gain

|                  |          |
|------------------|----------|
| UMTS Band 1      | 0.1 dBi  |
| UMTS Band 2      | -0.7 dBi |
| UMTS Band 5      | -1.5 dBi |
| UMTS Band 8      | -2.7 dBi |
| GSM850           | -1.5 dBi |
| GSM900           | -2.7 dBi |
| GSM1800          | -1.0 dBi |
| GSM1900          | -0.7 dBi |
| LTE Band 3       | -1.0 dBi |
| LTE Band 17      | -2.2 dBi |
| Bluetooth / WLAN | -0.3 dBi |
| WLAN_W52_W53     | -0.5 dBi |
| WLAN_W56         | -0.3 dBi |