

FCC Test Report

(PART 90S)

Report No.: RFBHAA-WTW-P20070391-3

FCC ID: JOYDA39

Test Model: AL-T51A2-1

Series Model: AL-T52V1 (refer to item 3.1 for more details)

Received Date: Jul. 20, 2020

Test Date: Aug. 01 ~ Aug. 15, 2020

Issued Date: Sep. 01, 2020

Applicant: Kyocera Corporation

Address: 2-1-1 Kagahara, Tsuzuki-ku Yokohama-city Kanagawa 224-8502 Japan

Issued By: Bureau Veritas Consumer Products Services (H.K.) Ltd., Taoyuan Branch
Lin Kou Laboratories

Lab Address: No. 47-2, 14th Ling, Chia Pau Vil., Lin Kou Dist., New Taipei City, Taiwan

Test Location: No.19, Hwa Ya 2nd Rd., Wen Hwa Vil., Kwei Shan Dist., Taoyuan City
33383, Taiwan

**FCC Registration /
Designation Number:** 788550 / TW0003



This report is for your exclusive use. Any copying or replication of this report to or for any other person or entity, or use of our name or trademark, is permitted only with our prior written permission. This report sets forth our findings solely with respect to the test samples identified herein. The results set forth in this report are not indicative or representative of the quality or characteristics of the lot from which a test sample was taken or any similar or identical product unless specifically and expressly noted. Our report includes all of the tests requested by you and the results thereof based upon the information that you provided to us. You have 60 days from date of issuance of this report to notify us of any material error or omission caused by our negligence, provided, however, that such notice shall be in writing and shall specifically address the issue you wish to raise. A failure to raise such issue within the prescribed time shall constitute your unqualified acceptance of the completeness of this report, the tests conducted and the correctness of the report contents. Unless specific mention, the uncertainty of measurement has been explicitly taken into account to declare the compliance or non-compliance to the specification.

Table of Contents

Release Control Record	3
1 Certificate of Conformity	4
2 Summary of Test Results.....	5
2.1 Measurement Uncertainty.....	5
2.2 Test Site and Instruments	6
3 General Information	7
3.1 General Description of EUT	7
3.2 Configuration of System under Test.....	9
3.2.1 Description of Support Units	9
3.3 Test Mode Applicability and Tested Channel Detail	10
3.4 General Description of Applied Standards and references.....	10
4 Test Types and Results	11
4.1 Output Power Measurement.....	11
4.1.1 Limits of Output Power Measurement	11
4.1.2 Test Procedures.....	11
4.1.3 Test Setup.....	12
4.1.4 Test Results	13
4.2 Radiated Emission Measurement.....	17
4.2.1 Limits of Radiated Emission Measurement	17
4.2.2 Test Procedure	17
4.2.3 Deviation from Test Standard	17
4.2.4 Test Setup.....	18
4.2.5 Test Results	19
5 Pictures of Test Arrangements.....	22
Appendix – Information of the Testing Laboratories	23

Release Control Record

Issue No.	Description	Date Issued
RFBHAA-WTW-P20070391-3	Original Release	Sep. 01, 2020

1 Certificate of Conformity

Product: Telematics Module

Brand: Kyocera

Test Model: AL-T51A2-1

Series Model: AL-T52V1 (refer to item 3.1 for more details)

Sample Status: Engineering Sample


Applicant: Kyocera Corporation

Test Date: Aug. 01 ~ Aug. 15, 2020

Standards: FCC Part 90, Subpart I, S
FCC Part 2

This report is issued as a supplementary report of RF180129C24-3. This report shall be used combined together with its original report.

Prepared by : , **Date:** Sep. 01, 2020
Gina Liu / Specialist

Approved by : , **Date:** Sep. 01, 2020
Dylan Chiou / Senior Project Engineer

2 Summary of Test Results

Applied Standard: FCC Part 90 & Part 2 (LTE 26)			
FCC Clause	Test Item	Result	Remarks
2.1046 90.635 (b)	Effective Radiated Power	Pass	Meet the requirement of limit.
2.1047	Modulation Characteristics	N/A	Refer to Note 1
2.1055 90.213	Frequency Stability	N/A	Refer to Note 1
2.1049 90.209	Occupied Bandwidth	N/A	Refer to Note 1
90.210	Emission Masks	N/A	Refer to Note 1
2.1051 90.691	Conducted Spurious Emissions	N/A	Refer to Note 1
2.1053 90.691	Radiated Spurious Emissions	Pass	Meet the requirement of limit. Minimum passing margin is -18.1 dB at 30.00 MHz.

N/A: Not Applicable

Note:

1. The equivalent radiated power and radiated spurious emissions test items are performed for the addendum, according to the worst case of the original report. Refer to original report for the other test data.
2. Determining compliance based on the results of the compliance measurement, not taking into account measurement instrumentation uncertainty.

2.1 Measurement Uncertainty

Where relevant, the following measurement uncertainty levels have been estimated for tests performed on the EUT as specified in CISPR 16-4-2:

Measurement	Frequency	Expanded Uncertainty (k=2) (±)
Radiated Emissions up to 1 GHz	9 kHz ~ 30 MHz	3.04 dB
	30 MHz ~ 200 MHz	2.93 dB
	200 MHz ~ 1000 MHz	2.95 dB
Radiated Emissions above 1 GHz	1 GHz ~ 18 GHz	2.26 dB
	18 GHz ~ 40 GHz	1.94 dB

2.2 Test Site and Instruments

Description & Manufacturer	Model No.	Serial No.	Date of Calibration	Due Date of Calibration
Test Receiver KEYSIGHT	N9038A	MY55420137	Apr. 15, 2019	Apr. 14, 2020
Spectrum Analyzer ROHDE & SCHWARZ	FSP40	100039	Jun. 12, 2019	Jun. 11, 2020
Spectrum Analyzer KEYSIGHT	N9030B	MY57140953	Jun. 28, 2019	Jun. 27, 2020
MXG Vector signal generator Agilent	N5182B	MY53050162	Jan. 14, 2020	Jan. 13, 2021
Radio Communication Analyzer Anritsu	MT8820C	6201300640	Aug. 19, 2019	Aug. 18, 2020
BILOG Antenna SCHWARZBECK	VULB9168	9168-160	Nov. 07, 2019	Nov. 06, 2020
HORN Antenna SCHWARZBECK	BBHA 9120 D	9120D-1169	Nov. 24, 2019	Nov. 23, 2020
BILOG Antenna SCHWARZBECK	VULB9168	9168-472	Nov. 08, 2019	Nov. 07, 2020
Loop Antenna TESEQ	HLA 6121	45745	Jul. 01, 2019	Jun. 30, 2020
Preamplifier Agilent (Below 1GHz)	8447D	2944A10638	Jul. 11, 2019	Jul. 10, 2020
Preamplifier Agilent (Above 1GHz)	8449B	3008A02367	Feb. 18, 2020	Feb. 17, 2021
RF signal cable HUBER+SUHNER&EMCI	SUCOFLEX 104 & EMC104-SM- SM8000	CABLE-CH9-02 (248780+171006)	Jan. 18, 2020	Jan. 17, 2021
RF signal cable HUBER+SUHNER	SUCOFLEX 104	CABLE-CH9-(2507 95/4)	Jul. 11, 2019	Jul. 10, 2020
RF signal cable Woken	8D-FB	Cable-CH9-01	Jul. 30, 2019	Jul. 29, 2020
Software BV ADT	ADT_Radiated_ V7.6.15.9.5	NA	NA	NA
Antenna Tower inn-co GmbH	MA 4000	010303	NA	NA
Antenna Tower Controller BV ADT	AT100	AT93021703	NA	NA
Turn Table BV ADT	TT100	TT93021703	NA	NA
Turn Table Controller BV ADT	SC100	SC93021703	NA	NA
Boresight Antenna Fixture	FBA-01	FBA-SIP01	NA	NA
Pre-amplifier (18GHz-40GHz) EMC	EMC184045B	980175	Sep. 05, 2019	Sep. 04, 2020
JFW 20dB attenuation	50HF-020-SMA	NA	NA	NA

Note: 1. The calibration interval of the above test instruments is 12 months and the calibrations are traceable to NML/ROC and NIST/USA.

2. The test was performed in HwaYa Chamber 9.

3 General Information

3.1 General Description of EUT

Product	Telematics Module	
Brand	Kyocera	
Test Model	AL-T51A2-1	
Series Model	AL-T52V1	
Status of EUT	Engineering Sample	
Power Supply Rating	5Vdc	
Modulation Type	LTE	QPSK, 16QAM
Frequency Range	LTE Band 26 (Channel Bandwidth: 1.4 MHz)	814.7 ~ 823.3 MHz
	LTE Band 26 (Channel Bandwidth: 3 MHz)	815.5 ~ 822.5 MHz
	LTE Band 26 (Channel Bandwidth: 5 MHz)	816.5 ~ 821.5 MHz
	LTE Band 26 (Channel Bandwidth: 10 MHz)	819 MHz
Max. ERP Power	LTE Band 26 (Channel Bandwidth: 1.4 MHz)	213.796 mW (23.30dBm)
	LTE Band 26 (Channel Bandwidth: 3 MHz)	199.526 mW (23.00dBm)
	LTE Band 26 (Channel Bandwidth: 5 MHz)	194.984 mW (22.90dBm)
	LTE Band 26 (Channel Bandwidth: 10 MHz)	181.970 mW (22.60dBm)
Antenna Type	Refer to Note as below	
Accessory Device	Refer to Note as below	
Data Cable Supplied	Refer to Note as below	

Note:

1. This report is prepared for FCC class II permissive change. The difference compared with the original report (BV CPS report no.: RF180129C24-3) is adding one model name, , the new model only disable LTE Band 13 and changing RF components & circuit. The effective isotropic radiated power and radiated spurious emissions test items are performed for the addendum, according to the worst case of the original report. Refer to original report for the other test data.
2. All models are listed as below. (New model is marked in boldface.)

Brand	Model	Difference
Kyocera	AL-T52V1	Support WCDMA Band 2, 4, 5 and LTE Band 2, 4, 12, 13, 26
	AL-T51A2-1	Support WCDMA Band 2, 4, 5 and LTE Band 2, 4, 12, 26

3. The EUT uses following antennas (support units).

Antenna 1					
Antenna Type	AUX		Connector Type		SMA
Manufacturer	YOKOWO		Part Number		86769-459B1
Band	B12	B13	B5 / B26	B4	B2
Frequency (MHz)	704	782	832	1730	1880
Gain (dBi)	3.1	3.2	3.8	2.6	2.0

Antenna 2					
Antenna Type	AUX		Connector Type		SMA
Manufacturer	taoglas		Part Number		TG.30.8113
Band	B12	B5 / B26		B4	B2
Frequency (MHz)	700-800	824-960		1710-1880	1850-1990
Free Space Straight Gain (dBi)	1.1	0.3		1.9	2.7
Free Space Bent Gain (dBi)	2.6	1.5		2.7	3.1

Antenna 3					
Antenna Type	AUX		Connector Type		Inverted-F
Manufacturer	MinebeaMitsumi		Part Number		DN4E 66T30
Band	B12 / B13		B5 / B26	B4	B2
Frequency (MHz)	700-800		824-960	1710-1880	1850-1990
Gain (dBd)	-0.3		-0.3	0.4	0.4
Gain (dBi)	1.85		1.85	2.55	2.55

dBi = dBd + 2.15

Antenna 4					
Antenna Type	External		Connector Type		Inverted-F
Manufacturer	Mitsumi Electric		Part Number		KJK966 T30
Band	B12 / B13		B5 / B26	B4	B2
Frequency (MHz)	700-800		824-960	1710-1880	1850-1990
Gain (dBi)	1.0		1.0	0.4	0.4

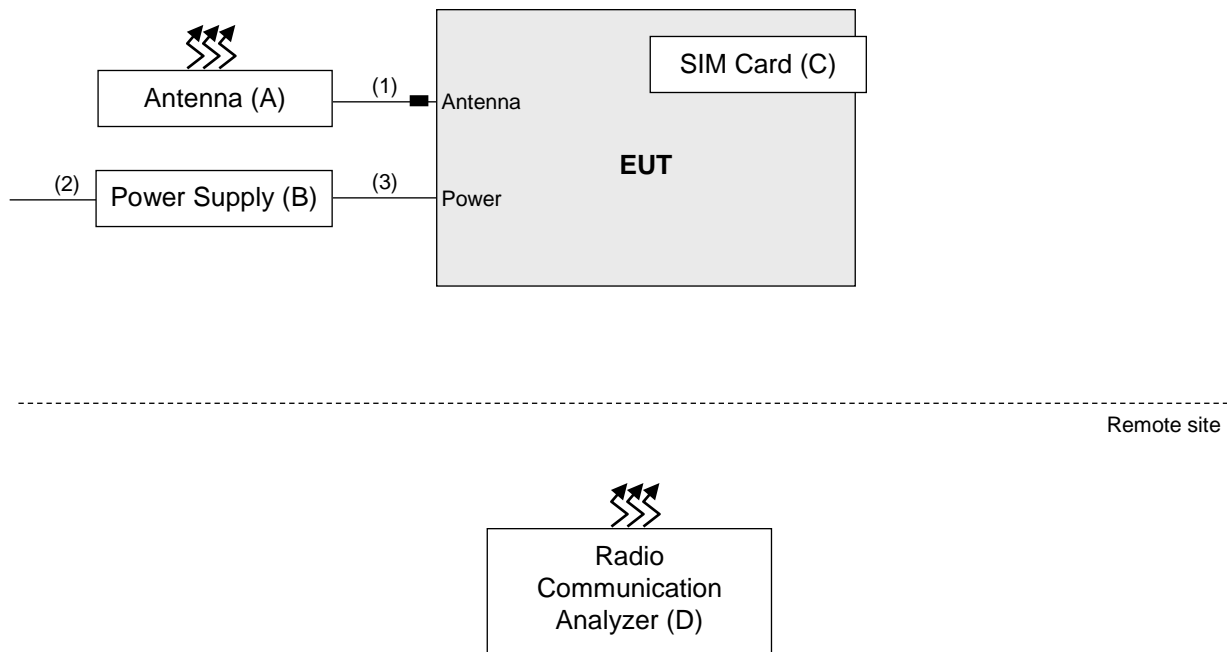
Antenna 5					
Antenna Type	External		Connector Type		Inverted-F
Manufacturer	HARADA INDUSTRY		Part Number		TD2K 66 T30
Band	B12 / B13		B5 / B26	B4	B2
Frequency (MHz)	700-800		824-960	1710-1880	1850-1990
Gain (dBi)	-2.1		-2.1	-1.2	-1.2

For WCDMA Band 2 and LTE Band 2: Antenna 2 was chosen for final test according to manufacturer's requirement.

For WCDMA Band 4, 5 and LTE Band 4, 5, 12, 13, 26: Antenna 1 was chosen for final test according to manufacturer's requirement.

4. The above Antenna information is declared by manufacturer and for more detailed features description, please refer to the manufacturer's specifications, the laboratory shall not be held responsible

3.2 Configuration of System under Test



3.2.1 Description of Support Units

The EUT has been tested as an independent unit together with other necessary accessories or support units. The following support units or accessories were used to form a representative test configuration during the tests.

ID	Product	Brand	Model No.	Serial No.	FCC ID	Remarks
A.	Antenna	taoglas	TG.30.8113	NA	NA	Provided by manufacturer
B.	Power Supply	Inspower	DC400-20D	212004	FCC DoC Approved	Provided by manufacturer Input: 100-240Vac, 0.4A, 50-60Hz Output: 5Vdc, 3A
C.	SIM Card	NA	NA	NA	NA	Provided by manufacturer
D.	Radio Communication Analyzer	Anritsu	MT8820C	6201300640	NA	-

Note:

1. All power cords of the above support units are non-shielded (1.8m).
2. Item D and E acted as a communication partners to transfer data.

ID	Descriptions	Qty.	Length (m)	Shielding (Yes/No)	Cores (Qty.)	Remarks
1.	Antenna	1	3	N	1	Provided by manufacturer
2.	Power	1	1.75	N	0	Provided by manufacturer
3.	Module cable	2	0.08	N	0	Attached on EUT

Note: The core(s) is(are) originally attached to the cable(s).

3.3 Test Mode Applicability and Tested Channel Detail

Pre-Scan has been conducted to determine the worst-case mode from all possible combinations between available modulations, data rates, XYZ axis and antenna ports. The worst case was found when positioned on Z-plane. Following channel(s) was (were) selected for the final test as listed below.

LTE Band 26

EUT Configure Mode	Test Item	Available Channel	Tested Channel	Channel Bandwidth	Modulation	Mode
-	ERP	26697 to 26783	26697 (814.7MHz), 26740 (819.0MHz), 26783 (823.3MHz)	1.4MHz	QPSK	1 RB / 0 RB Offset
		26705 to 26775	26705 (815.5MHz), 26740 (819.0MHz), 26775 (822.5MHz)	3MHz	QPSK	1 RB / 0 RB Offset
		26715 to 26765	26715 (816.5MHz), 26740 (819.0MHz), 26765 (821.5MHz)	5MHz	QPSK	1 RB / 0 RB Offset
		26740	26740 (819.0MHz)	10MHz	QPSK	1 RB / 0 RB Offset
-	Radiated Emission	26697 to 26783	26740 (819MHz)	1.4 MHz	QPSK	1 RB / 0 RB Offset

Test Condition:

Test Item	Environmental Conditions	Input Power	Tested By
ERP	25 deg. C, 65 % RH	120 Vac, 60 Hz	Greg Lin
Radiated Emission	25 deg. C, 65 % RH	120 Vac, 60 Hz	Greg Lin

3.4 General Description of Applied Standards and references

The EUT is a RF Product. According to the specifications of the manufacturer, it must comply with the requirements of the following standards and references:

Test Standard:

FCC 47 CFR Part 2

FCC 47 CFR Part 90

ANSI 63.26-2015

Note: All test items have been performed and recorded as per the above standards.

References Test Guidance:

KDB 971168 D01 Power Meas License Digital Systems v03r01

KDB 971168 D02 Misc Rev Approv License Devices v02r01

ANSI/TIA/EIA-603-E 2016

Note: All test items have been performed as a reference to the above KDB test guidance.

4 Test Types and Results

4.1 Output Power Measurement

4.1.1 Limits of Output Power Measurement

The maximum output power of the transmitter for mobile stations is 100 watts (20 dBw) ERP.

4.1.2 Test Procedures

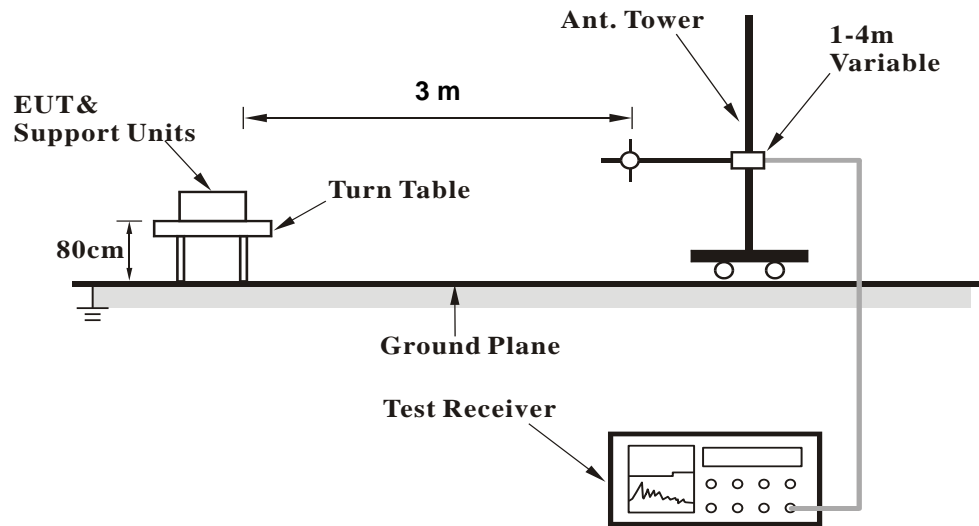
EIRP / ERP Measurement:

- a. All measurements were done at low, middle and high operational frequency range. 10 MHz for LTE mode, and $VBW \geq 3 \times RBW$.
- b. Substitution method is used for E.I.R.P measurement. In the semi-anechoic chamber, EUT placed on the 0.8 m (below or equal 1 GHz) and/or 1.5 m (above 1 GHz) height of Turn Table, rotated the table around 360 degrees to search the maximum radiation power and receiver antenna shall be rotated vertical and horizontal polarization and moved height from 1 m to 4 m to find the maximum polar radiated power. The "Read Value" is the spectrum reading the maximum power value.
- c. The substitution horn antenna is substituted for EUT at the same position and signals generator export the CW signal to the substitution antenna via a tx cable. Rotated the Turn Table and moved receiving antenna to find the maximum radiation power. Adjust output power level of S.G to get a Value of spectrum reading equal to "Read Value" of step b. Record the power level of S.G.
- d. $EIRP = \text{Output power level of S.G} - \text{TX cable loss} + \text{Antenna gain of substitution horn}$. E.R.P power can be calculated form E.I.R.P power by subtracting the gain of dipole, $E.R.P \text{ power} = E.I.P.R \text{ power} - 2.15 \text{ dB}$.

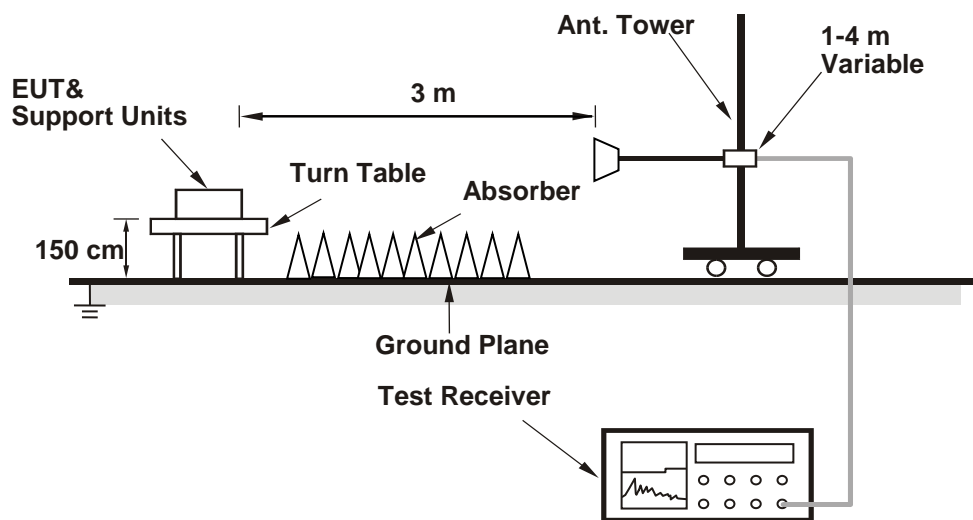
4.1.3 Test Setup

EIRP / ERP Measurement:

<Radiated Emission below or equal 1 GHz>



<Radiated Emission above 1 GHz>



For the actual test configuration, please refer to the attached file (Test Setup Photo).

4.1.4 Test Results

ERP Power (dBm)

QPSK

LTE Band 26, Channel Bandwidth 1.4MHz

ANTENNA POLARITY & TEST DISTANCE: HORIZONTAL AT 3 M							
Channel	FREQ. (MHz)	READING (dBm)	S.G POWER VALUE (dBm)	CORRECTIO N FACTOR (dB)	ERP (dBm)	LIMIT (dBm)	MARGIN (dB)
26697	814.70	-7.90	18.90	3.90	22.80	50.00	-27.20
26740	819.00	-7.80	19.40	3.90	23.30	50.00	-26.70
26783	823.30	-8.90	18.70	3.90	22.60	50.00	-27.40
ANTENNA POLARITY & TEST DISTANCE: VERTICAL AT 3 M							
Channel	FREQ. (MHz)	READING (dBm)	S.G POWER VALUE (dBm)	CORRECTIO N FACTOR (dB)	ERP (dBm)	LIMIT (dBm)	MARGIN (dB)
26697	814.70	-18.10	9.80	3.90	13.70	50.00	-36.30
26740	819.00	-17.00	11.10	3.90	15.00	50.00	-35.00
26783	823.30	-17.60	10.70	3.90	14.60	50.00	-35.40

NOTE: Power Value(dBm) = S.G Power Value(dBm) + Correction Factor(dB)

LTE Band 26, Channel Bandwidth 3MHz

ANTENNA POLARITY & TEST DISTANCE: HORIZONTAL AT 3 M							
Channel	FREQ. (MHz)	READING (dBm)	S.G POWER VALUE (dBm)	CORRECTIO N FACTOR (dB)	ERP (dBm)	LIMIT (dBm)	MARGIN (dB)
26705	815.50	-8.20	18.70	3.90	22.60	50.00	-27.40
26740	819.00	-8.10	19.10	3.90	23.00	50.00	-27.00
26775	822.50	-8.50	19.00	3.90	22.90	50.00	-27.10
ANTENNA POLARITY & TEST DISTANCE: VERTICAL AT 3 M							
Channel	FREQ. (MHz)	READING (dBm)	S.G POWER VALUE (dBm)	CORRECTIO N FACTOR (dB)	ERP (dBm)	LIMIT (dBm)	MARGIN (dB)
26705	815.50	-18.10	9.70	3.90	13.60	50.00	-36.40
26740	819.00	-17.60	10.50	3.90	14.40	50.00	-35.60
26775	822.50	-17.60	10.60	3.90	14.50	50.00	-35.50

NOTE: Power Value(dBm) = S.G Power Value(dBm) + Correction Factor(dB)

LTE Band 26, Channel Bandwidth 5MHz

ANTENNA POLARITY & TEST DISTANCE: HORIZONTAL AT 3 M							
Channel	FREQ. (MHz)	READING (dBm)	S.G POWER VALUE (dBm)	CORRECTIO N FACTOR (dB)	ERP (dBm)	LIMIT (dBm)	MARGIN (dB)
26715	816.50	-8.50	18.50	3.90	22.40	50.00	-27.60
26740	819.00	-8.40	18.80	3.90	22.70	50.00	-27.30
26765	821.50	-8.40	19.00	3.90	22.90	50.00	-27.10
ANTENNA POLARITY & TEST DISTANCE: VERTICAL AT 3 M							
Channel	FREQ. (MHz)	READING (dBm)	S.G POWER VALUE (dBm)	CORRECTIO N FACTOR (dB)	ERP (dBm)	LIMIT (dBm)	MARGIN (dB)
26715	816.50	-18.60	9.40	3.90	13.30	50.00	-36.70
26740	819.00	-18.00	10.10	3.90	14.00	50.00	-36.00
26765	821.50	-17.20	11.00	3.90	14.90	50.00	-35.10

NOTE: Power Value(dBm) = S.G Power Value(dBm) + Correction Factor(dB)

LTE Band 26, Channel Bandwidth 10MHz

ANTENNA POLARITY & TEST DISTANCE: HORIZONTAL AT 3 M							
Channel	FREQ. (MHz)	READING (dBm)	S.G POWER VALUE (dBm)	CORRECTIO N FACTOR (dB)	ERP (dBm)	LIMIT (dBm)	MARGIN (dB)
26740	819.00	-8.50	18.70	3.90	22.60	50.00	-27.40
ANTENNA POLARITY & TEST DISTANCE: VERTICAL AT 3 M							
Channel	FREQ. (MHz)	READING (dBm)	S.G POWER VALUE (dBm)	CORRECTIO N FACTOR (dB)	ERP (dBm)	LIMIT (dBm)	MARGIN (dB)
26740	819.00	-18.60	9.50	3.90	13.40	50.00	-36.60

NOTE: Power Value(dBm) = S.G Power Value(dBm) + Correction Factor(dB)

16QAM

LTE Band 26, Channel Bandwidth 1.4MHz

ANTENNA POLARITY & TEST DISTANCE: HORIZONTAL AT 3 M							
Channel	FREQ. (MHz)	READING (dBm)	S.G POWER VALUE (dBm)	CORRECTIO N FACTOR (dB)	ERP (dBm)	LIMIT (dBm)	MARGIN (dB)
26697	814.70	-8.90	18.00	3.90	21.90	50.00	-28.10
26740	819.00	-8.80	18.40	3.90	22.30	50.00	-27.70
26783	823.30	-9.70	17.90	3.90	21.80	50.00	-28.20
ANTENNA POLARITY & TEST DISTANCE: VERTICAL AT 3 M							
Channel	FREQ. (MHz)	READING (dBm)	S.G POWER VALUE (dBm)	CORRECTIO N FACTOR (dB)	ERP (dBm)	LIMIT (dBm)	MARGIN (dB)
26697	814.70	-18.90	9.00	3.90	12.90	50.00	-37.10
26740	819.00	-18.00	10.10	3.90	14.00	50.00	-36.00
26783	823.30	-18.40	9.90	3.90	13.80	50.00	-36.20

NOTE: Power Value(dBm) = S.G Power Value(dBm) + Correction Factor(dB)

LTE Band 26, Channel Bandwidth 3MHz

ANTENNA POLARITY & TEST DISTANCE: HORIZONTAL AT 3 M							
Channel	FREQ. (MHz)	READING (dBm)	S.G POWER VALUE (dBm)	CORRECTIO N FACTOR (dB)	ERP (dBm)	LIMIT (dBm)	MARGIN (dB)
26705	815.50	-9.20	17.70	3.90	21.60	50.00	-28.40
26740	819.00	-8.90	18.30	3.90	22.20	50.00	-27.80
26775	822.50	-9.40	18.10	3.90	22.00	50.00	-28.00
ANTENNA POLARITY & TEST DISTANCE: VERTICAL AT 3 M							
Channel	FREQ. (MHz)	READING (dBm)	S.G POWER VALUE (dBm)	CORRECTIO N FACTOR (dB)	ERP (dBm)	LIMIT (dBm)	MARGIN (dB)
26705	815.50	-18.90	8.90	3.90	12.80	50.00	-37.20
26740	819.00	-18.50	9.60	3.90	13.50	50.00	-36.50
26775	822.50	-18.50	9.70	3.90	13.60	50.00	-36.40

NOTE: Power Value(dBm) = S.G Power Value(dBm) + Correction Factor(dB)

LTE Band 26, Channel Bandwidth 5MHz

ANTENNA POLARITY & TEST DISTANCE: HORIZONTAL AT 3 M							
Channel	FREQ. (MHz)	READING (dBm)	S.G POWER VALUE (dBm)	CORRECTIO N FACTOR (dB)	ERP (dBm)	LIMIT (dBm)	MARGIN (dB)
26715	816.50	-9.20	17.70	3.90	21.60	50.00	-28.40
26740	819.00	-9.40	17.80	3.90	21.70	50.00	-28.30
26765	821.50	-9.10	18.20	3.90	22.10	50.00	-27.90
ANTENNA POLARITY & TEST DISTANCE: VERTICAL AT 3 M							
Channel	FREQ. (MHz)	READING (dBm)	S.G POWER VALUE (dBm)	CORRECTIO N FACTOR (dB)	ERP (dBm)	LIMIT (dBm)	MARGIN (dB)
26715	816.50	-19.40	8.60	3.90	12.50	50.00	-37.50
26740	819.00	-19.00	9.10	3.90	13.00	50.00	-37.00
26765	821.50	-18.10	10.10	3.90	14.00	50.00	-36.00

NOTE: Power Value(dBm) = S.G Power Value(dBm) + Correction Factor(dB)

LTE Band 26, Channel Bandwidth 10MHz

ANTENNA POLARITY & TEST DISTANCE: HORIZONTAL AT 3 M							
Channel	FREQ. (MHz)	READING (dBm)	S.G POWER VALUE (dBm)	CORRECTIO N FACTOR (dB)	ERP (dBm)	LIMIT (dBm)	MARGIN (dB)
26740	819.00	-9.30	17.90	3.90	21.80	50.00	-28.20
ANTENNA POLARITY & TEST DISTANCE: VERTICAL AT 3 M							
Channel	FREQ. (MHz)	READING (dBm)	S.G POWER VALUE (dBm)	CORRECTIO N FACTOR (dB)	ERP (dBm)	LIMIT (dBm)	MARGIN (dB)
26740	819.00	-19.40	8.70	3.90	12.60	50.00	-37.40

NOTE: Power Value(dBm) = S.G Power Value(dBm) + Correction Factor(dB)

4.2 Radiated Emission Measurement

4.2.1 Limits of Radiated Emission Measurement

(1) The power of any emission outside a licensee's frequency block shall be attenuated below the transmitter power (P) by at least $43 + 10 \log (P)$ dB. The limit of emission is equal to -13 dBm.

4.2.2 Test Procedure

- a. Substitution method is used for E.I.R.P measurement. In the semi-anechoic chamber, EUT placed on the 0.8 m (below or equal 1 GHz) and/or 1.5 m (above 1 GHz) height of Turn Table, rotated the table around 360 degrees to search the maximum radiation power and receiver antenna shall be rotated vertical and horizontal polarization and moved height from 1 m to 4 m to find the maximum polar radiated power. The "Read Value" is the spectrum reading the maximum power value.
- b. The substitution horn antenna is substituted for EUT at the same position and signals generator export the CW signal to the substitution antenna via a TX cable. Rotated the Turn Table and moved receiving antenna to find the maximum radiation power. Adjust output power level of S.G to get a Value of spectrum reading equal to "Read Value" of step a. Record the power level of S.G.
- c. $EIRP = \text{Output power level of S.G} - \text{TX cable loss} + \text{Antenna gain of substitution horn}$.
- d. E.R.P power can be calculated form E.I.R.P power by subtracting the gain of dipole, $E.R.P \text{ power} = E.I.P.R \text{ power} - 2.15 \text{ dB}$.

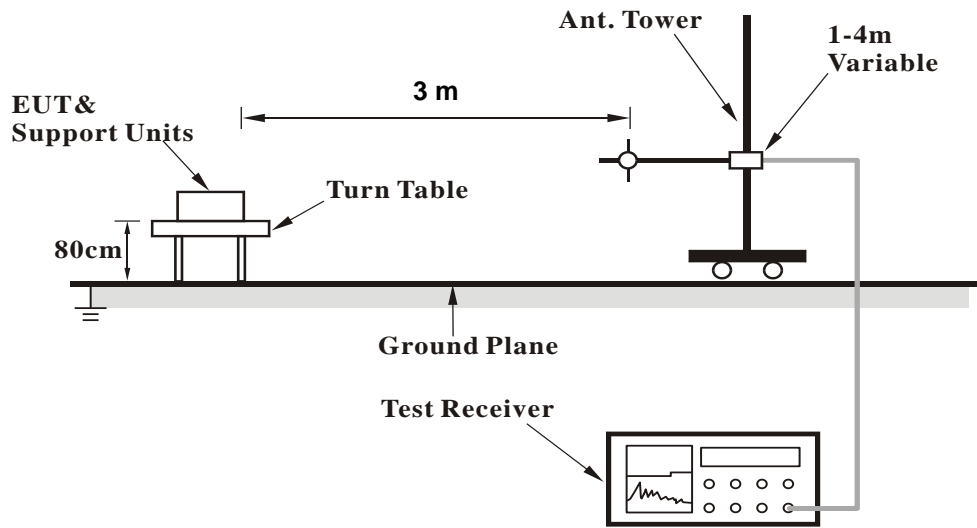
Note: The resolution bandwidth of spectrum analyzer is 1 MHz and the video bandwidth is 3 MHz.

4.2.3 Deviation from Test Standard

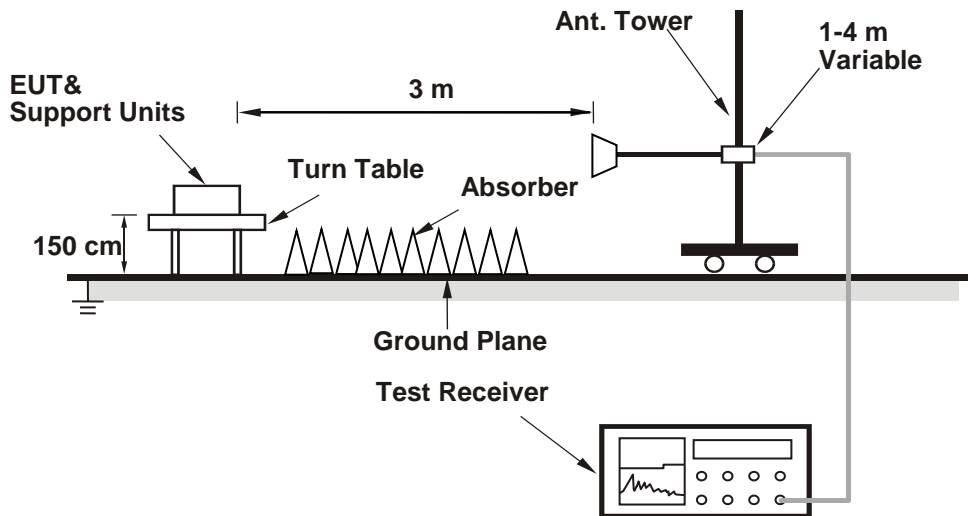
No deviation.

4.2.4 Test Setup

<Radiated Emission below or equal 1 GHz>



<Radiated Emission above 1 GHz>



For the actual test configuration, please refer to the attached file (Test Setup Photo).

4.2.5 Test Results

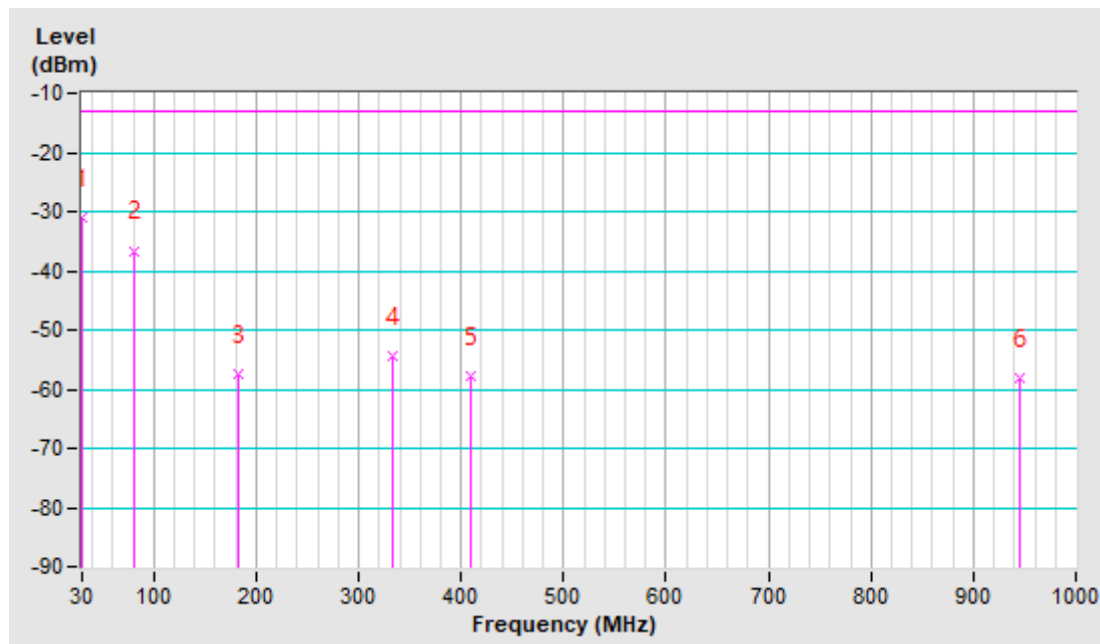
LTE BAND 26, CHANNEL BANDWIDTH: 1.4MHz

Mode	TX channel 26740 (819MHz)	Frequency Range	Below 1000 MHz
Environmental Conditions	22deg. C, 68%RH	Input Power	120Vac, 60Hz
Tested By	Greg Lin		

ANTENNA POLARITY & TEST DISTANCE: HORIZONTAL AT 3 M							
NO.	FREQ. (MHz)	READING (dBm)	S.G POWER VALUE (dBm)	CORRECTION FACTOR (dB)	ERP (dBm)	LIMIT (dBm)	MARGIN (dB)
1	30.00	-33.00	-11.70	-19.40	-31.10	-13.00	-18.10
2	81.41	-29.40	-37.10	0.50	-36.60	-13.00	-23.60
3	182.29	-47.10	-54.60	-3.00	-57.60	-13.00	-44.60
4	332.64	-48.30	-58.30	4.00	-54.30	-13.00	-41.30
5	409.27	-55.20	-60.90	3.20	-57.70	-13.00	-44.70
6	945.68	-64.20	-61.90	3.80	-58.10	-13.00	-45.10

Remarks:

1. ERP (dBm) = S.G Value (dBm) + Correction Factor (dB).
2. Correction Factor (dB) = Substitution Antenna Gain (dB) + Cable Loss (dB).

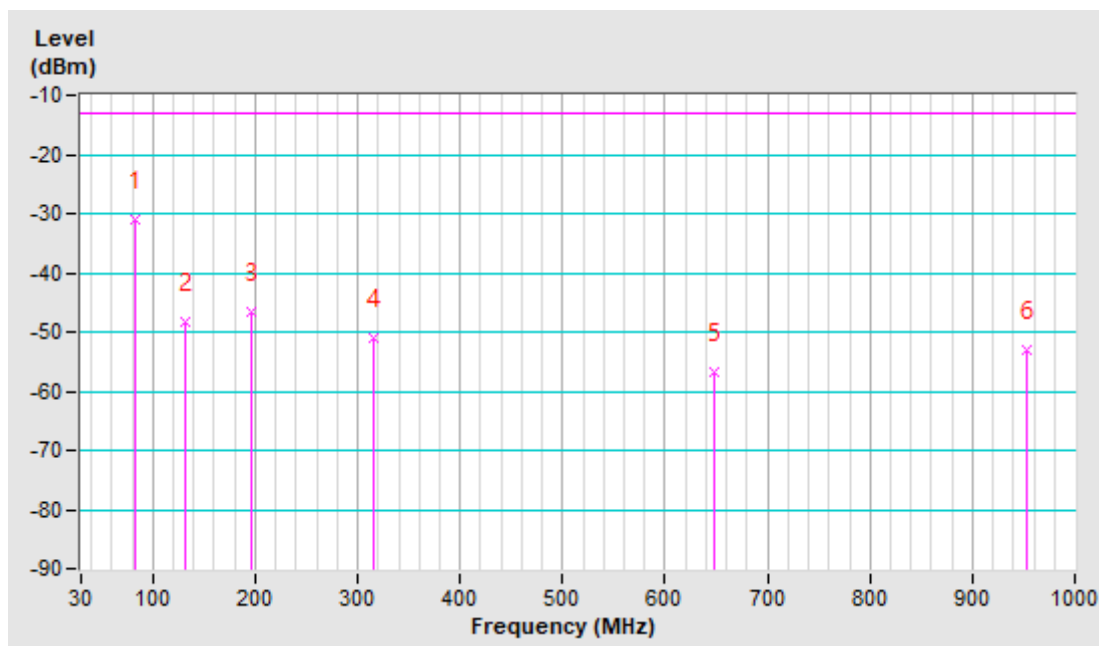


Mode	TX channel 26740 (819MHz)	Frequency Range	Below 1000 MHz
Environmental Conditions	22deg. C, 68%RH	Input Power	120Vac, 60Hz
Tested By	Greg Lin		

ANTENNA POLARITY & TEST DISTANCE: VERTICAL AT 3 M							
NO.	FREQ. (MHz)	READING (dBm)	S.G POWER VALUE (dBm)	CORRECTION FACTOR (dB)	ERP (dBm)	LIMIT (dBm)	MARGIN (dB)
1	80.44	-25.00	-32.30	0.50	-31.80	-13.00	-18.80
2	131.85	-40.00	-43.50	-3.30	-46.80	-13.00	-33.80
3	196.84	-43.90	-44.40	-2.50	-46.90	-13.00	-33.90
4	315.18	-50.00	-56.20	4.00	-52.20	-13.00	-39.20
5	446.13	-59.10	-65.00	3.40	-61.60	-13.00	-48.60
6	943.74	-67.00	-63.80	3.70	-60.10	-13.00	-47.10

Remarks:

1. ERP (dBm) = S.G Value (dBm) + Correction Factor (dB).
2. Correction Factor (dB) = Substitution Antenna Gain (dB) + Cable Loss (dB).



Above 1GHz

LTE Band 26, Channel Bandwidth 1.4MHz

Mode	TX channel 26740 (819MHz)	Frequency Range	1GHz-18GHz
Environmental Conditions	22deg. C, 68%RH	Input Power	120Vac, 60Hz
Tested By	Greg Lin		

ANTENNA POLARITY & TEST DISTANCE: HORIZONTAL AT 3 M							
NO.	FREQ. (MHz)	READING (dBm)	S.G POWER VALUE (dBm)	CORRECTION FACTOR (dB)	ERP (dBm)	LIMIT (dBm)	MARGIN (dB)
1	1638.00 (PK)	-58.60	-50.90	1.00	-49.90	-13.00	-36.90
ANTENNA POLARITY & TEST DISTANCE: VERTICAL AT 3 M							
NO.	FREQ. (MHz)	READING (dBm)	S.G POWER VALUE (dBm)	CORRECTION FACTOR (dB)	ERP (dBm)	LIMIT (dBm)	MARGIN (dB)
1	1638.00 (PK)	-60.40	-53.10	1.00	-52.10	-13.00	-39.10

Remarks:

1. ERP (dBm) = S.G Value (dBm) + Correction Factor (dB).
2. Correction Factor (dB) = Substitution Antenna Gain (dB) + Cable Loss (dB).

5 Pictures of Test Arrangements

Please refer to the attached file (Test Setup Photo).

Appendix – Information of the Testing Laboratories

We, Bureau Veritas Consumer Products Services (H.K.) Ltd., Taoyuan Branch, were founded in 1988 to provide our best service in EMC, Radio, Telecom and Safety consultation. Our laboratories are FCC recognized accredited test firms and accredited according to ISO/IEC 17025.

If you have any comments, please feel free to contact us at the following:

Lin Kou EMC/RF Lab

Tel: 886-2-26052180

Fax: 886-2-26051924

Hsin Chu EMC/RF/Telecom Lab

Tel: 886-3-6668565

Fax: 886-3-6668323

Hwa Ya EMC/RF/Safety Lab

Tel: 886-3-3183232

Fax: 886-3-3270892

Email: service.adt@tw.bureauveritas.com

Web Site: www.bureauveritas-adt.com

The address and road map of all our labs can be found in our web site also.

--- END ---