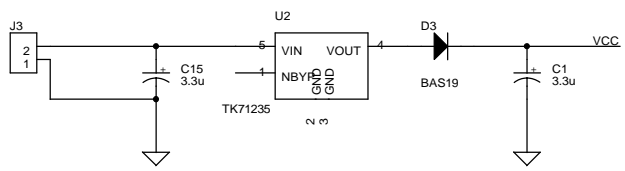
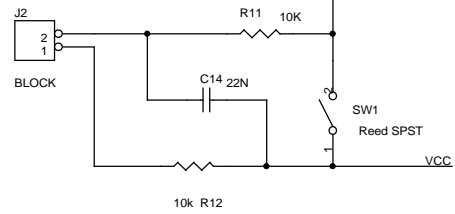
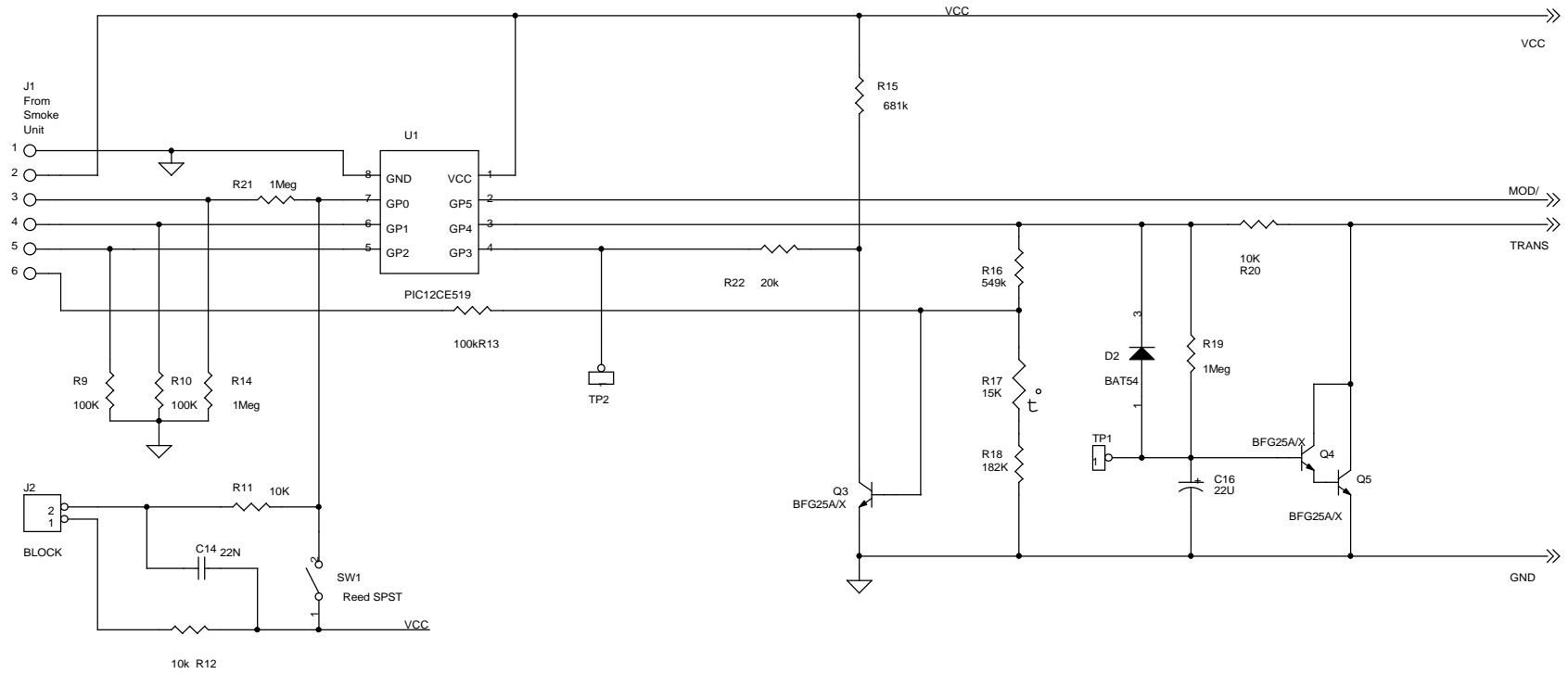


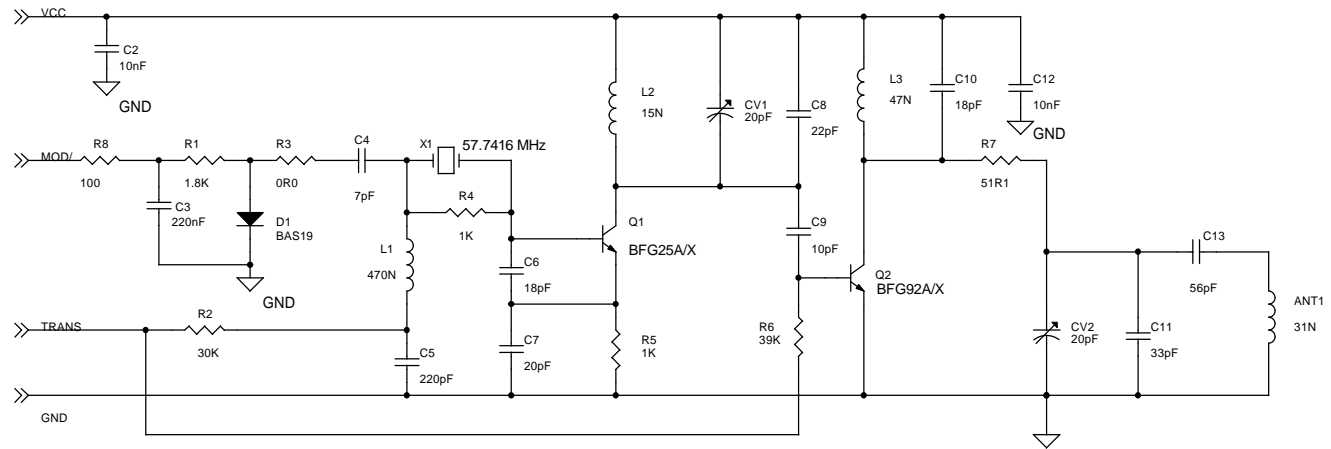
REVISIONS				
ZONE	LTR	DESCRIPTION	DATE	APPROVED
	00	PRODUCTION RELEASE	JUNE 16, 2000	
	01	R2 AND R6 WERE 12K	JUNE 23, 2000	
	02	C3 WAS 10nF	AUG 25, 2000	



PhotoCAD Ottawa, Ontario Canada	
PROJ	4265D-4
DRN	PhotoCAD I.S.
DATE	03-01-99
CHK	PhotoCAD L.D.
APP	
CUSTOMER APP	

<b>ELCOMBE SYSTEMS</b>		
TITLE <b>SCHEMATIC MESSENGER SMOKE/UTX 173 MHz</b>		
SIZE	DWG NO.	
<b>B</b>	4265D-4	<b>87-0633-02-S</b>
REFERENCE	<REFERENCE>	SHEET <b>1</b> OF <b>2</b>

REVISIONS				
ZONE	LTR	DESCRIPTION	DATE	APPROVED
-		SEE SHEET 1		



PhotoCAD Ottawa, Ontario Canada		<b>ELCOMBE SYSTEMS</b>		
PROJ				
DRN	PhotoCAD I.S.	DATE	SCHEMATIC	
CHK	PhotoCAD L.D.	03-01-99	MESSENGER SMOKE/UTX	
APP			173 MHz	
CUSTOMER APP			SIZE	DWG NO.
			B	4265D-4
				87-0633-02-S
		REFERENCE	<REFERENCE>	SHEET 2 OF 2