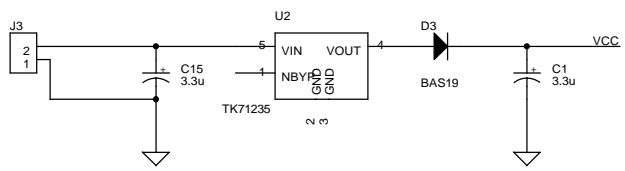
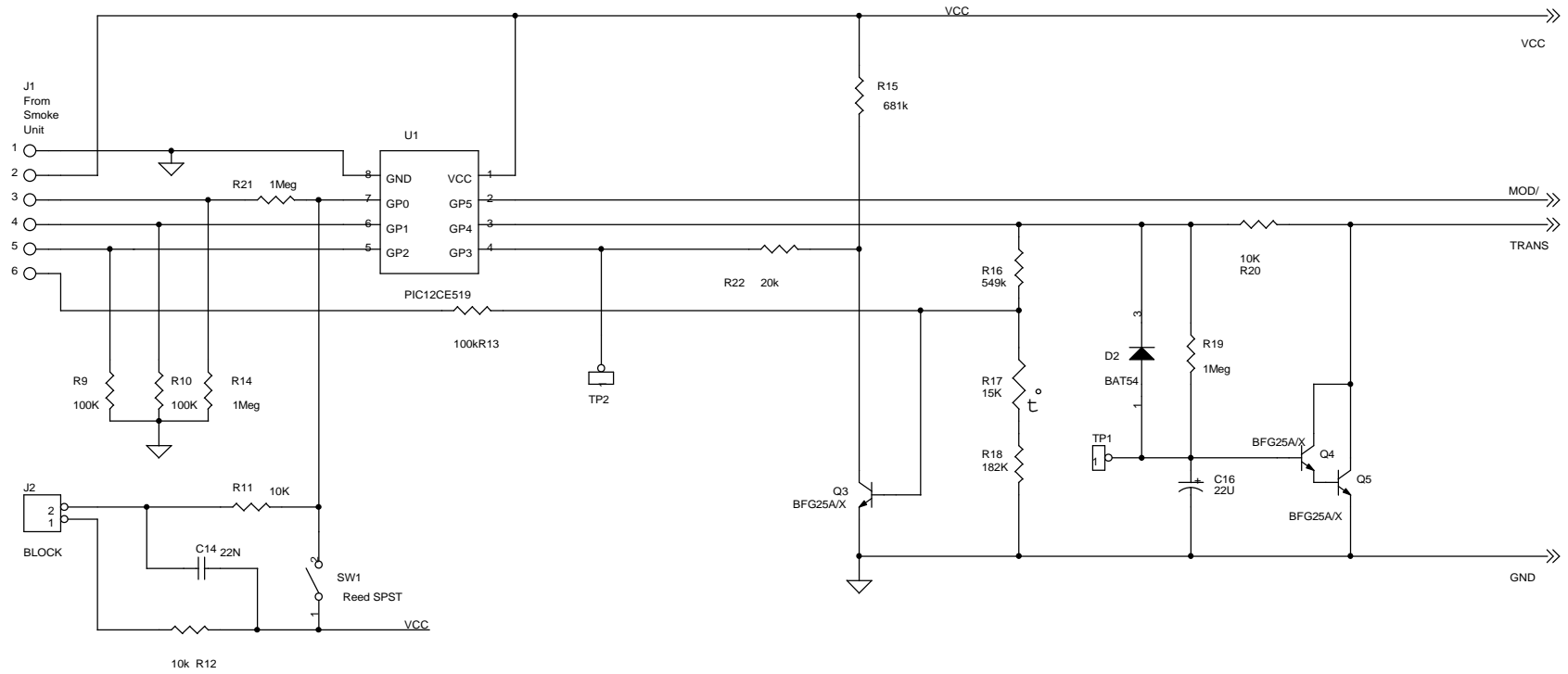


REVISIONS				
ZONE	LTR	DESCRIPTION	DATE	APPROVED
	00	PRODUCTION RELEASE	JUNE 16, 2000	
	01	R2 AND R6 WERE 12K	JUNE 23, 2000	



PhotoCAD Ottawa, Ontario Canada		<h1 style="text-align: center;">ELCOMBE SYSTEMS</h1> <h2 style="text-align: center;">SCHEMATIC MESSENGER SMOKE/UTX 173 MHz</h2>	
PROJ	4265D-4		
DRN	PhotoCAD I.S.	DATE	03-01-99
CHK	PhotoCAD L.D.	03-01-99	
APP		SIZE	
CUSTOMER APP		B	4265D-4
REFERENCE		DWG NO. 87-0633-01-S	
<REFERENCE>		SHEET 1 OF 2	