



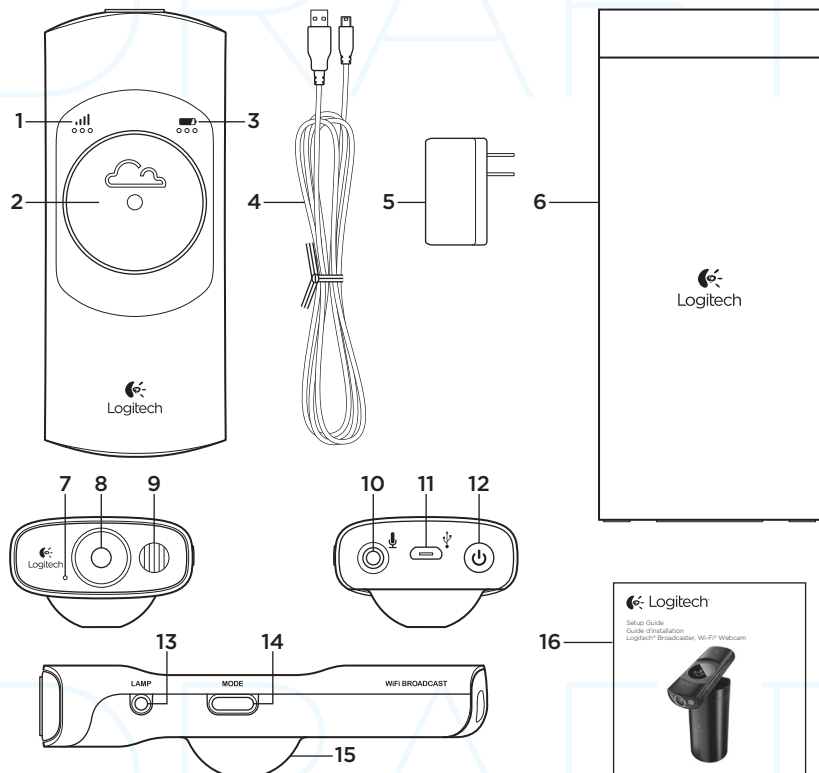
Setup Guide

Guide d'installation

Logitech® Broadcaster, Wi-Fi® Webcam



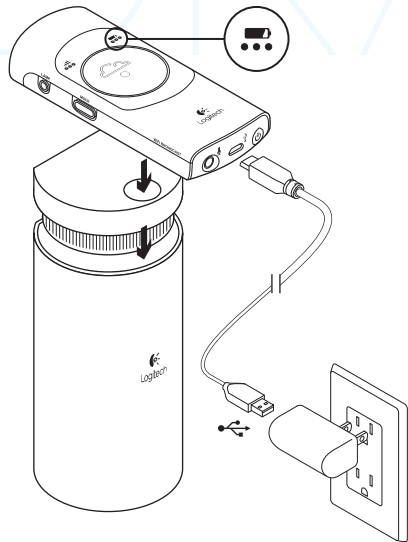
|   |    |                     |    |
|---|----|---------------------|----|
| English . . . . .   | 4  | Español . . . . .   | 24 |
| Français . . . . .  | 14 | Português . . . . . | 34 |
| <b>www.logitech.com/support</b>  . . . . . |    |                     | 47 |



## Know your product

- |   |  |
|---|--|
| <ol style="list-style-type: none"> <li>1. Wi-Fi® signal strength</li> <li>2. Capture button</li> <li>3. Battery level</li> <li>4. USB cable</li> <li>5. AC power adapter</li> <li>6. Stand/case with lid</li> <li>7. Microphone</li> <li>8. HD 720p lens</li> </ol> | <ol style="list-style-type: none"> <li>9. Lamp</li> <li>10. Microphone jack</li> <li>11. USB port1</li> <li>12. Power button</li> <li>13. Lamp button</li> <li>14. Mode button</li> <li>15. Support ball</li> <li>16. Documentation</li> </ol> |
|---|--|

## Charge the battery



1. Place the camera on the stand.
2. Connect the camera to AC power, as shown.

**Note:** When the camera battery is fully charged and powered on, the battery level indicator shows three green lights.

## Set up your product

If you will use multiple Apple devices with the camera, set up the camera for each device using the following instructions:

### On Mac OS X®

1. Go to [www.logitech.com/support/broadcaster](http://www.logitech.com/support/broadcaster)
2. Download and install the free Logitech Broadcaster software for Mac.
3. Launch the software. Follow the on-screen instructions.
4. Watch the tutorials after setup to learn how to use Logitech Broadcaster.

### On iPhone® and iPad®

1. Open the Apple® app store and browse for the free Logitech Broadcaster app.
2. Download and install the app.
3. Open the app and follow the on-screen instructions.
4. Watch the tutorials after setup to learn how to use Logitech Broadcaster.

## Visit Product Central

There's more information and support online for your product. Take a moment to visit Product Central to learn more about your new Logitech Broadcaster.

Browse online articles for setup help, usage tips, or information about additional features.

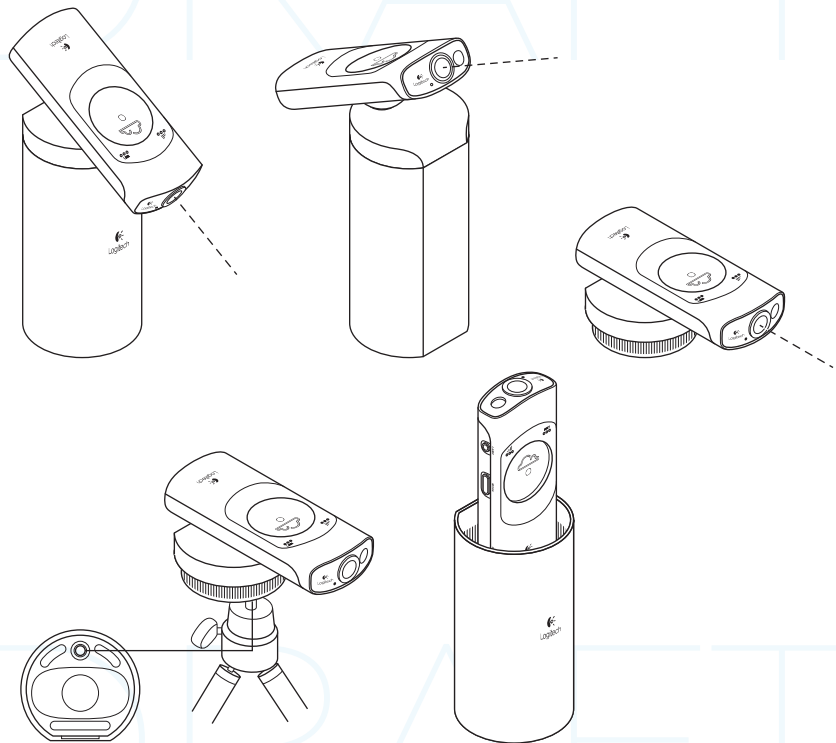
Connect with other users in our Community Forums to get advice, ask questions, and share solutions.

At Product Central, you'll find a wide selection of content:

- Tutorials
- Troubleshooting
- Support community
- Software downloads
- Online documentation
- Warranty information
- Spare parts (when available)

Go to [www.logitech.com/support/broadcaster](http://www.logitech.com/support/broadcaster)

## Use your product

**Place the camera**

Mount the camera on its stand or use an optional tripod (not included). When not in use, store the camera in its case.

**Turn on the camera**

Each time you turn on the camera, it goes through a start-up sequence:

1. The battery level lights blink green for 30 seconds before the indicator turns solid green.
2. The camera connects to your Wi-Fi network:
  - a. The Wi-Fi signal strength lights blink green sequentially.
  - b. The Wi-Fi signal strength lights turn solid green after the Wi-Fi connection is made.

**Broadcast to USTREAM® or record to device**

1. Open the Broadcaster app on your iPhone/iPad. Or open the Broadcaster software on your Mac.
2. Use the Broadcaster app/software to choose either Broadcast to USTREAM or Record to Device<sup>1</sup>.
3. Use the Broadcaster app/software to begin broadcasting or recording. Or press the capture button on the camera.
4. Control your streaming video using the Broadcaster app/software.
5. To stop broadcasting/recording, use the Broadcaster app/software. Or press the capture button on the camera.

**Note:** USTREAM is a live broadcasting Internet site. For more information, go to [www.ustream.tv](http://www.ustream.tv)

<sup>1</sup> On a Mac only, use Record to Device with webcam and video calling applications, like Skype®.



Broadcast to USTREAM



Record to device

**Usage notes:**

- You can use the camera's Mode button to broadcast to USTREAM without using your Apple device.
- If you have set up the camera on multiple Apple devices, you can only use one device at a time to control the camera.
- To switch between devices, close the Broadcaster app/software on your current device before opening the app/software on another device.
- On a Mac, the camera functions like a webcam and works with most Mac applications designed for webcams. So you can record in QuickTime® and make video calls with FaceTime®, iChat®, or Skype.
- On an iPad or iPhone, the camera works only with the Logitech Broadcaster app for Apple iOS, which allows you to record video or broadcast to USTREAM.

**Troubleshooting****The camera doesn't connect to my Wi-Fi network (the Wi-Fi signal strength lights blink sequentially and don't turn solid green)**

- The camera and your Apple device must be within 50 feet (22 meters) of your Wi-Fi network.
- For some Wi-Fi networks, the camera may take one to two minutes to connect.
- Try rebooting the camera: press and hold the power button for 5 seconds.

**The camera's Wi-Fi strength lights show a network connection, but the camera is not detected by the Broadcaster app/software**

- The camera and your Apple device must be on the same Wi-Fi network.
- Your Wi-Fi router may be blocking Apple's Bonjour® network service discovery. For troubleshooting help, go to [www.logitech.com/support/broadcaster](http://www.logitech.com/support/broadcaster).

**Video capture is not smooth, is of poor quality, or freezes on USTREAM**

- Verify that your camera's Wi-Fi signal strength indicator shows three green lights.
- There may be too many high-bandwidth devices using your Wi-Fi network at the same time. Or other devices (routers, microwave ovens, etc.) may be causing interference.
- To stream 720p video from the camera to USTREAM, your Internet connection must have a minimum upload speed of 2 Mbps.
- Your Wi-Fi router or modem must be 802.11 g/n compatible.
- For more networking help, go to [www.logitech.com/support/broadcaster](http://www.logitech.com/support/broadcaster).

**The sound level is too low or there is distorted sound**

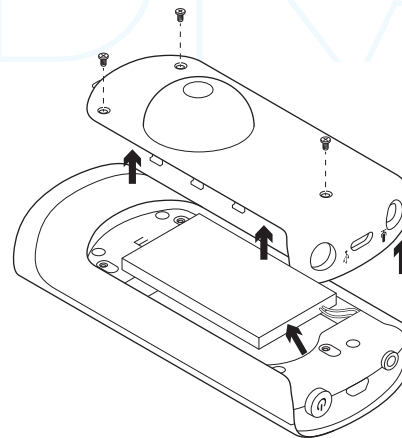
- For low sound, increase the recording level using the “Inspector” feature in the Broadcaster app/software. Try moving closer to the camera.
- For distorted sound, the camera may be recording audio from your Apple device or another sound source. Reduce volume on all sound sources.

**What do you think?**

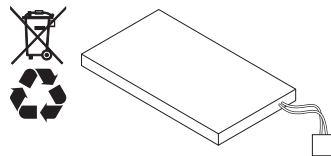
Please take a minute to tell us.  
Thank you for purchasing our product.

[www.logitech.com/ithink](http://www.logitech.com/ithink)

**Battery disposal at product end of life**



1. Remove the 3 screws on the battery door.
2. Remove the battery door.
3. Remove the battery.
4. Dispose of your product and its battery according to local laws.



[www.logitech.com/support/broadcaster](http://www.logitech.com/support/broadcaster)



|           |                 |               |                 |
|-----------|-----------------|---------------|-----------------|
| Argentina | +00800-555-3284 | Colombia      | 01-800-913-6668 |
| Brasil    | +0 800-891-4173 | Latin America | +1 800-578-9619 |
| Canada    | +1 866-934-5644 | Mexico        | 01.800.800.4500 |
| Chile     | 1230 020 5484   | United States | +1 646-454-3200 |



[www.logitech.com](http://www.logitech.com)

© 2012 Logitech. All rights reserved. Logitech, the Logitech logo, and other Logitech marks are owned by Logitech and may be registered. Apple, the Apple logo, Bonjour, FaceTime, iChat, iPad, iPhone, Mac, Mac OS X, and QuickTime are trademarks of Apple Inc., registered in the U.S. and other countries. Apple and Apple Store are service marks of Apple Inc., registered in the U.S. and other countries. The app Store is a service mark of Apple Inc. Skype is a trademark of Skype or other related companies. Skype is registered in the United States Patent and Trademark Office, and with the Trademark Offices of the countries of Australia, Finland, Benelux, Hong Kong, Israel, Japan, Liechtenstein, New Zealand, South Korea, Switzerland, and Taiwan. Wi-Fi is a registered trademark of the Wi-Fi Alliance. All other trademarks are the property of their respective owners. Logitech assumes no responsibility for any errors that may appear in this manual. Information contained herein is subject to change without notice.

© 2012 Logitech. All rights reserved. Logitech, the Logitech logo, and other Logitech marks are owned by Logitech and may be registered. Apple, the Apple logo, Bonjour, FaceTime, iChat, iPad, iPhone, Mac, Mac OS X, and QuickTime are trademarks of Apple Inc., registered in the U.S. and other countries. Apple and Apple Store are service marks of Apple Inc., registered in the U.S. and other countries. The app Store is a service mark of Apple Inc. Skype is a trademark of Skype or other related companies. Skype is registered in the United States Patent and Trademark Office, and with the Trademark Offices of the countries of Australia, Finland, Benelux, Hong Kong, Israel, Japan, Liechtenstein, New Zealand, South Korea, Switzerland, and Taiwan. Wi-Fi is a registered trademark of the Wi-Fi Alliance. All other trademarks are the property of their respective owners. Logitech assumes no responsibility for any errors that may appear in this manual. Information contained herein is subject to change without notice.

620-003955.002



**FCC Statement:**

## Federal Communication Commission Interference Statement

This equipment has been tested and found to comply with the limits for a Class B digital device, pursuant to Part 15 of the FCC Rules. These limits are designed to provide reasonable protection against harmful interference in a residential installation. This equipment generates, uses and can radiate radio frequency energy and, if not installed and used in accordance with the instructions, may cause harmful interference to radio communications. However, there is no guarantee that interference will not occur in a particular installation. If this equipment does cause harmful interference to radio or television reception, which can be determined by turning the equipment off and on, the user is encouraged to try to correct the interference by one of the following measures:

- Reorient or relocate the receiving antenna.
- Increase the separation between the equipment and receiver.
- Connect the equipment into an outlet on a circuit different from that to which the receiver is connected.
- Consult the dealer or an experienced radio/TV technician for help.

FCC Caution: Any changes or modifications not expressly approved by the party responsible for compliance could void the user's authority to operate this equipment.

This device complies with Part 15 of the FCC Rules. Operation is subject to the following two conditions: (1) This device may not cause harmful interference, and (2) this device must accept any interference received, including interference that may cause undesired operation.

For product available in the USA/Canada market, only channel 1~11 can be operated. Selection of other channels is not possible.

This device and its antenna(s) must not be co-located or operation in conjunction with any other antenna or transmitter.

This device is going to be operated in 5.15~5.25GHz frequency range, it is restricted in indoor environment only.

## IMPORTANT NOTE:

### FCC Radiation Exposure Statement:

This equipment complies with FCC radiation exposure limits set forth for an uncontrolled environment. This equipment should be installed and operated with minimum distance 20cm between the radiator & your body.

### IC Statement:

This Class B digital apparatus complies with Canadian ICES-003.

Cet appareil numérique de la classe B conforme à la norme NMB-003 du Canada.

This device complies with Industry Canada license-exempt RSS standard(s). Operation is subject to the following two conditions: (1) this device may not cause interference, and (2) this device must accept any interference, including interference that may cause undesired operation of the device.

Le présent appareil est conforme aux CNR d'Industrie Canada applicables aux appareils radio exempts de licence. L'exploitation est autorisée aux deux conditions suivantes : (1) l'appareil ne doit pas produire de brouillage, et (2) l'utilisateur de l'appareil doit accepter tout brouillage radioélectrique subi, même si le brouillage est susceptible d'en compromettre le fonctionnement.

For product available in the USA/Canada market, only channel 1~11 can be operated. Selection of other channels is not possible.

Pour les produits disponibles aux États-Unis / Canada du marché, seul le canal 1 à 11 peuvent être exploités. Sélection d'autres canaux n'est pas possible.

This device and its antenna(s) must not be co-located or operation in conjunction with any other antenna or transmitter.

Cet appareil et son antenne (s) ne doit pas être co-localisés ou fonctionnement en association avec une autre antenne ou transmetteur.

The device could automatically discontinue transmission in case of absence of information to transmit, or operational failure. Note that this is not intended to prohibit transmission of control or signaling information or the use of repetitive codes where required by the technology.

Le dispositif pourrait automatiquement cesser d'émettre en cas d'absence d'informations à transmettre, ou une défaillance opérationnelle. Notez que ce n'est pas l'intention d'interdire la transmission des informations de contrôle ou de signalisation ou l'utilisation de codes répétitifs lorsque requis par la technologie.

The device for the band 5150-5250 MHz is only for indoor usage to reduce potential for harmful interference to co-channel mobile satellite systems.  
les dispositifs fonctionnant dans la bande 5150-5250 MHz sont réservés uniquement pour une utilisation à l'intérieur afin de réduire les risques de brouillage préjudiciable aux systèmes de satellites mobiles utilisant les mêmes canaux;

The maximum antenna gain permitted for devices in the band 5725-5825 MHz shall comply with the e.i.r.p. limits specified for point-to-point and non point-to-point operation as appropriate.

le gain maximal d'antenne permis (pour les dispositifs utilisant la bande 5725-5825 MHz)  
doit se conformer à la limite de p.i.r.e. spécifiée pour l'exploitation point à point et non point à point, selon le cas.

**IMPORTANT NOTE:**

**IC Radiation Exposure Statement:**

This equipment complies with IC RSS-102 radiation exposure limits set forth for an uncontrolled environment. This equipment should be installed and operated with minimum distance 20cm between the radiator & your body.