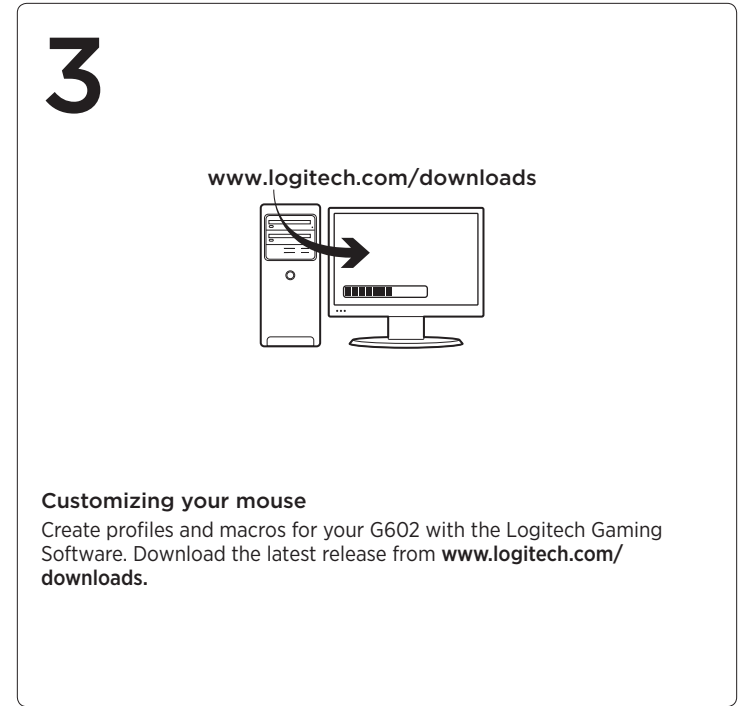
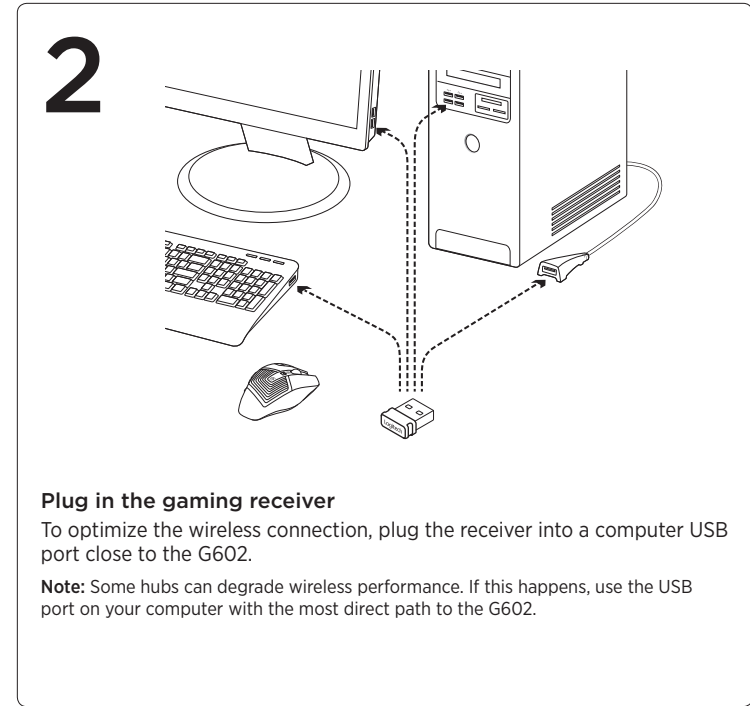
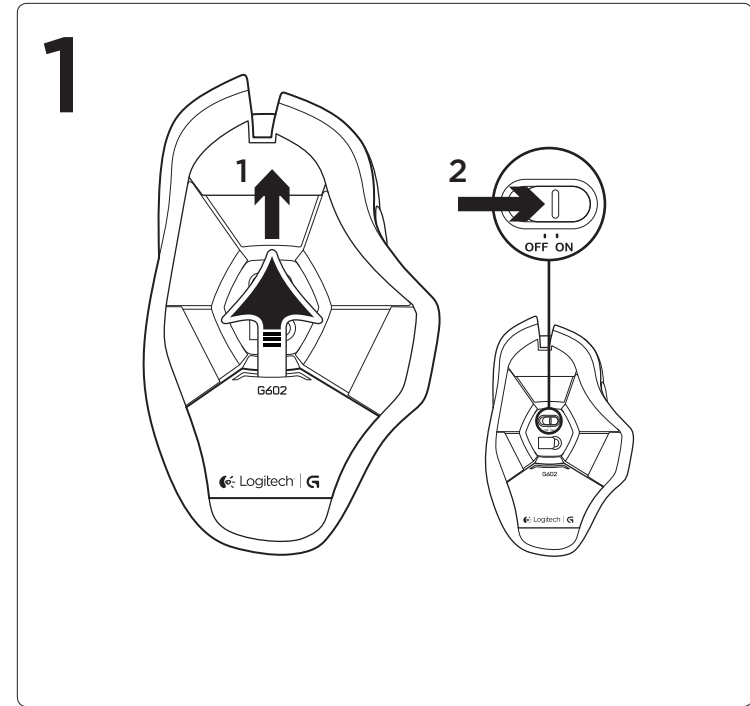
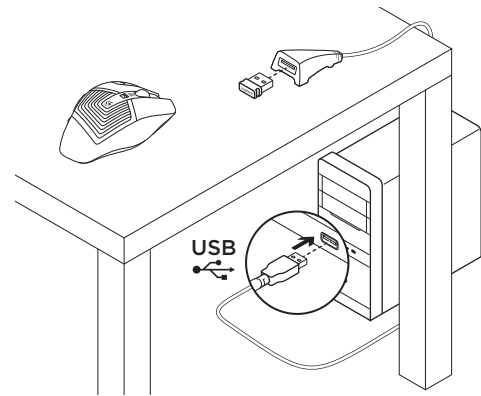




Logitech® G602 Wireless Gaming Mouse Setup Guide



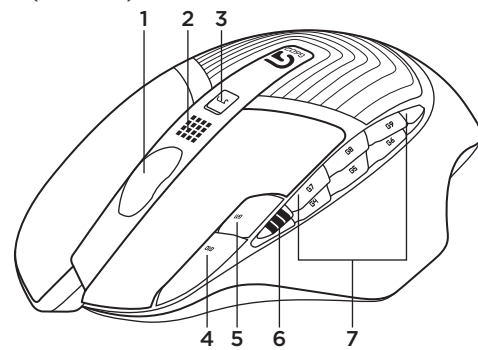
4



Using the extension cable

You can also plug the receiver extension cable into your computer in order to place the receiver close to your G602.

Features (default)



- | | |
|--|---|
| 1. Wheel | 6. DPI display |
| 2. Battery indicator | 7. Programmable keys (in default) |
| 3. Performance/Endurance mode switch:
Blue light for performance mode
Green light for endurance mode | G4 = Forward
G5 = Backward
G6 = Battery level check
G7 = 1
G8 = 2
G9 = 3 |
| 4. G10 = DPI+ | |
| 5. G11 = DPI- | |

Troubleshooting

No pointer movement?

- Make sure the power switch is on the ON position.
- Verify that the batteries still have available power and that they are inserted in the proper direction.
- Restart your computer.
- Should you need to pair your G602 to the gaming receiver, download the Logitech Connect Utility from www.logitech.com/downloads.

Erratic pointer movement or missed button clicks?

- Remove metallic objects between the G602 and the gaming receiver.
- If the receiver is plugged into a USB hub, try plugging it directly into the computer instead.
- Move the receiver closer to the G602 by using the included receiver extension cable.
- Try tracking on a different surface. Highly-reflective or transparent surfaces, like glass, do not deliver good tracking results.

www.logitech.com/support/g602



United States +1 646-454-3200

What do you think?

Please take a minute to tell us.
Thank you for purchasing our product.

www.logitech.com/ithink