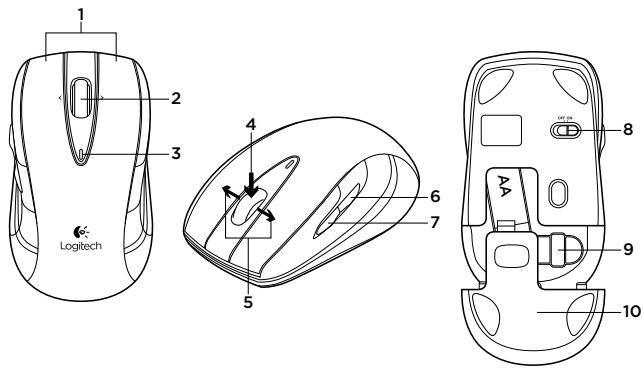


3

**English**  
**Advanced features:**  
Software is optional for this mouse!  
Download the free mouse software at [www.logitech.com/support/m545](http://www.logitech.com/support/m545) to customize button functions, adjust speed of tracking and scrolling.  
**Note:** If other USB 3.0 devices are in use, please try to plug Pico receiver into other USB port at a distance.

**简体中文**  
**高级功能:**  
可选择为此鼠标安装软件!  
可在 [www.logitech.com/support/m545](http://www.logitech.com/support/m545) 下载免费鼠标软件, 以自定义按键功能并调整跟踪和滚动速度。  
**注意:** 如果正在使用其他 USB 3.0 设备, 请尝试将微型接收器插入一定距离以外的其他 USB 端口。



## English

### Features

- 1. Left and right mouse buttons**
- 2. Scroll wheel**
- 3. Battery LED**—Flashes green when mouse is powered on, and it flashes red when the battery power is low
- 4. Middle button**—The function of this button depends on your operating system and the application being used. For example, if you are browsing the Internet in Windows and click on a link using the Middle button, typically the link opens in a new tab.
- 5. Tilt button**
  - Windows 7 and Windows 8 without software: Tilt left/right for backward/forward.
  - Windows 8 with software installed: Tilt left to show the Application Switcher; Tilt right to show the Charm Bar.
- 6. Side button**
  - Windows 7: Press to toggle between minimizing all applications (Show Desktop) and restoring all applications.
  - Windows 8: Press to switch to Desktop mode in Start Screen or applications.
- 7. Side button**
  - Windows 8: Press to switch between the Start Screen and the last open application.
  - Windows 7: Press to open the Start Menu.
- 8. On/Off slider switch**
- 9. Pico receiver storage**—When the mouse is not in use, you can store the Pico receiver inside the mouse.
- 10. Battery door**

## 简体中文

### 功能

- 1. 左/右鼠标按键**
- 2. 滚轮**
- 3. 电池 LED 指示灯** — 鼠标电源处于开启状态时闪烁绿灯，电池电量低时闪烁红灯
- 4. 中键** — 此键的功能取决于您的操作系统和所使用的应用程序。例如，如果您在 Windows 系统中浏览网页并使用“中键”点击链接，则链接通常会新的标签中打开。
- 5. 倾斜键**
  - 未安装软件的 Windows 7 和 Windows 8: 向左/右倾斜即可后退/前进。
  - 安装有软件的 Windows 8: 向左倾斜即可显示“应用程序切换程序”; 向右倾斜则可显示“Charm 工具栏”。
- 6. 侧面按键**
  - Windows 7: 按下按键即可在最小化所有应用程序(“显示桌面”)和还原所有应用程序之间切换自如。
  - Windows 8: 在“开始”屏幕或应用程序中，按下按键即可切换至桌面模式。
- 7. 侧面按键**
  - Windows 8: 按下按键即可在“开始”屏幕和最后一个打开的应用程序之间切换。
  - Windows 7: 按下按键即可打开“开始”菜单。
- 8. 开启/关闭滑动开关**
- 9. 微型接收器的收存** — 鼠标处于停用状态时，可将微型接收器收存到鼠标内。
- 10. 电池盖**

## English

The Logitech®  
Unifying receiver

### Plug it. Forget it. Add to it.

Your new Logitech product ships with a Logitech® Unifying receiver. Did you know you can add a compatible Logitech wireless device that uses the same receiver as your current Logitech Unifying product?

### Are you Unifying-ready?

If you have a Logitech wireless device that's Unifying-ready, you can pair it with additional Unifying devices. Just look for the orange Unifying logo on the new device or its packaging. Build your ideal combo. Add something. Replace something. It's easy, and you'll use only one USB port for up to six devices.

### Getting started is easy

If you're ready to pair your device(s) via Unifying, here's what you need to do:

1. Make sure your Unifying receiver is plugged in.
2. If you haven't already, download the Logitech® Unifying software from [www.logitech.com/unifying](http://www.logitech.com/unifying).
3. Start the Unifying software\* and follow the onscreen instructions to pair the new wireless device with your existing Unifying receiver.

\*Go to Start / All Programs / Logitech / Unifying / Logitech Unifying Software

## 简体中文

罗技 Unifying 接收器  
随插即忘、一联百通。

全新的罗技产品将随附 Unifying 接收器。您知道吗，您可以将兼容的罗技无线设备添加到现有罗技 Unifying 产品正在使用的接收器上。

### 您已准备好开始使用 Unifying 了吗？

如果您有可以使用 Unifying 的罗技无线设备，您可以将该设备与其他 Unifying 设备配对使用。只需确认新设备或其包装上有橙色的 Unifying 徽标。打造您的理想组合。添加设备。替换设备。这很简单，而且您只需一个 USB 端口就可连接多达六个设备。

### 简单入门

如果您已准备好通过 Unifying 配对使用您的设备，您需要：

1. 确认已插入 Unifying 接收器。
2. 如果您还没有下载 Logitech® Unifying 软件，请访问 [www.logitech.com/unifying](http://www.logitech.com/unifying) 下载该软件。
3. 启动 Logitech Unifying 软件\*并按照屏幕上的说明进行操作，将新的设备与现有的 Unifying 接收器配对。

\*依次单击“开始”/“所有程序”/“罗技”/“Unifying”/“罗技 Unifying 软件”

Table of Toxic and Hazardous Substances/Elements and their Content

产品中有毒有害物质或元素的名称及含量  
根据中国《电子信息产品污染控制管理办法》

Control Device 鼠标						
有毒有害物质或元素						
部件名称	铅 (Pb)	汞 (Hg)	镉 (Cd)	六价铬 (Cr(VI))	多溴联苯 (PBB)	多溴二苯醚 (PBDE)
电缆 Cable	X	○	○	○	○	○
电路板组件 PWAs	X	○	○	○	○	○
塑料外壳 Plastic enclosure	○	○	○	○	○	○
塑料部件 Plastic parts	○	○	○	○	○	○
金属部件 Metal parts	X	○	○	○	○	○

○ = 表示该有毒有害物质在该部件所有均质材料中的含量均在 SJ/T11363-2006 标准规定的限量要求以下。  
X = 表示该有毒有害物质至少在该部件的某一均质的含量超出 SJ/T11363-2006 标准规定的限量要求。

表中标有“X”的所有部件都符合欧盟 RoHS 法规  
\*欧洲议会和欧盟理事会 2003 年 1 月 27 日关于电子电器设备中限制使用某些有害物质的 2002/95/EC 号指令  
注：环保使用期限的参考标取决于产品正常工作的温度和湿度等条件



## English

Help with setup:

### Mouse not working

- Is the mouse powered on?
- Is the Pico receiver securely plugged into a computer USB port? Try changing USB ports.
- If the Pico receiver is plugged into a USB hub, try plugging it directly into a USB port on your computer.
- Try moving the Pico receiver to a USB port closer to the mouse.
- Remove metallic objects between the mouse and the Pico receiver.
- Check the orientation of the battery inside the mouse. Replace the battery if necessary. The mouse uses one AA alkaline battery.
- Try reconnecting the mouse and Pico receiver using the Logitech Unifying software. (Refer to the Unifying section in this guide.)
- If other USB 3.0 devices are in use, try plugging Pico receiver into other USB port at a distance.

## 简体中文

设置帮助:

### 鼠标不工作

- 鼠标是否已接通电源？
- 微型接收器是否已牢固插入电脑的 USB 端口？尝试更换 USB 端口。
- 如果微型接收器已插入 USB 集线器，则尝试将其直接插入电脑的 USB 端口。
- 尝试将微型接收器移至离鼠标较近的 USB 端口。
- 移除鼠标和微型接收器之间的金属物体。
- 检查鼠标内的电池方向。如有必要，请更换电池。本鼠标使用一节 AA 碱性电池。
- 尝试使用罗技 Unifying 软件重新连接鼠标和微型接收器。(请参考此指南的 Unifying 部分。)
- 如果正在使用其他 USB 3.0 设备，则尝试将微型接收器插入一定距离以外的其他 USB 端口。

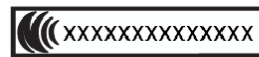
[www.logitech.com/support/m545](http://www.logitech.com/support/m545)

M/N:C-U0013

Rating: 5V  $\equiv$  100mA

Approval No.: ETA-418/2010/WRLO

CMIIT ID: 2010DJ0355



Complies with  
IDA Standards  
DB101104

Z855  
N231

MADE IN CHINA