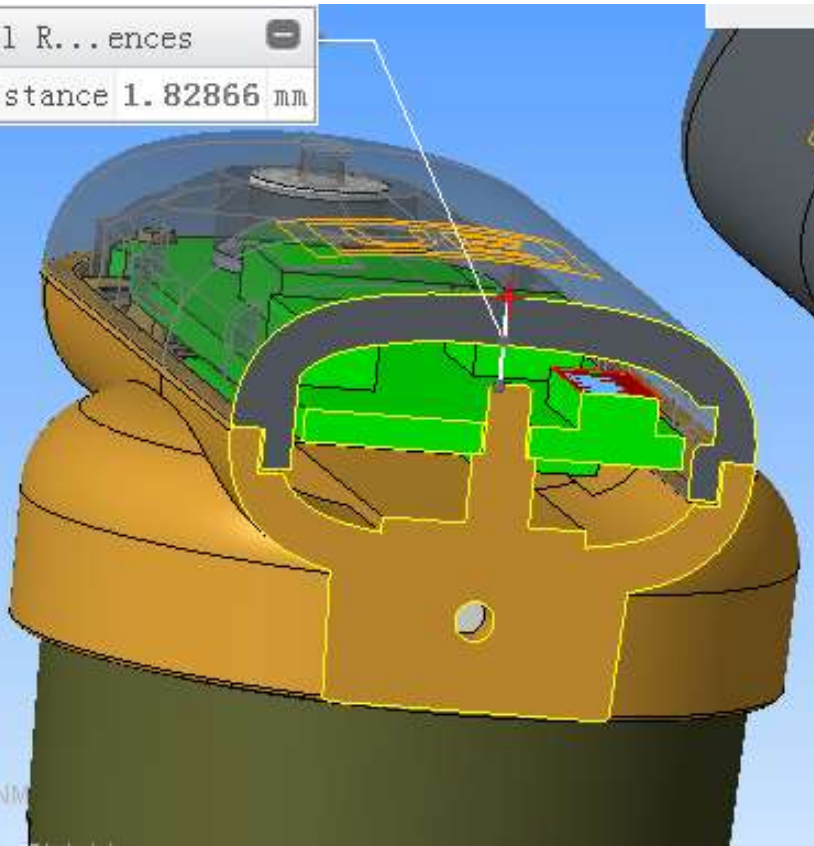


Photographs of EUT Setup and Antenna Location

The photographs of EUT and setup for SAR testing are shown as follows.

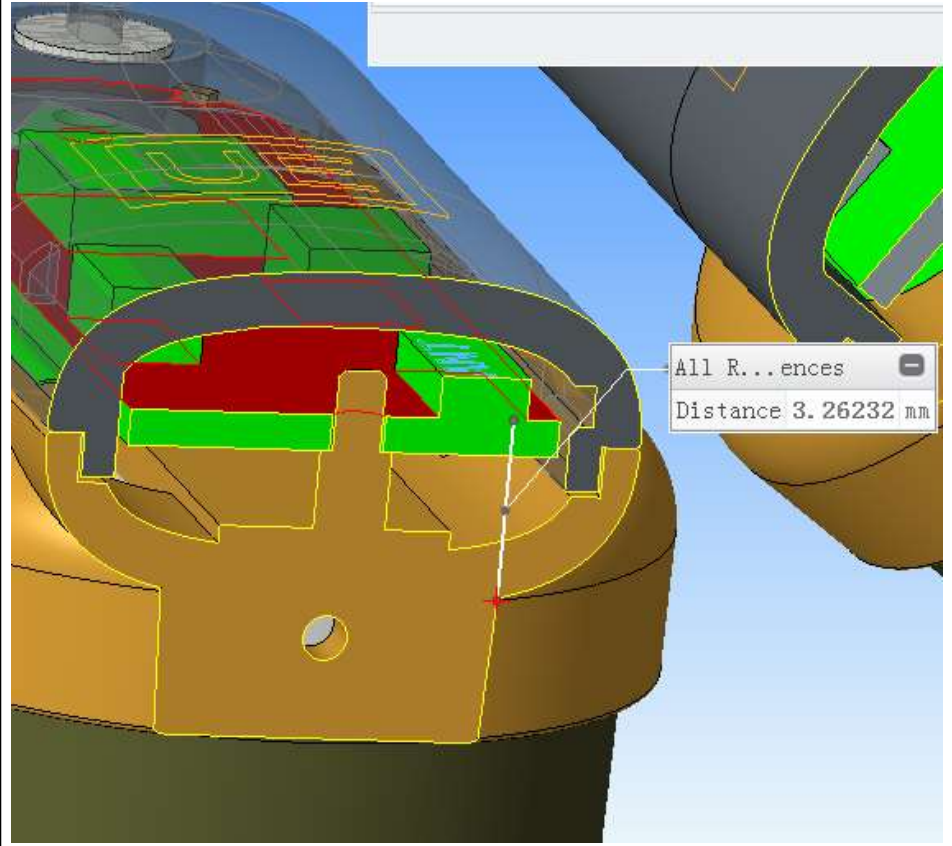
To Front Face

All R...ences
Distance 1.82866 mm

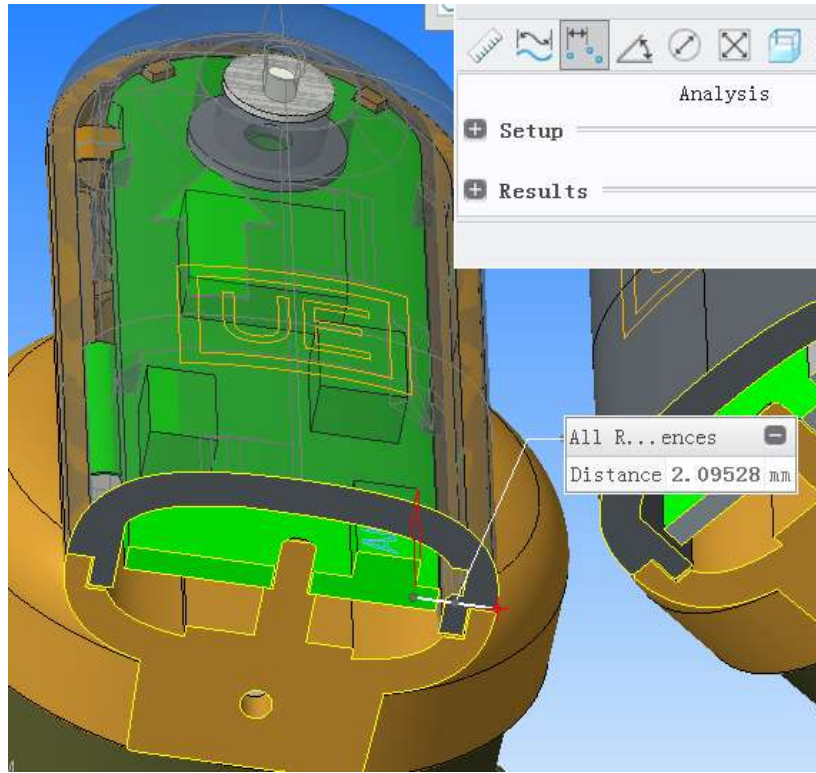


To Rear Face

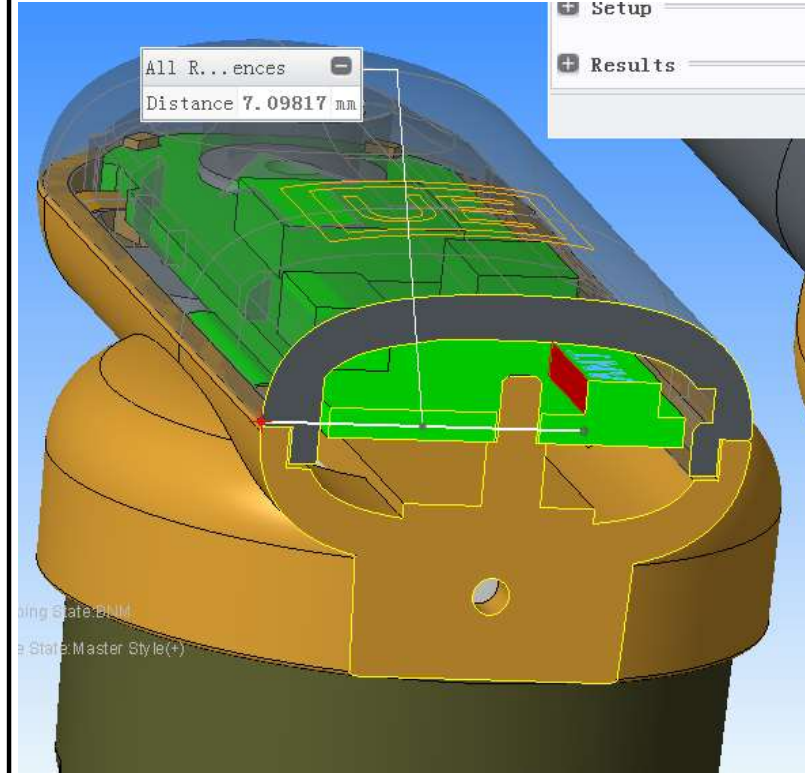
All R...ences
Distance 3.26232 mm

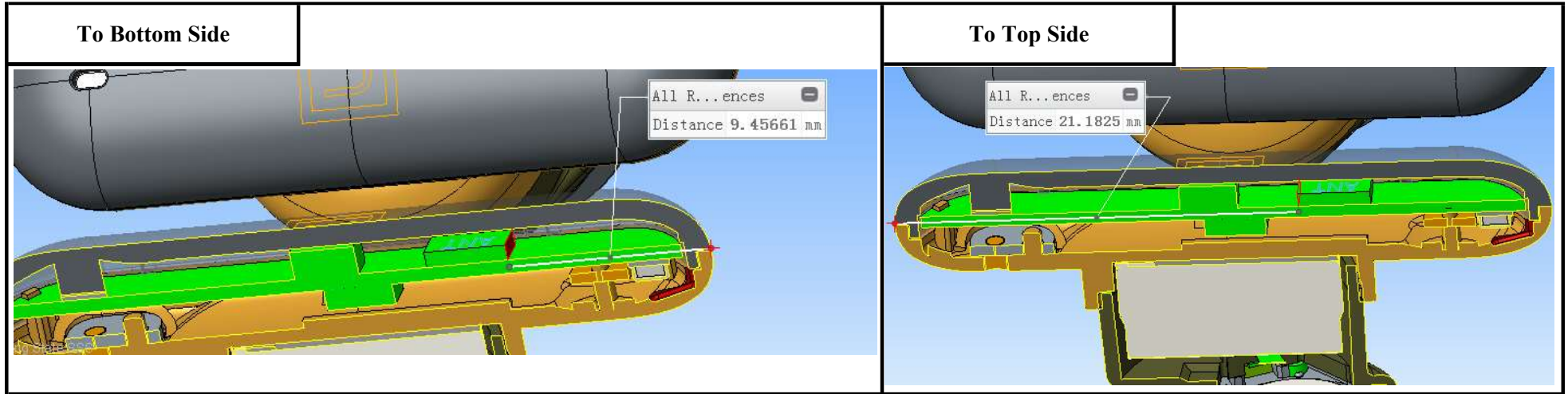


To Right Side



To Left Side





Left Earbud

左耳机天线到人耳之间的距离



X	Y	Z	U	V
23.2mm	19.3mm	16.6mm	21.1mm	14.9mm

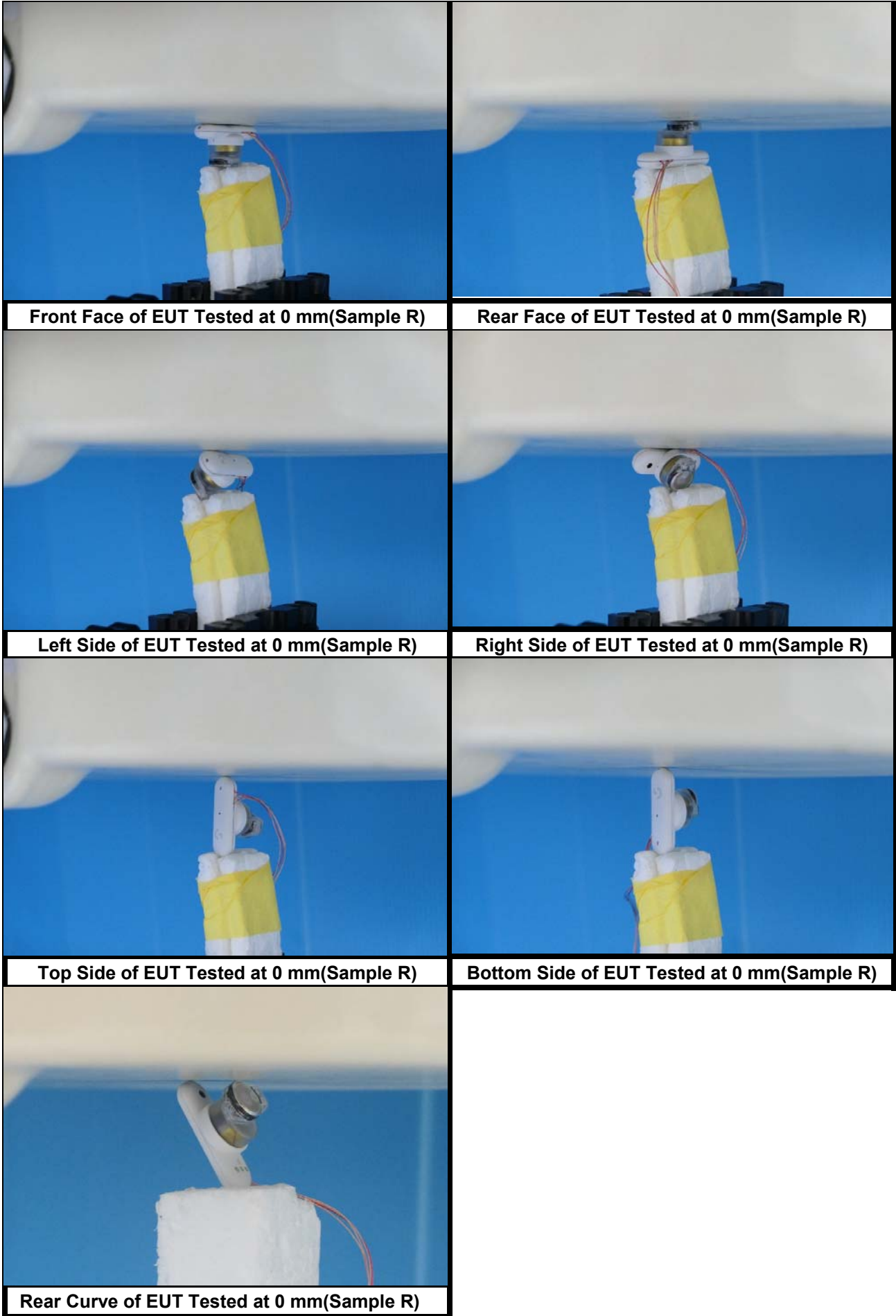
Right Earbud

右耳机天线到人耳之间的距离



A	B	C	D	E
21.6mm	12.8mm	11.5mm	22.1mm	8.8mm

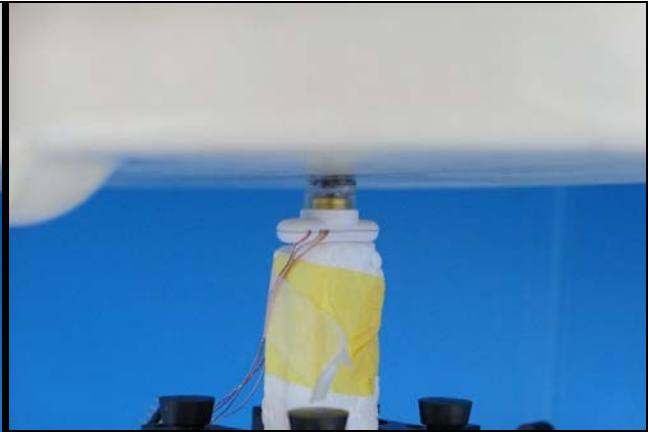
<Photographs of Head SAR Test Setup>



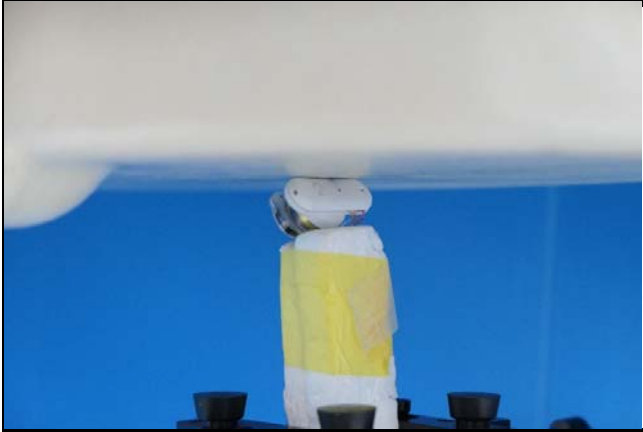
<Photographs of Head SAR Test Setup>



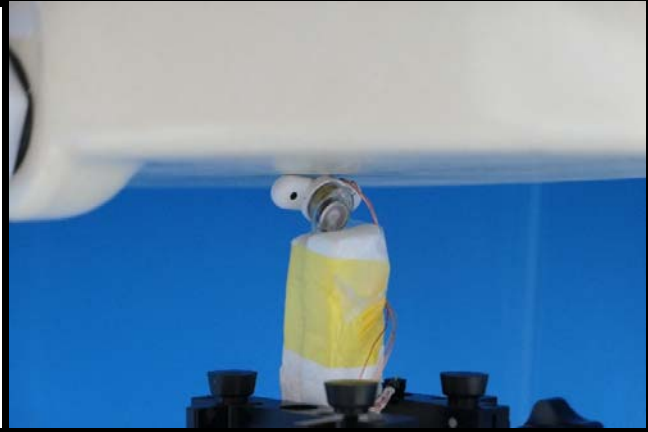
Front Face of EUT Tested at 0 mm(Sample L)



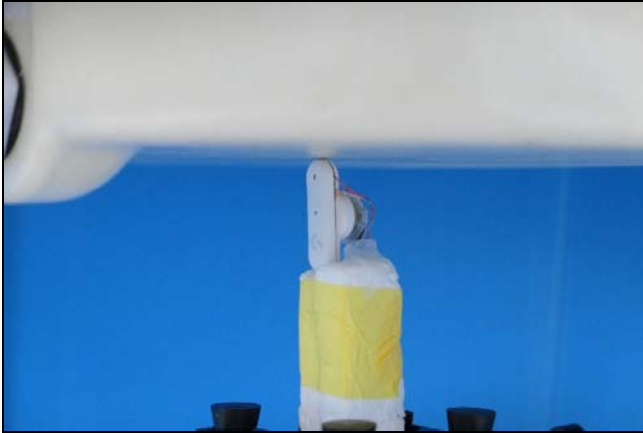
Rear Face of EUT Tested at 0 mm(Sample L)



Left Side of EUT Tested at 0 mm(Sample L)



Right Side of EUT Tested at 0 mm(Sample L)



Top Side of EUT Tested at 0 mm(Sample L)



Bottom Side of EUT Tested at 0 mm(Sample L)



Rear Curve of EUT Tested at 0 mm(Sample L)