



Logitech® G933
Artemis Spectrum
Wireless 7.1 Surround
Gaming Headset

User Manual

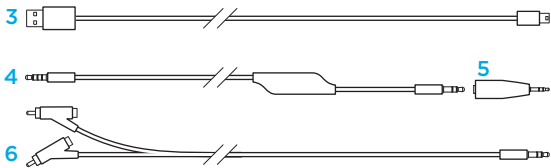


Contents

English	3	Français	31
Español	17		

www.logitech.com/support/g933

What's in the box

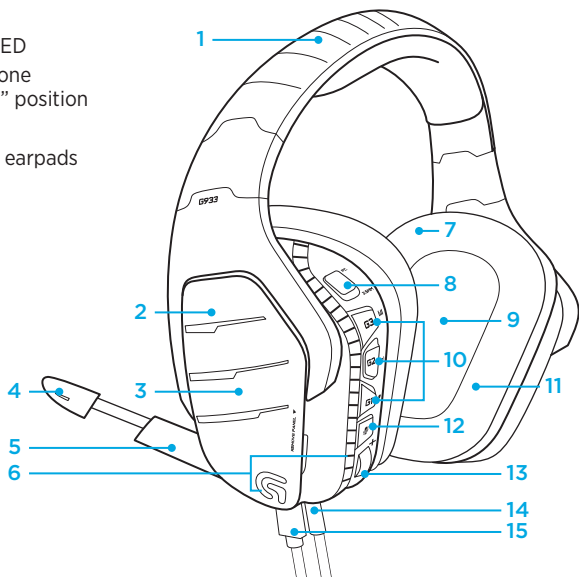


1. G933 Headset
2. Custom tags (L/R)
3. PC cable (USB to Micro-USB, 3m)

4. 3.5mm cable (2m)
5. 3.5mm to 2.5mm adapter
6. RCA to 3.5mm cable

Features

1. Adjustable padded sports mesh headband
2. Removable backlit custom tags
3. USB Wireless Mix Adapter housed in earcup
3.5mm (stereo input only)
4. Boom mic mute indicator LED
5. Retractable boom microphone
Automatically mutes in "up" position
6. Lighting zones (2)
7. Washable soft sports mesh earpads
8. PC/3.5mm mode switch
9. Pro-G Audio Drivers
10. Programmable buttons (3)
11. Battery
12. Microphone Mute
13. Volume Wheel
14. 3.5mm (mobile) connection
15. USB connection



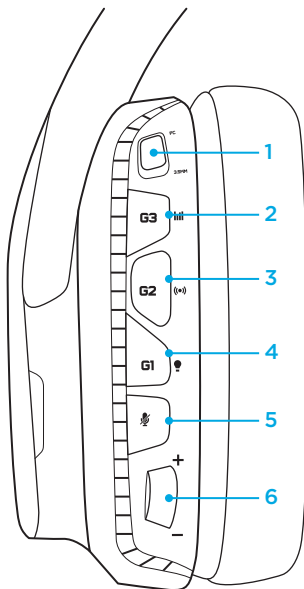
Headset button layout

1. Wireless On/Off switch
2. G3 (programmable):
Default equalizer (EQ) cycle
 - Will cycle through EQ settings in Logitech Gaming software, including: Flat, MOBA, and FPS presets
3. G2 (programmable): Default Dolby surround sound on/off
4. G1 (programmable): Lighting cycle
 - Will cycle through lighting settings in Logitech Gaming Software, including: breathing, solid cyan, custom, and off
5. Microphone mute
6. Volume wheel

G1, G2, and G3 are programmable using the Logitech Gaming Software (in PC mode only):

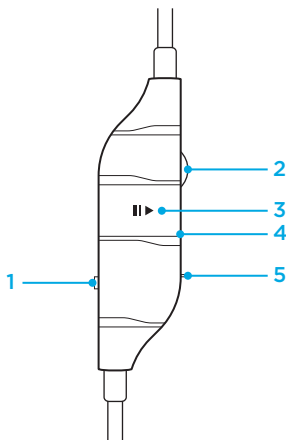
www.logitech.support.com/g933

Note: Buttons and volume wheel only operate in Wireless On mode. Some buttons and features may require PC connection and Logitech Gaming Software.



Inline 3.5mm audio controls

1. Mic select switch (headset boom/inline, mobile mode only)
 - Headset boom unavailable for mobile device while in PC mode
2. Volume wheel
3. Mobile device play/pause/answer call
4. Inline microphone
5. Mobile mic mute switch



Wireless On/Off

G933 has two operation modes, Wireless On, and Wireless Off.

Wireless On

In Wireless On mode, all headset features are available, including custom sound profiles, RGB lighting, wireless, and audio mixing. Your headset will operate in active powered mode and requires battery charge.

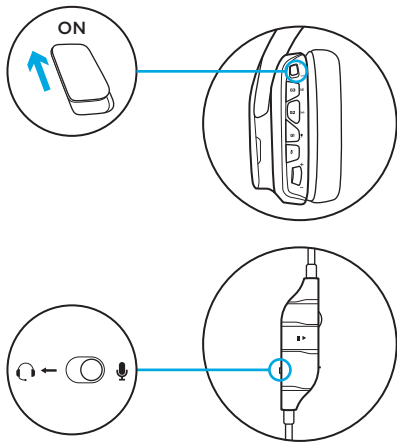
Boom mic is unavailable for devices connected through the onheadset 3.5mm audio port in this mode, but in-line mic on audio cable can still be used. Set mic select to in-line mic.

Wireless range¹

Indoor: 15 meters
Outdoor: 20 meters

Battery life²

No lighting: 12 hours
Default lighting: 8 hours



¹ Range may vary with environmental conditions.

² Rechargeable batteries have a limited number of charge cycles. Battery life measured at 50% volume.

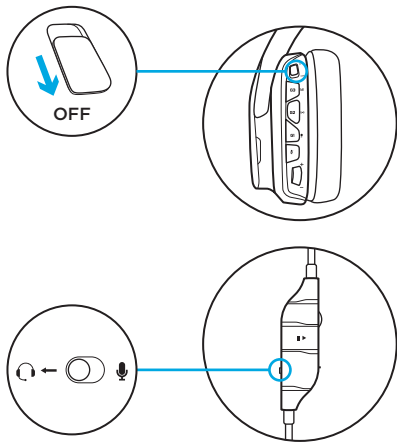
Wireless Off (passive mode)

In Wireless Off (passive mode), your headset will operate in passive unpowered mode. Your headset will play passive audio of any device connected through the 3.5mm input on the headset.

Features that require power, including 7.1 surround sound, custom sound profiles, on-headset buttons, volume wheel operation, and button/lighting customization functions are not available in this mode.

Boom mic is available for devices connected through the on-headset 3.5mm audio port in this mode. Select between boom mic and in-line mic using switch on included mobile cable.

This mode can be activated to preserve battery life when only one 3.5mm device is in use.

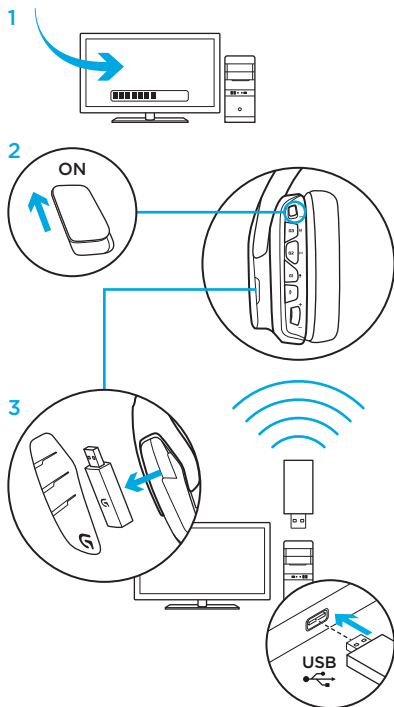


Setup for PC (PC mode)

1. Download and install Logitech Gaming Software:
www.logitech.com/support/g933
2. Set switch to Wireless On position.
3. Connect USB Wireless Mix Adapter to PC. Headset will automatically connect.

Mixing audio sources

While connected via USB Wireless Mix Adapter, the G933 can also use the 3.5mm cable to connect to another audio source (ex. smartphone). Both audio sources can be played simultaneously. Inline controls and inline microphone can be used to answer calls, adjust volume, etc independently for the mobile device.



Setup for PC (3.5mm connection)

The G933 can also connect to audio devices solely via 3.5mm cable.

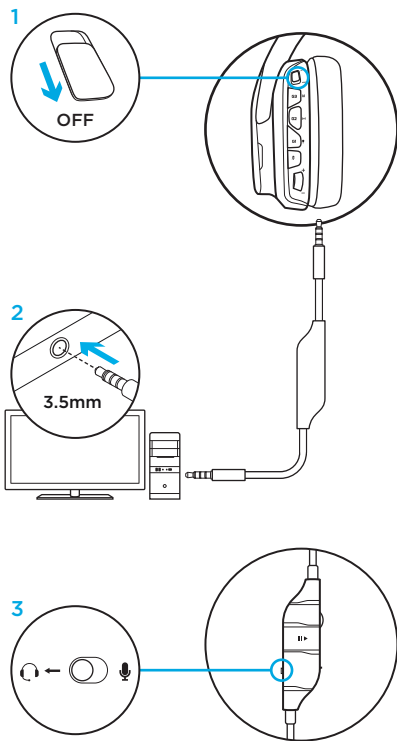
1. Set switch to Wireless Off mode for passive audio mode, or set to Wireless On mode for active audio mode with additional features (see “Wireless On/ Off” section).
2. Connect to PC using the 3.5mm cable
3. 3.5mm inline controls can be used to adjust audio.

Mic select

- Select “microphone” position for inline microphone
- Select headset position to use headset boom microphone

Features that require USB power, including 7.1 surround sound, on-headset buttons, volume wheel operation, and customization of lighting and button functions are not available without USB connection. Boom mic is not available for 3.5mm device while in Wireless On mode.

Some PCs may require a 3.5mm 4-pole to mic/stereo splitter adapter (not included) to use microphone features in this mode.

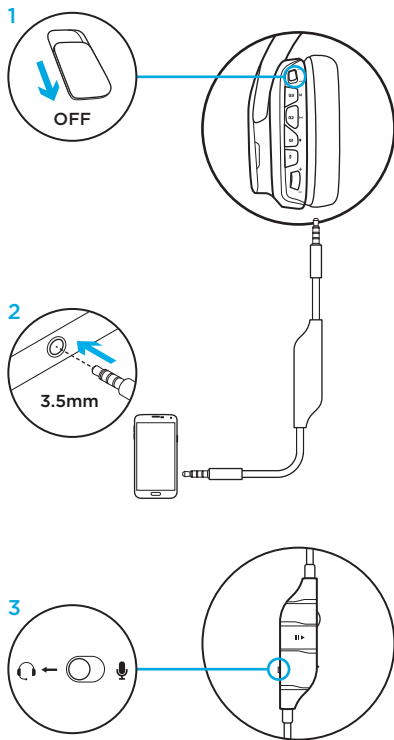


Setup for mobile

1. Set switch to Wireless Off mode for passive audio mode, or set to Wireless On mode for active audio mode with additional features (see “Wireless On/Off” section).
2. Connect the headset to the mobile device via the 3.5mm cable.
3. 3.5mm inline controls can be used to adjust audio.

Mic select

- Select “microphone” position for inline microphone
- Select headset position to use headset boom microphone



Setup for console: Xbox One™ or PS4™

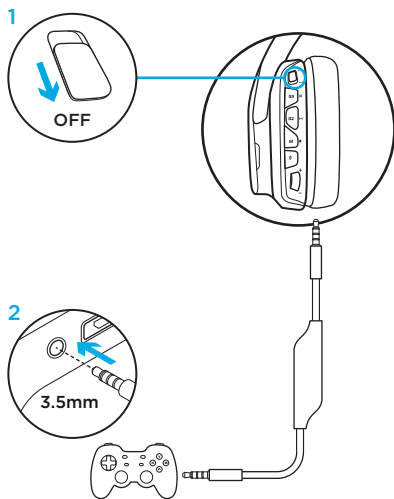
1. Set switch to Wireless Off mode for passive audio mode, or set to Wireless On mode for active audio mode with additional features (see “Wireless On/Off” section).
2. Connect the headset to the console controller using the 3.5mm cable.
 - Xbox One may require Xbox One headset adapter (sold separately).

PlayStation setup (settings)

1. Connect headse
2. Open Settings
3. Select “Sound and Screen”
4. Select “Audio Output Settings”
5. Set “Output to Headphones” to “All Audio”

Headset will not operate via USB Wireless Mix Adapter on Xbox One.

Inline and boom microphones are both available when used in Wireless Off passive mode.



Alternate setup for Sony PlayStation® 4

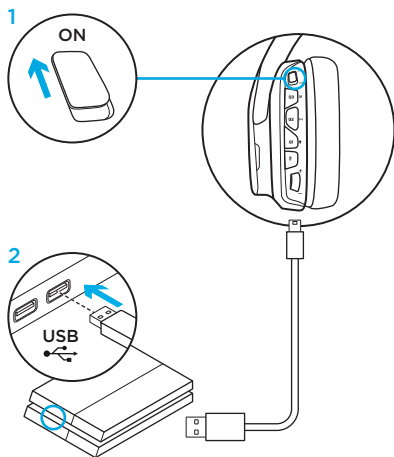
Wireless operation

1. Set switch to Wireless On position.
2. Connect the headset to the console using the USB cable.

Note: Some buttons and functions may not operate when connected to the PlayStation 4. Programming of lighting and buttons is not possible on the PlayStation. 7.1 surround sound is not available while connected to PlayStation.

PlayStation setup (settings)

1. Plug in headset via USB or 3.5mm cables
2. Open Settings
3. Select “Sound and Screen”
4. Select “Audio Output Settings”
5. Set “Output to Headphones” to “All Audio”

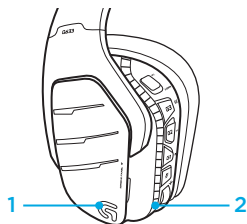


RGB lighting zone customization

- **Zone 1:** G logo
- **Zone 2:** Lighting strip

Each lighting zone can be programmed with the Logitech Gaming Software (PC mode only).

www.logitech.com/support/g933



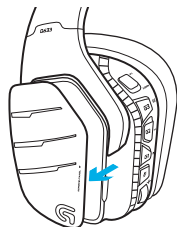
Tag customization

The left and right custom tags can be removed and replaced with custom tags.

Logitech Gaming Software

G-key buttons, lighting, equalizer, and surround sound profile programming is possible through the Logitech Gaming Software.

1. G-keys
2. Lighting
3. Equalizer
4. Surround

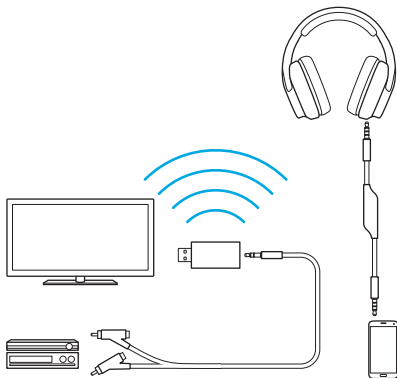


1 2 3 4

Wireless Home Theater

G933 can be used to connect to home theater systems wirelessly:

1. Set headset to Wireless On mode
2. Plug USB Wireless Mix Adapter into any USB power source (i.e. USB wall adapter, powered USB port on TV, or console port).
3. Plug RCA to 3.5mm cable into RCA Output on Home Theater and 3.5mm input on USB Wireless Mix Adapter.
4. Audio will transmit via USB Wireless Mix Adapter to headset.



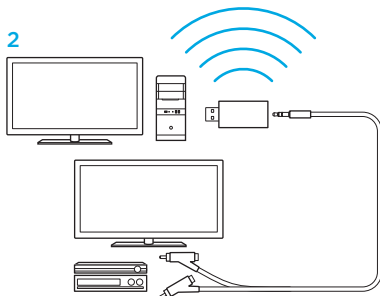
Three source audio mixing

The device will mix audio from all connected sources. Up to three devices can be connected.

Available inputs:

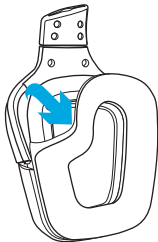
- USB
- 3.5mm (on headset, stereo + mic)
- 3.5mm (on mix adapter, stereo only)

1. Answer calls while playing games
2. Watch TV and answer calls while playing games



Earpad cleaning

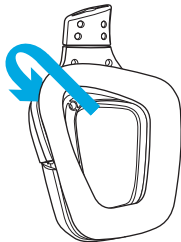
1. Removal



2. Washing

- a. Once removed, the earpads can be hand washed in warm water.
- b. Press with soft towel to dry, do not wring.
- c. Allow to air dry before reattaching.

3. Replacement





gaming.logitech.com

www.logitech.com/support/g933

© 2015 Logitech. Logitech, Logi and other Logitech marks are owned by Logitech and may be registered. "PlayStation," "PlayStation 4," and "PS4" are registered trademarks of Sony Computer Entertainment Inc. Xbox One is either registered trademark or trademark of the Microsoft group of companies. All other trademarks are the property of their respective owners.

621-000664.002