

Logitech PROFILER SOFTWARE

ENGLISH Software includes the Profiler; use it to optimize the performance of your device.

DEUTSCH Mit der mitgelieferten Software (Profiler) können Sie die Geräteleistung optimieren.

FRANÇAIS Le logiciel inclut Profiler; utilisez-le pour optimiser les performances de votre dispositif.

ITALIANO Il software comprende Profiler; utilizzare questa applicazione per ottimizzare le prestazioni del dispositivo.

ESPAÑOL El software incluye Profiler; utilícelo para optimizar el rendimiento del dispositivo.

PORTUGUÊS Profiler incluso no software; use-o para otimizar o desempenho do dispositivo.

NEDERLANDS Software omvat de Profiler; hiermee kunt u de prestaties van uw apparaat optimaliseren.

SVENSKA Profiler ingår i programmet; använd det för att finjustera enheten.

DANSK I softwaren findes programmet Profiler. Brug det til at denne enhed.

NORSK Programvaren inkluderer Profiler. Bruk den for å optimere enhetens funksjoner.

SUOMI Profiler sisälhy ohjelmaan; Käytä sitä optimoimaan laitteen toimintaa.

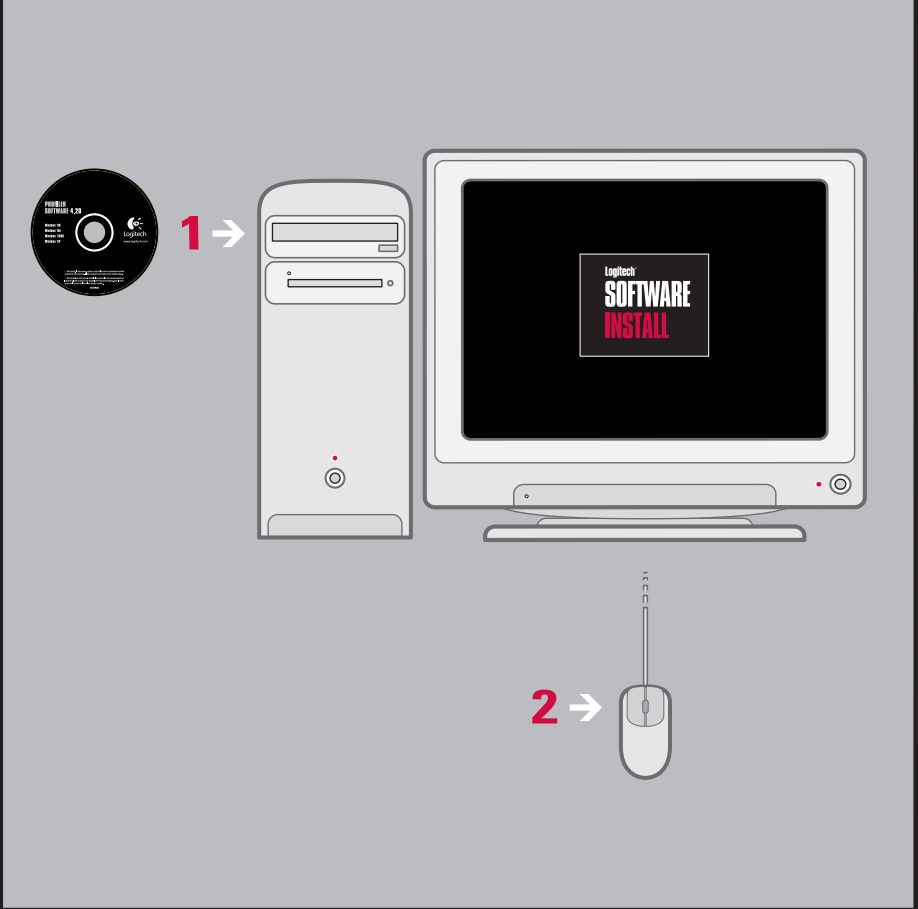
ἠλληνικά Ἡ το λογισμικό ἐρῶ μὲν ἀνέτ- το Profiler. Χρητίζοιτο εἰς τὸ ἰ-ν βελτιοῦσι τὸ εἶδος τῆς συσκευῆς ἑ-ς.

По-русски В состав программного обеспечения входит программа Profiler, которая позволяет повысить эффективность работы данного устройства.

MAGYAR A szoftver tartalmazza a Profiler programot, amelyvel optimalizálhatja az eszköz teljesítményét.

ČESKÁ VERZE Součástí softwaru je program Profiler. Slouží k optimalizaci výkonu tohoto zařízení.

PO POLSKU Oprogramowanie zawiera tzw. Profiler, który pomoże Ci zoptymalizować działanie urządzenia.



ENGLISH When prompted, insert connector into USB port. **3 → 4**

DEUTSCH

FRANÇAIS

ITALIANO

ESPAÑOL

PORTUGUÊS

NEDERLANDS

SVENSKA

DANSK

NORSK

SUOMI

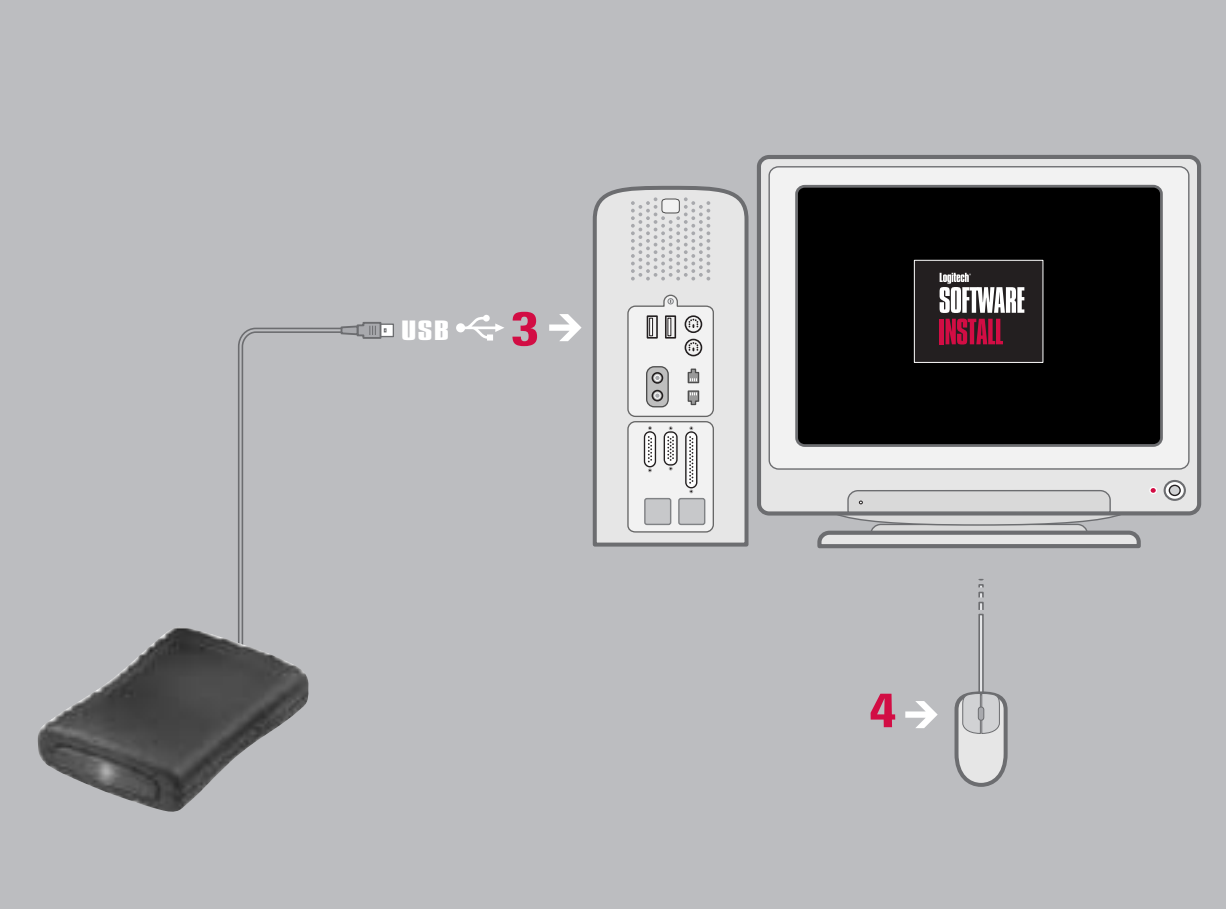
ἠλληνικά

По-русски

MAGYAR

ČESKÁ VERZE

PO POLSKU



ENGLISH On joystick, remove battery cover, insert batteries, and replace cover. Press a joystick button to establish connection. **Joystick status indicator:** 1. Orange for 5 seconds when joystick searches for connection with receiver. 2. Green for 5 seconds after connection is made with receiver. 3. Blinks red when batteries are low. **Receiver LED:** 1. Slowly blinks green when there is no connection between joystick and receiver. 2. Is solid green when joystick and receiver are communicating. 3. Quickly blinks green when receiver searches for new joystick. **5**

DEUTSCH

FRANÇAIS

ITALIANO

ESPAÑOL

PORTUGUÊS

NEDERLANDS

SVENSKA

DANSK

NORSK

SUOMI

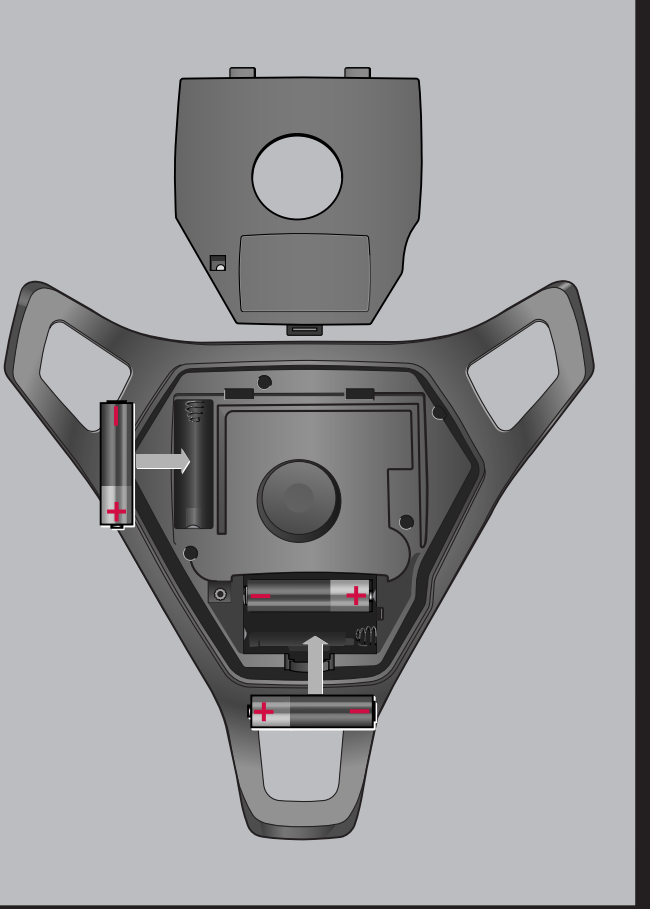
ἠλληνικά

По-русски

MAGYAR

ČESKÁ VERZE

PO POLSKU



ENGLISH You are now ready to play a game. **6**

DEUTSCH Sie können jetzt ein Spiel aufrufen.

FRANÇAIS Vous êtes maintenant prêt à jouer.

ITALIANO Ora è possibile incominciare a giocare.

ESPAÑOL Ya puede empezar a jugar.

PORTUGUÊS Agora você está preparado para jogar.

NEDERLANDS U bent nu klaar om een spel te beginnen.

SVENSKA Nu kan du börja spela.

DANSK Nu er du klar til at spille et spil.

NORSK Du er nå klar til å begynne å spille.

SUOMI Olet nyt valmis pelaamaan.

ἠλληνικά Μπορεί να αρχίσει το παιχνίδι.

По-русски Теперь можно начать игру.

MAGYAR Márja játszhat!

ČESKÁ VERZE Nyní můžete spustit hru.

PO POLSKU Teraz już możecie przystąpić do gry.

Federal Communication Commission Interference Statement
This equipment has been tested and found to comply with the limits for a Class B digital device, pursuant to Part 15 of the FCC Rules. These limits are designed to provide reasonable protection against harmful interference in a residential installation. This equipment generates, uses and can radiate radio frequency energy and, if not installed and used in accordance with the instructions, may cause harmful interference to radio communications. However, there is no guarantee that interference will not occur in a particular installation. If this equipment does cause harmful interference to radio or television reception, which can be determined by turning the equipment off and on, the user is encouraged to try to correct the interference by one of the following measures:

- Reorient or relocate the receiving antenna.
- Increase the separation between the equipment and receiver.
- Connect the equipment into an outlet on a circuit different from that to which the receiver is connected.
- Consult the dealer or an experienced radio/TV technician for help.

Information to User – The users manual or instruction manual for an intentional or unintentional radiator shall caution the user that changes or modifications not expressly approved by the party responsible for compliance could void the user's authority to operate the equipment.

CAUTION STATEMENT
This device complies with Part 15 of the FCC Rules. Operation is subject to the following two conditions: (1) This device may not cause harmful interference, and (2) this device must accept any interference received, including interference that may cause undesired operation.

LOGITECH ON THE WORLD WIDE WEB: WWW.LOGITECH.COM

© 2002 Logitech. All rights reserved. Logitech, the Logitech logo, and other Logitech marks are owned by Logitech and may be registered. All other trademarks are the property of their respective owners. Logitech assumes no responsibility for any errors that may appear in this manual. Information contained herein is subject to change without notice.

© 2002 Logitech. Tous droits réservés. Logitech, le logo Logitech et les autres marques Logitech sont la propriété exclusive de Logitech et sont susceptibles d'être des marques déposées. Toutes les autres marques sont la propriété exclusive de leurs détenteurs respectifs. Logitech décline toute responsabilité en cas d'erreurs dans ce manuel. Les informations énoncées dans le présent document peuvent faire l'objet de modifications sans avis préalable.

Part number: 623051-0914

