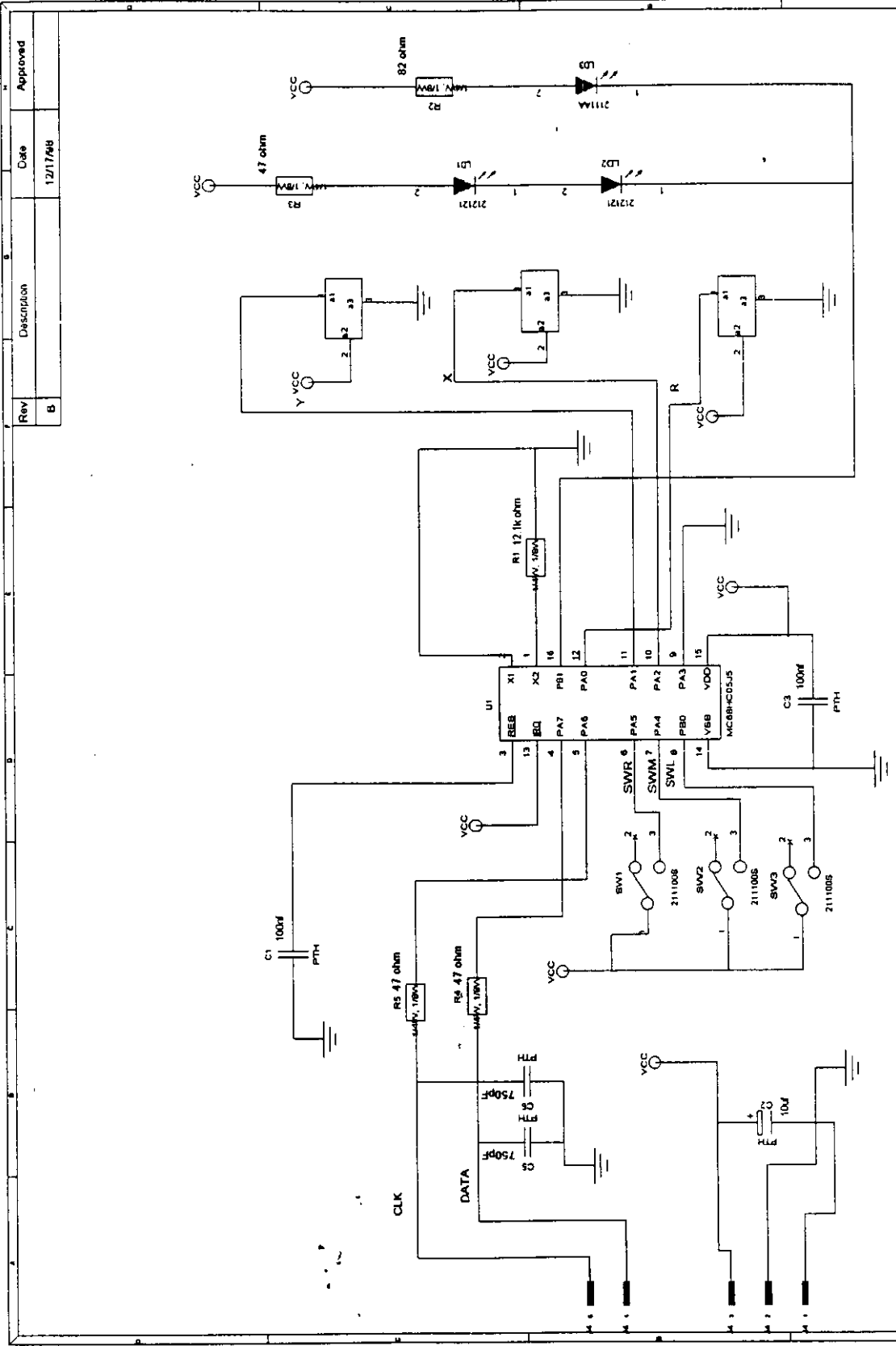


FCC ID: JNZ201213



Rev	Description	Date	Approved
B		12/17/08	

Logitech		DATE :	
TITLE	Schematic of SugarLoaf 2	DRAWN	Tai.Chu
DOC ID	221213-0000	CHECK	
ENG AP	Tai.Chu	SHEET	OF 1
DSK FILE			

LVL	P/N	DESCRIPTION	UN	TP	BIL	Qty	REFERENCE
	850785-0001	MSE CRD, OEM, PS2, M-SAT48A, SUGARLOAF 2, PKG					
1	850207-0001	POLY BAG 365X120 MM	EA	B	EP	1	
1	850288-1000	PCKG, CRTN, BLK, N7/NB/PMIC, W/LOGO97	EA	B	E	0.01333	
2	703435-1001	AW, CRTN, BLK, N7/NB/PMIC, LOGO97	EA	X	E	0	
1	850288-1001	PCKG, CRTN, BLK, N7/NB/PMIC, W/NEW LOGO, CHA	EA	B	EP	0.01333	
2	703435-1000	AW, CRTN, BLK, N7/NB/PMIC, NEW LOGO, CHA	EA	X	E	0	
1	850271-00	LAYER, BLK CRTN, N7/NB/PMIC	EA	B	EP	0.03	
1	850889-00	PARTITION, CARTON BULK	EA	B	EP	0.02	
1	850785-0000	MSE CRD, OEM, PS2, M-SAT48A, SUGARLOAF 2, UPK	EA	P	EP	1	
2	000008-00	SCRW, #4-24 X 3/8 IN, PKLPS/PN	EA	B	EP	1	
2	781584-0000	SPEC-HW, COMPONENT, RAMBO 5	EA	P	E	0	
2	781591-0000	SPEC-HW, ENG SPC, WHEEL CR	EA	P	E	0	
2	001458-0000	SPRING, LIFT, WHEEL CR	EA	B	EP	1	
2	051017-0000	BALL, HEAVY BALL, GRAY, 28GM	EA	B	EP	1	
3	711110-0000	CCP, GRAY, HEAVY BALL	EA	X	E	0	
2	221213-0000	PWA, OEM, PS2, M-SAT48A, SUGAR LOAF 2	EA	M	EP	1	
3	010314-0000	HW-SBASV, OPTO/PHOTOIC??, WHEEL BTN, C	EA	M	EP	1	
4	001458-0000	SOLDER, FIXTURE, WHEEL CR, RAMBO 5	EA	X	EP	0.2	
4	141038-0000	LED, 3MM, IR2183-2/F13	EA	B	EP	1	LD3
4	141057-0000	PHOTOIC, RAMBO 5 R90, 3LD	EA	B	EP	1	LQ3
3	010315-0000	HW-SASV, LED/LRD, SUGARLOAF 2, OPTOS	EA	M	EP	2	
4	141058-0000	LED, RAMBO 5, 2 PIN, HIGHER RANK	EA	B	EP	2	LD1, 2
4	141058-0000	PHOTOIC, RAMBO 5, R0, 3LD	EA	B	EP	2	LQ1, 2
4	001474-0000	SOLDER, FIXTURE, XY ENCODER, RAMBO 5	EA	X	EP	0.2	
3	110178-00	CAP, ELCTRO, 18V, 20%, 10 UF, T/R	EA	B	EP	1	C2
3	110010-00	CAP, ELEC, 10UF, 18V, 4X7, 20%	EA	B	E	1	SUB C2
3	111053-0000	CAP, 100NF, CER, 50V, 10%, X7R, RDL, PTH	EA	B	EP	2	C1, C3
3	112045-0000	CAP, 750PF, CER, 48V, 10%, X7R, RDL, PTH	EA	B	EP	2	C5, C6
3	110004-00	CAP, CER, RDL, 50V, +80/-20%, 1MF, 0.1"LS, T/R	EA	B	E	2	SUB C1, C3
3	110111-00	CAP, CER, 100PF, 50V, 5%, COG, 0.1"LD, RDL	EA	B	E	1	C4 NOT MOUNTED
3	151021-0000	SW, DICGU, DM-00P-70-2-0, 1000K LIF	EA	B	EP	1	SW2 (1M)
3	151022-0000	SW, ZIPPY, DF-P1L-OP-1, 3000K LIFE	EA	B	E	1	SUB SW2 (3M)
3	151007-0000	SW, MICRO, SPDT, ACT TOP, VERT MOUNT, L FORCE	EA	B	E	1	SUB SW2
3	150068-0001	SWI, MICRO, OMRON, D2FC-F-7	EA	B	E	1	SUB SW2
3	150064-00	SWITCH, MATSUSHITA, LIGHT FORE, STRA	EA	B	E	1	SUB SW2
3	151022-0000	SW, ZIPPY, DF-P1L-OP-1, 3000K LIFE	EA	B	EP	2	SW1, SW3 (3M)
3	151007-0000	SW, MICRO, SPDT, ACT TOP, VERT MOUNT, L FORCE	EA	B	E	2	SUB SW1, SW3
3	150068-0001	SWI, MICRO, OMRON, D2FC-F-7	EA	B	E	2	SUB SW1, SW3
3	150064-00	SWITCH, MATSUSHITA, LIGHT FORE, STRA	EA	B	E	2	SUB SW1, SW3
3	102045-0000	RES, 0 OHM, 1.5A, 1/8W (Pkch 300 ml)	EA	B	EP	2	SUB W1, W2
3	102045-0001	RES, 0 OHM, 2A, 1/8W (Pkch 300 ml)	EA	B	EP	2	DEFAULT, W1, W2
3	101042-0000	RES, 0 OHM, 2A(18W), RDL (Pkch 300 ml)	EA	B	EP	2	SUB W1, W2
3	130002-00	RESONATOR, CERAMIC, 4MHZ	EA	B	EP	1	W1, W2 (QTP)
3	102052-0508	RES, 12.1K OHM, 1/8W, 1%, MF (Pkch 300 ml)	EA	B	E	1	R1 (ROM)
3	551022-0000	CONN, 5P, HDR, VT, 2.0MM SP, THD TAE	EA	B	E	1	SUB CBL SHLD+J1
3	211213-0000	PCBPIN, OEM, PS2, M-SAT48A, SUGAR LOAF 2	EA	B	EP	0.083333	
4	781812-0000	SPEC-HW, PCB, MSE, M-SAT48A, SUGARLOAF 2	EA	P	E	0	
3	331082-0001	IC, MC, MC88HC05J5A, DIP16, S12.0, ROM	EA	B	EP	1	DEFAULT, U1
4	311092-0001	FW, MSTR, CODE, ROM, S12.0	EA	P	E	0	
4	311092-0010	FW, MSTR, SOURCE, S12.0	EA	P	E	0	
4	781818-0000	SPEC-FW, S12.0 FIRMWARE ENG SPECIFICATIONS	EA	P	E	0	
3	331082-0000	IC, MC, MC88HC705J5A, DIP16, S12.0, QTP	EA	M	EP	1	SUB, U1
4	301028-0000	IC, MC, MC88HC705J5A, DIP16, OTP, BLANK	EA	B	EP	1	
4	311092-0000	FW, MSTR, CODE, QTP, S12.0	EA	P	E	0	
4	311092-0010	FW, MSTR, SOURCE, S12.0	EA	P	E	0	
4	781818-0000	SPEC-FW, S12.0 FIRMWARE ENG SPECIFICATIONS	EA	P	E	0	
3	M-6337	SOLDER BAR	KG	B	EP	0.002	
2	431564-0000	CASE, ABS, MSE, NABA, APPLE PLATINUM	EA	M	EP	1	
3	001432-0000	SUPPORT, WHEEL CR	EA	B	EP	1	
3	001425-0000	SPRING, RATCHET, WHEEL CR	EA	B	EP	1	
3	001458-0000	DRUM, TIRE, D-22MM, W-6MM, PMS415C, WHEEL CR	EA	B	EP	1	
3	401385-0000	CASE, PP, BOTTOM, MSE, NABA	EA	B	EP	1	
3	401386-0000	CASE, PP, TOP, MSE, NABA	EA	B	EP	1	
3	401387-0000	CASE, PP, KEY PLATE, MSE, NABA	EA	B	EP	1	
3	401227-0001	CASE, PP, MSE, NAB, BELLY DOOR	EA	B	EP	1	
3	001225-0000	FOOT, FRONT	EA	B	EP	1	
3	001226-0000	FOOT, REAR	EA	B	EP	1	
3	001488-0000	ROLLER, 8MM, CENTER HOLE	EA	B	EP	1	
3	001470-0000	SPRING, TORSION, 459MM	EA	B	EP	1	
3	001471-0000	COMBIDISK, FUTURE II, ABS	EA	B	EP	2	
3	001198-0000	COMBIDISK, FUTURE II	EA	B	E	2	SUB COMBIDISK
3	821422-839C	COMBIDISK, WALLIE 8KCC, S23	EA	B	E	2	SUB COMBIDISK
3	710652-00	CCP, APPLE PLATINUM	EA	X	E	0	ABS
3	781877-0000	AW, INGRAVING, BLY LBL, STD, M-SAT48A	EA	X	E	0	BLY LBL
2	841582-0001	LBL, BLANK, SA, IC, 14.0 X 5.0 MM	EA	B	EP	1	BLY LBL
2	843170-0000	LBL, BLY, BLANK, NABA	EA	B	E	1	SUB BLY LBL
2	781389-0000	API, LBL, BLY PRINT, M-SAT48A, SUGARLOAF 2	EA	P	E	0	SUB BLY LBL
2	001172-0000	THERMAL, TRANSFER RIBBON, 7.1CMX152	EA	B	EP	0.043867	DEFAULT
2	000582-00	THERMAL, TRANSFER RIBBON, 115CM X40	EA	B	EP	0.043867	SUB
2	581241-0000	CBL, SHLD, MD8M, 8FT, 415C, MSE ICON, W/O HOUSING	EA	B	EP	1	CBL
3	703878-0000	AW, MOUSE ICON, 2 BUTTONS PS/2	EA	X	E	0	
2	501208-0000	CBL, SHIELD, MD8M, 8FT, 4-C, W/O HOUSING	EA	B	E	1	SUB CBL SHIELDED
3	703878-0000	AW, MOUSE ICON, 2 BUTTONS PS/2	EA	X	E	0	
2	601104-0000	CBL, SHLD, MD8M, 8FT, 415C, MSE ICON	EA	B	E	1	SUB CBL SHLD+J1
3	703878-0000	AW, MOUSE ICON, 2 BUTTONS PS/2	EA	X	E	0	
2	781811-0000	SPEC-HW, ENG SPEC, M-SAT48A, SUGARLOAF 2	EA	P	E	0	
2	771258-0000	TST-PLN, EVT, MSE, M-SAT48A, SUGAR LOAF 2	EA	P	E	0	
2	771257-0000	TST-RPT, EVT, MSE, M-SAT48A, SUGAR LOAF 2	EA	P	E	0	
2	771258-0000	TST-PLN, DVT, MSE, M-SAT48A, SUGAR LOAF 2	EA	P	E	0	
2	771258-0000	TST-RPT, DVT, MSE, M-SAT48A, SUGAR LOAF 2	EA	P	E	0	
2	771280-0000	TST-PLN, FVT, MSE, M-SAT48A, SUGAR LOAF 2	EA	P	E	0	
2	771281-0000	TST-RPT, FVT, MSE, M-SAT48A, SUGAR LOAF 2	EA	P	E	0	