

Important Ergonomic Information Información sanitaria importante
 Informations importantes relatives au confort
 Importantes informações sobre Conforto

English

Important Ergonomic Information. Long periods of repetitive motions using an improperly set-up workspace, incorrect body position, and poor work habits may be associated with physical discomfort and injury to nerves, tendons, and muscles. If you feel pain, numbness, weakness, swelling, burning, cramping, or stiffness in your hands, wrists, arms, shoulders, neck, or back, see a qualified health professional. For more information, please read the Comfort Guidelines located in the help system and on the "Logitech" web site at <http://www.logitech.com/comfort>

Español

Información sanitaria importante. Realizar tareas repetidas durante largos periodos de tiempo, una disposición inadecuada del lugar de trabajo, una posición incorrecta del cuerpo y hábitos de trabajo deficientes pueden ocasionar cansancio y lesiones físicas en nervios, tendones y músculos. Ante cualquier síntoma de dolor, rigidez, debilidad, inflamación, quemadura, calambres o agotamiento de manos, muñecas, brazos, hombros, cuello o espalda, consulte a un profesional sanitario titulado. Para más información consulte las Recomendaciones para evitar el cansancio, que encontrará en la Ayuda y en la página Web de Logitech" <http://www.logitech.com/comfort>

Français

Informations importantes relatives au confort. Des tâches répétitives effectuées pendant de longues périodes et un espace de travail mal agencé risquent de provoquer un certain inconfort, voire des blessures au niveau des nerfs, des tendons et des muscles. Si vous ressentez des douleurs, des engourdissements, des gonflements, des crampes, des raidisseurs ou des sensations de brûlure, au niveau des mains, des poignets, des bras, des épaules, du cou ou du dos, consultez votre médecin. Pour plus d'informations, veuillez consulter le guide Logitech et votre confort, situé dans l'Aide et sur le site Web de Logitech" à l'adresse suivante: <http://www.logitech.com/comfort>.

Português

Importantes Informações sobre Conforto. Longos períodos de movimento repetitivo em uma área de trabalho inadequada, posição corporal incorreta e hábitos de trabalho desconfortáveis podem estar associados a mal-estar físico e traumatismo nos nervos, tendões e músculos. Se sentir dor, dormência, fraqueza, inchaço, ardor, câimbra ou rigidez nas mãos, nos pulsos, braços, ombros, pescoço ou costas, consulte um médico. Para obter mais informações, consulte Orientações de Conforto, localizado no sistema de ajuda e no site Web da Logitech", em <http://www.logitech.com/comfort>.

1 Contents Contenido Contenu Conteúdo

English

Package Contents: **1.** Receiver and PS/2 adapter **2.** Batteries **3.** Software **4.** Keyboard **5.** Mouse

Español

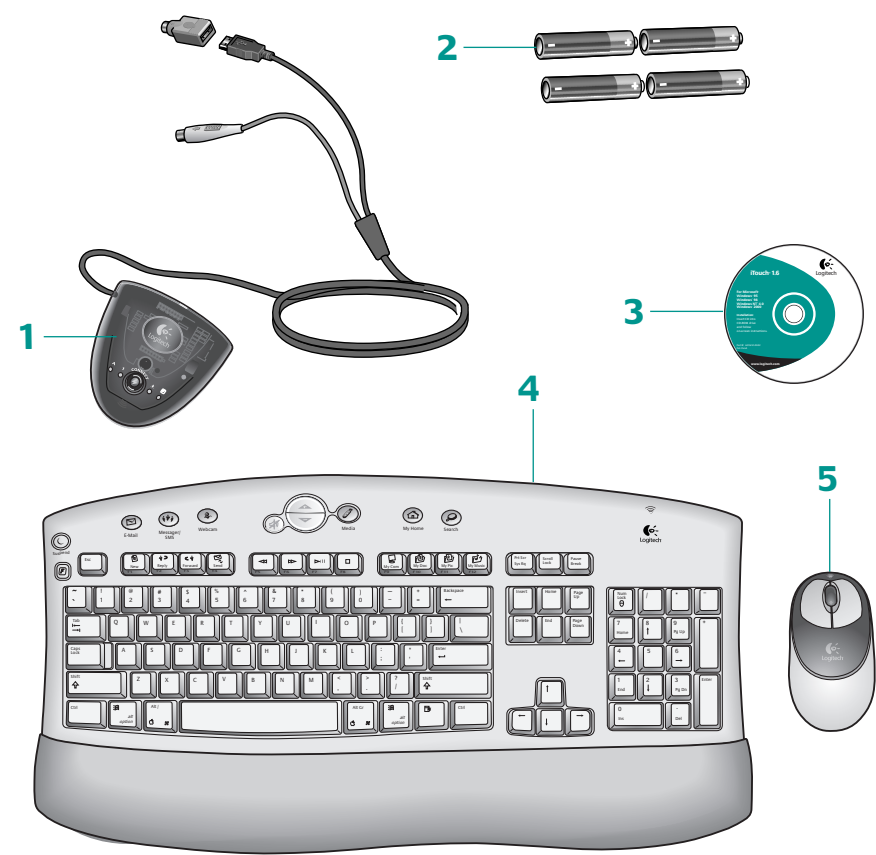
Contenido de la caja: **1.** Receptor y adaptador PS/2 **2.** Pilas **3.** Software **4.** Teclado **5.** Ratón

Français

Contenu du coffret: **1.** Récepteur et adaptateur PS/2 **2.** Piles **3.** Logiciel **4.** Clavier **5.** Souris

Português

Conteúdo do Pacote: **1.** Receptor e adaptador PS/2 **2.** Pilhas **3.** Software **4.** Teclado **5.** Mouse



2 Receiver Receptor Récepteur Receptor

English

Turn off the computer. For PCs, connect the receiver to the desktop via the PS/2 ports **1**, or to the notebook via the USB port only **2**. (Use PS/2 connections when possible). NOTE: For any USB connection, DO NOT use the PS/2 mouse connector. For Macintosh", connect receiver to a single USB port only **3**. Place receiver away from electronic devices **4**.

Español

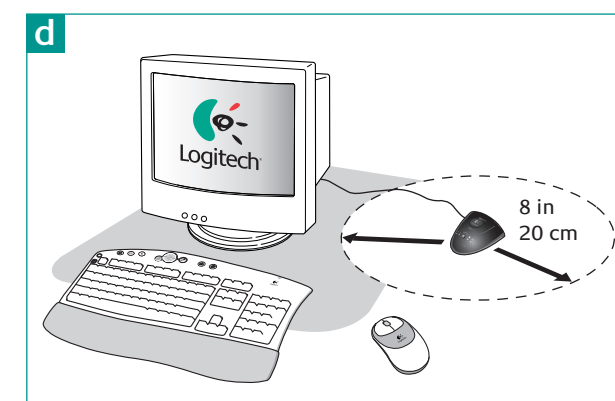
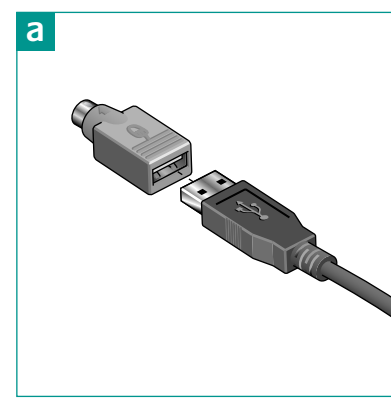
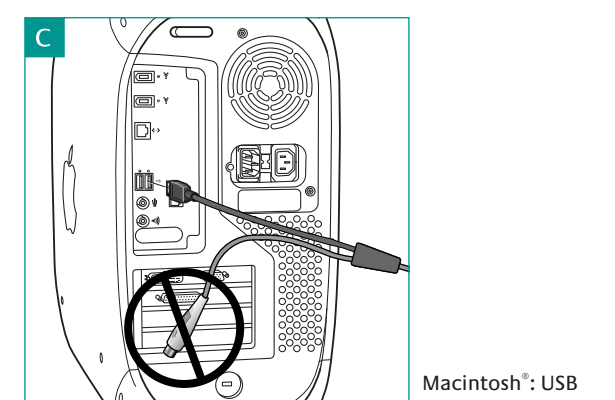
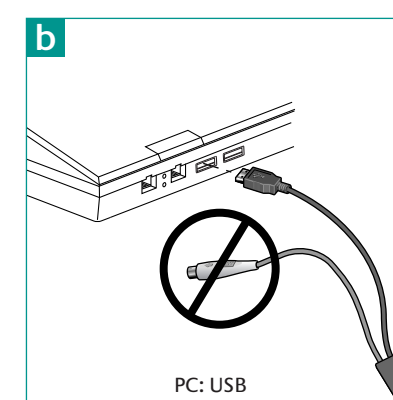
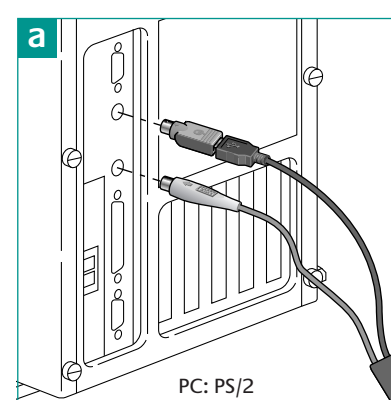
Apague el ordenador. En PC, conecte el receptor al ordenador de sobremesa a través de los puertos PS/2 **1**, o al portátil sólo a través del puerto USB **2**. Utilice conexiones PS/2 siempre que sea posible. NOTA: para cualquier conexión USB, NO utilice el conector del ratón PS/2. En Macintosh", conecte el receptor sólo a un mismo puerto USB **3**. Mantenga el receptor alejado de dispositivos electrónicos **4**.

Français

Eteignez votre ordinateur. Si vous utilisez un PC, branchez le récepteur sur les ports PS/2 de l'ordinateur **1** ou sur le port USB du portable **2** (utilisez les connexions PS/2 si possible). REMARQUE: quelle que soit la connexion USB, n'utilisez PAS le connecteur de souris PS/2. Si vous utilisez un système Macintosh", connectez le récepteur à un seul port USB **3**. Tenez le récepteur éloigné des appareils électroniques **4**.

Português

Desligue o computador. Para PCs, conecte o receptor ao desktop, usando as portas PS/2 **1**, ou ao notebook, usando apenas a porta USB **2**. (Use as conexões PS/2 quando possível.) OBSERVAÇÃO: Para qualquer conexão USB, NÃO USE o conector PS/2 para mouse. Para Macintosh", conecte o receptor a apenas uma única porta USB **3**. Posicione o receptor longe de dispositivos eletrônicos **4**.



3 Batteries Pilas Piles Pilhas

English

Install the batteries. Refer to the battery diagram inside the battery compartment. Note where the positive and negative ends of the batteries are to be inserted.

Español

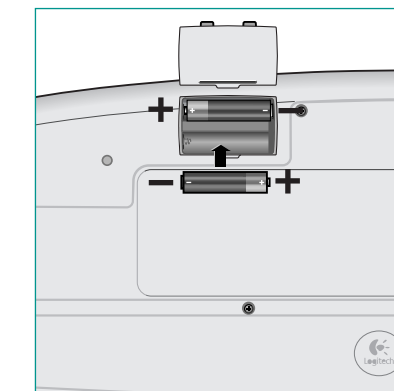
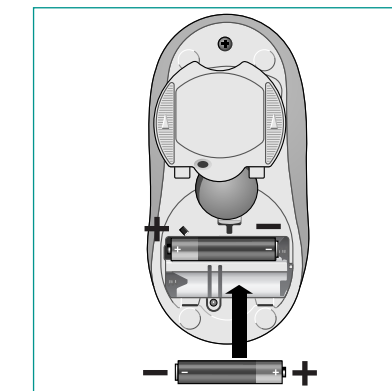
Coloque las pilas. Consulte el diagrama de las pilas, en el interior del compartimento correspondiente. Tenga en cuenta la posición de los extremos positivo y negativo de las pilas.

Français

Installez les piles. Reportez-vous au schéma dessiné à l'intérieur du logement des piles pour savoir dans quel sens insérer les piles.

Português

Coloque as pilhas. Consulte o diagrama das pilhas no interior do compartimento de pilhas. Observe onde as extremidades positiva e negativa das pilhas serão encaixadas.



4 Connect Conexión Connexion Conecte

English

Turn on computer. After system boot is finished, press connect button on receiver **1**, and then press connect button on mouse **2**. Next, press connect button on receiver **3** again and press connect button on keyboard **4**.

Español

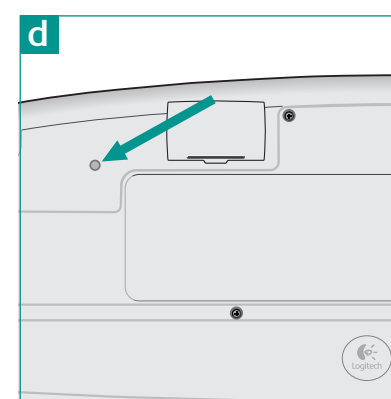
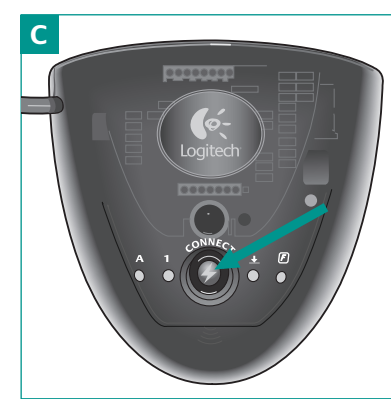
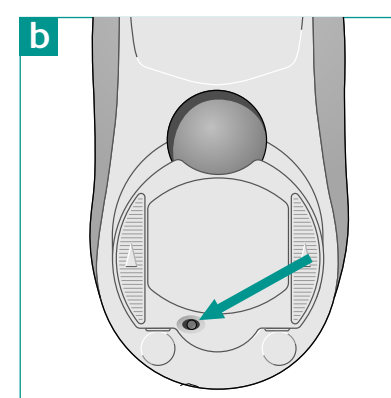
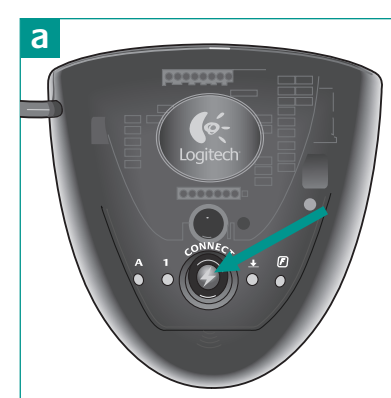
Encienda el ordenador. Después de finalizado el modo de inicio del sistema, pulse el botón de conexión del receptor **1**, y a continuación, el botón de conexión del ratón **2**. A continuación, vuelva a pulsar el botón de conexión del receptor **3** y pulse el botón de conexión del teclado **4**.

Français

Mettez l'ordinateur sous tension. Une fois le système initialisé, appuyez sur le bouton de connexion du récepteur **1**, puis sur le bouton de connexion de la souris **2**. Appuyez ensuite à nouveau sur le bouton de connexion du récepteur **3**, puis sur le bouton de connexion du clavier **4**.

Português

Ligue o computador. Depois que o sistema for iniciado, pressione o botão de conexão no receptor **1** e, em seguida, pressione o botão de conexão no mouse **2**. Em seguida, pressione novamente o botão de conexão no receptor **3** e pressione o botão de conexão no teclado **4**.



5 Software El Software Le logiciel O Software

English

To enjoy all the features of the keyboard and mouse, you must install the software. For Macintosh", use the F12 key to eject (open) the CD tray for systems that use keyboard ejection. After software installation, use the Media key to eject the CD tray.

Español

Para disponer de todas las funciones del teclado y el ratón, debe instalar el software. En Macintosh", pulse la tecla F12 para extraer CDs, si su sistema utiliza el método de extracción mediante teclado. Tras la instalación del software, use el botón Media para extraer CDs.

Français

Pour profiter pleinement de toutes les fonctions du clavier et de la souris, vous devez installer le logiciel. Pour les Macintosh" dotés d'une touche clavier d'éjection de CD, appuyez sur la touche F12 pour ouvrir le plateau CD. Une fois le logiciel installé, appuyez sur la touche Media pour ouvrir le plateau CD et retirer le CD.

Português

Para utilizar todos os recursos do teclado e do mouse, é necessário instalar o software. Para Macintosh", use a tecla F12 para ejetar (abrir) a bandeja do CD em sistemas que utilizam ejeção de teclado. Após instalar o software, use a tecla Media para ejetar a bandeja do CD.

Features Funciones Funcions Recursos

English

1. Suspend key **2.** F-Lock key **3.** Communication keys **4.** Multimedia keys **5.** Internet keys. For more information, refer to the online help system located on your hard disk.

Español

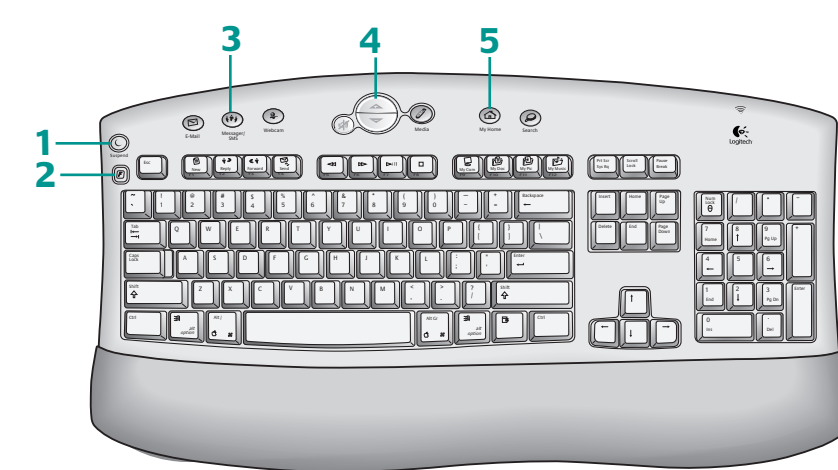
1. Botón de suspensión **2.** Botón Bloq teclas **3.** Botones de comunicación **4.** Botones multimedia **5.** Botones de Internet. Para más información, consulte la Ayuda ubicada en el disco duro.

Français

1. Touche d'interruption **2.** Touche Ver. **3.** Touches de communication **4.** Touches multimédias **5.** Touches Internet Pour de plus amples informations, consultez l'aide en ligne située sur votre disque dur.

Português

1. Tecla Suspende **2.** Tecla de Bloqueio F **3.** Teclas de Comunicação **4.** Teclas de Multimídia **5.** Teclas da Internet. Para obter mais informações, consulte o sistema de ajuda on-line, no disco rígido.



Troubleshooting Resolución de problemas Dépannage
 Solução de Problemas

English

Troubleshooting. Keyboard/mouse do not work: **1.** Check the receiver's cable connections. **2.** Press the connect button on the receiver; press the connect button on the bottom of keyboard and mouse. **3.** Refer the help system on the hard disk.

Español

El teclado/ratón no funciona: **1.** Compruebe las conexiones del cable del receptor. **2.** Pulse el botón de conexión del receptor y, a continuación, el botón de conexión situado en la parte inferior del teclado y del ratón. **3.** Consulte la Ayuda ubicada en el disco duro.

Français

Le clavier/la souris ne fonctionnent pas: **1.** Vérifiez les connexions des câbles du récepteur. **2.** Appuyez sur le bouton de connexion du récepteur, puis sur le bouton de connexion situé sous le clavier et la souris. **3.** Consultez l'aide en ligne qui se trouve sur le disque dur.

Português

Teclado/mouse não funcionam. **1.** Verifique as conexões do cabo do receptor. **2.** Pressione o botão de conexão no receptor e, em seguida, pressione o botão de conexão na parte inferior do teclado e do mouse. **3.** Consulte o sistema de ajuda no disco rígido.



Logitech® on the world wide web: www.logitech.com

©2002 Logitech. All rights reserved. Logitech, the Logitech logo, and other Logitech marks are owned by Logitech and may be registered. All other trademarks are the property of their respective owners. Logitech assumes no responsibility for any errors that may appear in this manual. Information contained herein is subject to change without notice.

Part number: 623057-0403

Setup

Logitech® Cordless
 Access Duo™



FCC COMPLIANCE AND ADVISORY STATEMENT

This device complies with Part 15 of the FCC Rules. Operation is subject to the following two conditions: (1) this device may not cause harmful interference, and (2) this device must accept any interference received, including interference that may cause undesired operation.

This equipment has been tested and found to comply with the limits for a Class B digital device, pursuant to Part 15 of the FCC Rules. These limits are designed to provide reasonable protection against harmful interference in a residential installation. This equipment generates, uses, and can radiate radio frequency energy and, if not installed or used in accordance with the instructions, may cause harmful interference to radio communications. However, there is no guarantee that interference will not occur in a particular installation. If this equipment does cause harmful interference to radio or television reception, which can be determined by turning the equipment off and on, the user is encouraged to try to correct the interference by one or more of the following measures: 1) reorient or relocate the receiving antenna; 2) increase the separation between the equipment and the receiver; 3) connect the equipment to an outlet on a circuit different from that to which the receiver is connected; 4) consult the dealer or an experienced radio/TV technician for help.

Any changes or modifications not expressly approved by the party responsible for compliance could void the user's authority to operate the equipment. Where shielded interface cables have been provided with the product or specified additional components or accessories elsewhere defined to be used with the installation of the product, they must be used in order to ensure compliance with FCC regulations.