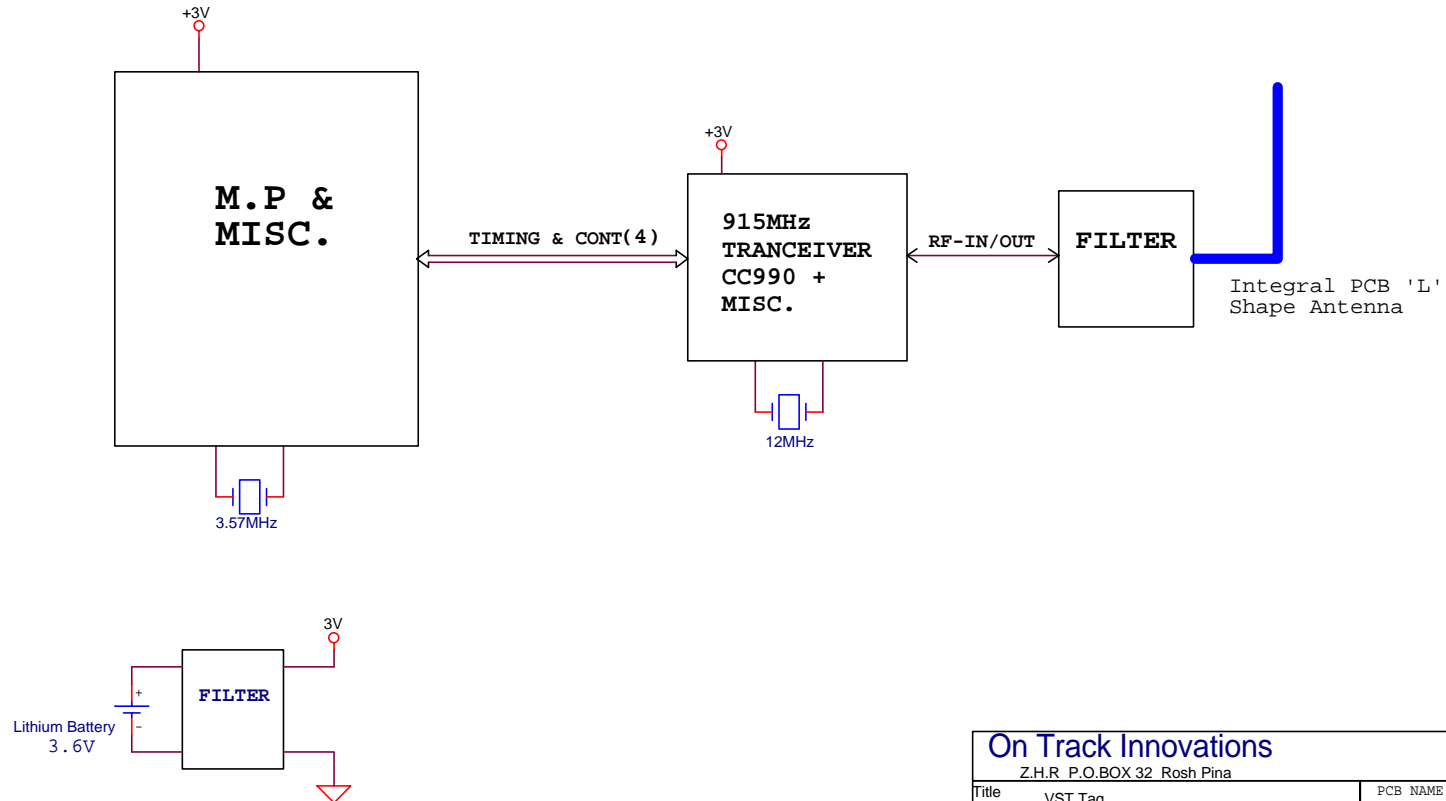


## VST TAG BLOCK DIAGRAM



<b>On Track Innovations</b>			
Z.H.R P.O.BOX 32 Rosh Pina			
Title	VST Tag	PCB NAME	OTI P/N
Size	Document Number	Rev	
A	C:\ORCAD\DRAWING\VST-BD	1.0	
Date:	Sunday, January 13, 2002	Sheet	1 of 1