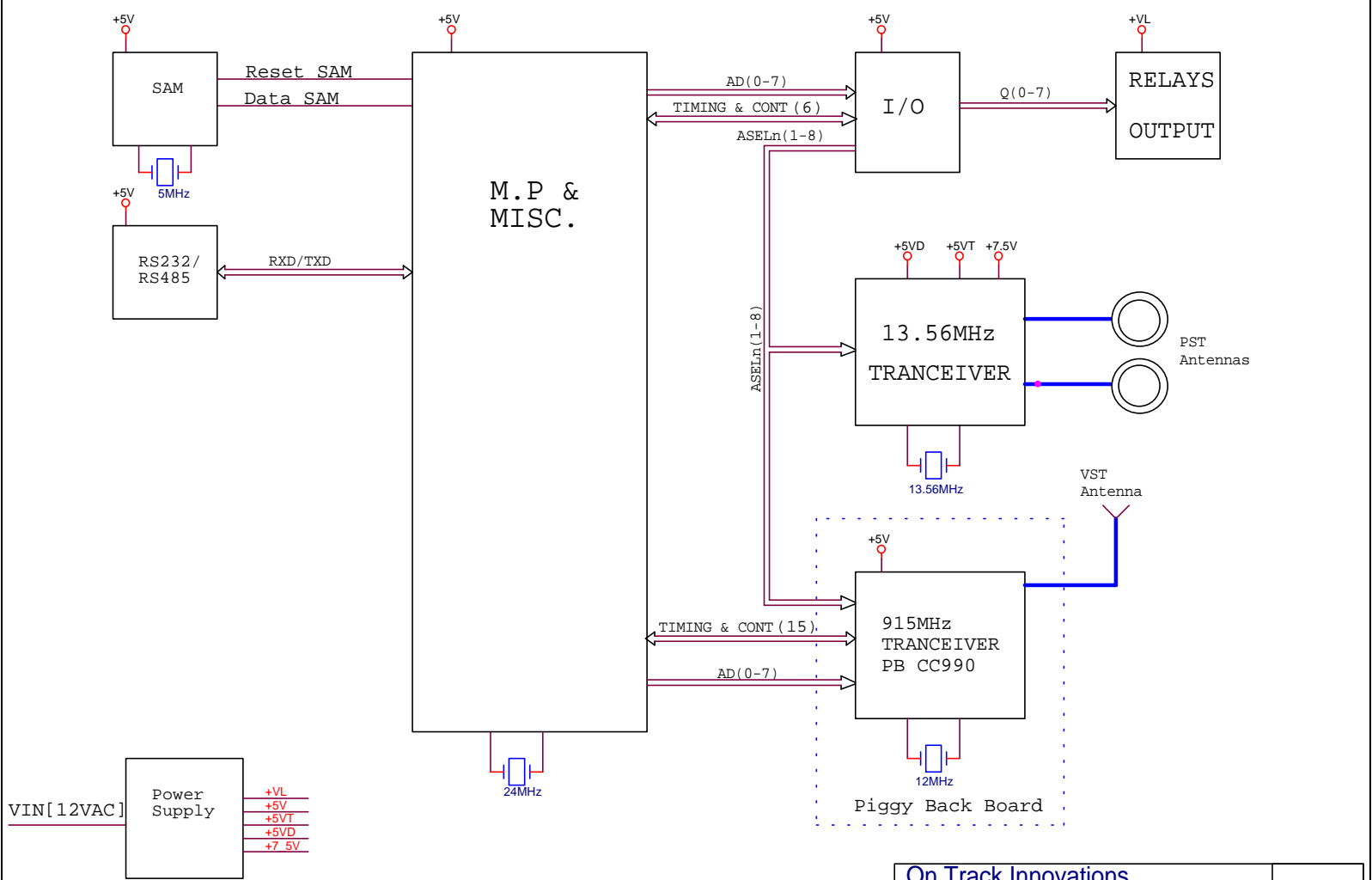


VST/PST CONTROLLER BLOCK DIAGRAM



On Track Innovations			
Z.H.R. P.O.BOX 32 Rosh Pina			
Title		PCB NAME	OTI P/N
OTI VST/PST CONTROLLER			
Size	Document Number		Rev
Custom	C:\ORCAD\DRAWING\VST-PST-CONT		1.0
Date:	Wednesday, January 09, 2002	Sheet	1 of 1