

註:


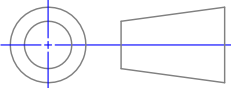
- 1. 材質: 50 番反銀龍商標紙
50u Polyester Silver Matt
- 2. 厚度: 0.06 mm
- 3. 跳距: 3.0 mm

Model No : Z-2065 S/N : 60T000000
 FCC ID: JNF-Z-2065S DC INPUT : 9V  2A
 Approved RLAN card may be installed
 This device complies with Part 15 of the FCC Rules.
 Operation is subject to the following two conditions.
 (1) this device may not cause harmful interference, and
 (2) this device must accept any interference received,
 including interference that may cause undesired operation

RoHs


CE0700  **FC**
 ZEBEX MADE IN TAIWAN

This document contains ZEBEX confidential trade secret information. This document is loaned for limited purposes only, and remains the property of company. It is to be returned upon request and in all events upon completion of the purpose of the loan. Neither it nor the information it contains may be reproduced, used or disclosed to persons not having a need-to-know consistent with the purpose of the loan, without written consent to ZEBEX.

 ZEBEX ZEBEX INDUSTRIES INC.						PART NO.	518-400000-191	DATE
						TITLE	LABEL	
Rev.	SIZE	UNITS	TOL.	SCALE	2:1	DESIGN	Lung	
01	A4	mm	±0.2			EXAMINE		
						APPROVED		

Label Location

