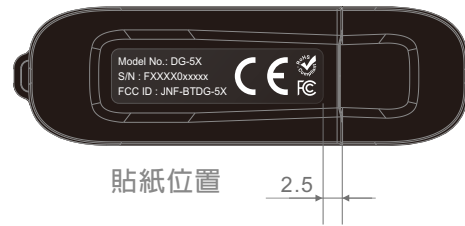


產品序號貼紙



產品示意圖



比例 1:1

尺寸: 28.0 x 7.2 (mm)  
 材質: 50番反銀龍+背膠  
 背景: 黑色 (Pantone Black C)  
 文字: 透出銀色文字  
 加上OPP上光膜

序號編碼原則

S/N : FXXXX0xxxxx

型號 : 固定不變(如上所示)

料號 : 隨實際出貨料號更改

F : 表年份(2014年為F , 2015為G...)

XXXX : 固定不變(型號及分類)

0 : 其它(0:廠內自製 1:一豐. 2:建祥. 3:嘉桂.


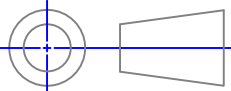
9: 非 USB on board. Z: 自組Sample.)

xxxxx : 流水號(從00001開始,流水號第一碼由小到大

依序為0~9;若不足使用 , 則續編A~Z,後四碼仍為0~9.)

注意:每一機器序號不可重覆

This document contains ZEBEX confidential trade secret information. This document is loaned for limited purposes only, and remains the property of company. It is to be returned upon request and in all events upon completion of the purpose of the loan. Neither it nor the information it contains may be reproduced, used or disclosed to persons not having a need-to-know consistent with the purpose of the loan, without written consent to ZEBEX.

 <b>ZEBEX</b> ZEBEX INDUSTRIES INC.						PART NO.	511-43250x-xxx	DATE
						TITLE	CE FCC Label / Z-3250 Dongle	
Rev.	SIZE	UNITS	TOL.	SCALE	2:1	DESIGN	Patty Wu	2014/10/27
01	A4	mm	±0.1			EXAMINE	Patty Wu	2014/10/27
						APPROVED	Patty Wu	2014/10/27

T141022D06



**Label Location**