

WHA YU INDUSTRIAL CO., LTD. (HEAD OFFICE)
 DONGGUAN AEON TECH CO.,LTD.(CHINA)
 TAI HWA ELECTRONIC CO., LTD.(CHINA)
 SHANGHAI HUA YU ELECTRONIC CO., LTD.(CHINA)
 SU ZHOU AEON TECH CO., LTD. (CHINA)

SPECIFICATION FOR APPROVAL

CUSTOMER: 巨豪實業股份有限公司

PART NAME: Z-319xBT Bluetooth ANTENNA

PART NO.: _____ **REVISION:** _____

W. Y. P/NO.: _____ **REV.:** A

	MANUFACTURER SIGNATURE	CUSTOMER SIGNATURE
APPROVED BY :		
DATE :		

WHA YU GROUP

WHA YU INDUSTRIAL CO., LTD.(HEAD OFFICE)

譚裕實業股份有限公司

Address: No. 326,Sec. 2,Kung Tao 5 Road, Hsin Chu Ciry, Taiwan, R.O.C.

Tel:+886-3-5714225(REP.) Fax:+ 886-3-5713853 · + 886-3-5723600

DONGGUAN AEON TECH CO.,LTD.(CHINA)

東莞台霖電子通訊有限公司

Address:Lakeside Industrial Park,Da Ling Shan Town,Dong Guan City,GuangDong,China

Tel: + 86-769-85655858 Fax: + 86-769-85655258

TAI HWA ELECTRONC FACTORY

台樺電業製品廠

Address: Pak Ho District, Hou Street Town, Dong Guan City, Guangdong, China

Tel: + 86-769-85599375 · + 86-769-85912375 Fax: + 86-769-85599376

HUA HONG INTERNATIONAL LTD.

華弘國際有限公司

Address:Rm.1103A,President Commercial Centre,608 Nathan Road,Mong Kok,Kowloon,Hong Kong

Tel: + 86-852-27712210 Fax: + 86-852-23843747

SHANGHAI HUA YU ELECTRONIC CO., LTD. (CHINA)

上海譚裕電子有限公司

Address:3586,Wai Qing Song Road, Qing Pu County, Shanghai China

Tel: + 86-21-59741348 · + 86-21-59744101~4 Fax: + 86-21-59741347

SU ZHOU AEON TECH CO., LTD. (CHINA)

蘇州華廣電通有限公司

Address:Limin North Road, LiLi Town,LiLi Industrial Park,LinHu Economic Zone

Wujiang City,Jiangsu Province,China

Tel: + 86-512-63627980 Fax: + 86-512-63627981

INDEX

<i>Item</i>	<i>Content</i>	
1.	天線規格表
2.	成品圖
3.	測試報告
4.	材質證明 & SGS報告

WIFI Antenna

1. Electrical Properties :

1.1 Frequency Range.....2.4~2.5GHz

1.2 Impedance..... 50Ω Nominal

1.3 VSWR..... ≤ 2.0

1.4 Peak Gain.....2.4~ 2.5GHz ≤ 2.0 dB

Average Gain.....2.4~2.5GHz ≥ -4.0 dB

1.5 Admitted Power.....1W

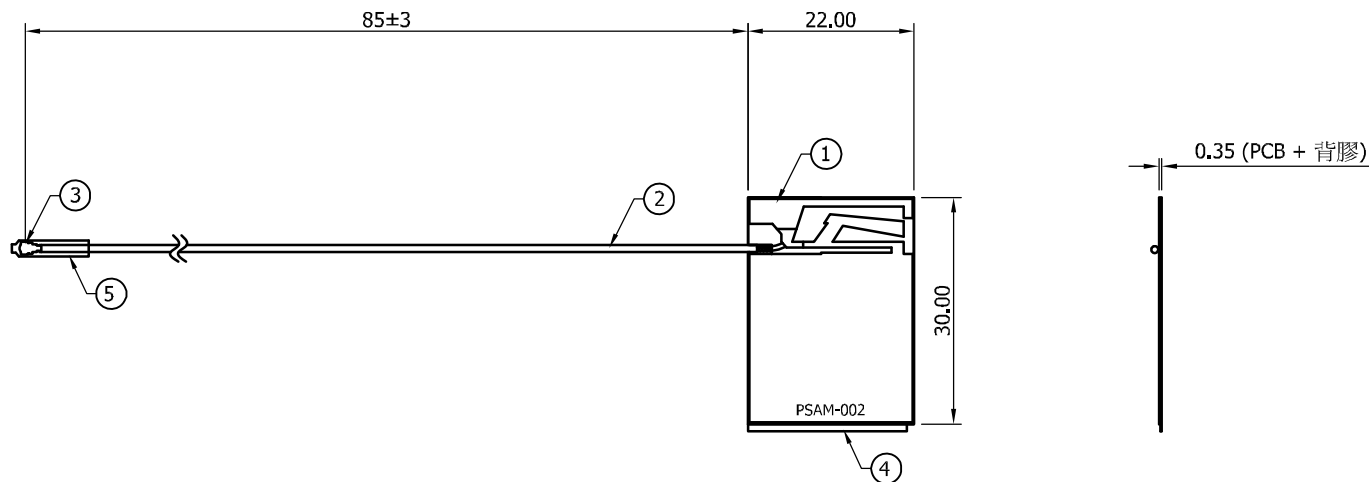
2. Physical Properties :

2.1 Operating Temp.....-10°C ~ +55°C

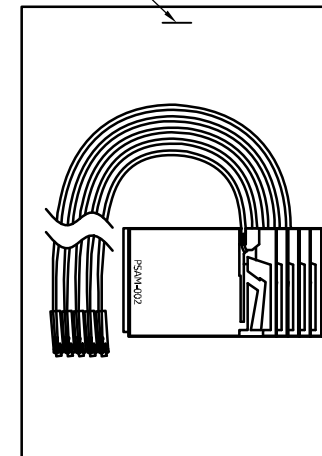
2.2 Storage Temp.....-30°C ~ +75°C

CG-4488

REV	DATE	DESCRIPTION
A	03/28-2012	New Issue Rev X1 -> A



釘書針



Packing : 5pcs/bag
每袋用訂書機訂起來
(以便客戶點收)

5	Tube	φ2.5*(L)20 mm	1	
4	背膠	(L)29 mm*(W)21 mm	1	
3	Connector	RF Connector φ1.13(mm)	1	
2	Coaxial Cable	φ1.13 mm;Color: Black	1	
1	PCB	(L)30*(W)22*(T)0.2 mm	1	
NO	DESCRIPTION		Q'TY	REMARK

NOTE:

1.產品需符合 RoHS & 歐盟無鹵規範要求

CUSTOMER'S SIGNATURE	XX.	±5.0	APPROVED	CUSTOMER: ZEBEX		
	X.	±3.0		PART NO : 162-24008R-570		
	.X	±1.0	CHECKED	PART NAME: 319xBT Bluetooth		
	.XX	±0.5		W.Y P/NO : C029-520021-A		
	.XXX	±0.1	DRAWING	REV	UNIT	FILE :
			A	mm	SHEET : 1/1	

M.gear Wha Yu Group

THIS DRAWING, AND ITS INHERANT DESIGN CONCEPTS, ARE THE PROPERTY OF WHA YU AND AS SUCH MAY NOT BE COPIED, REPRODUCED, OR GIVEN TO THIRD PARTIES WITHOUT THE WRITTEN CONSENT OF WHA YU.

ZEBEX Z-319xBT Bluetooth ANTENNA

R&D

Sherlock
20112.02.13

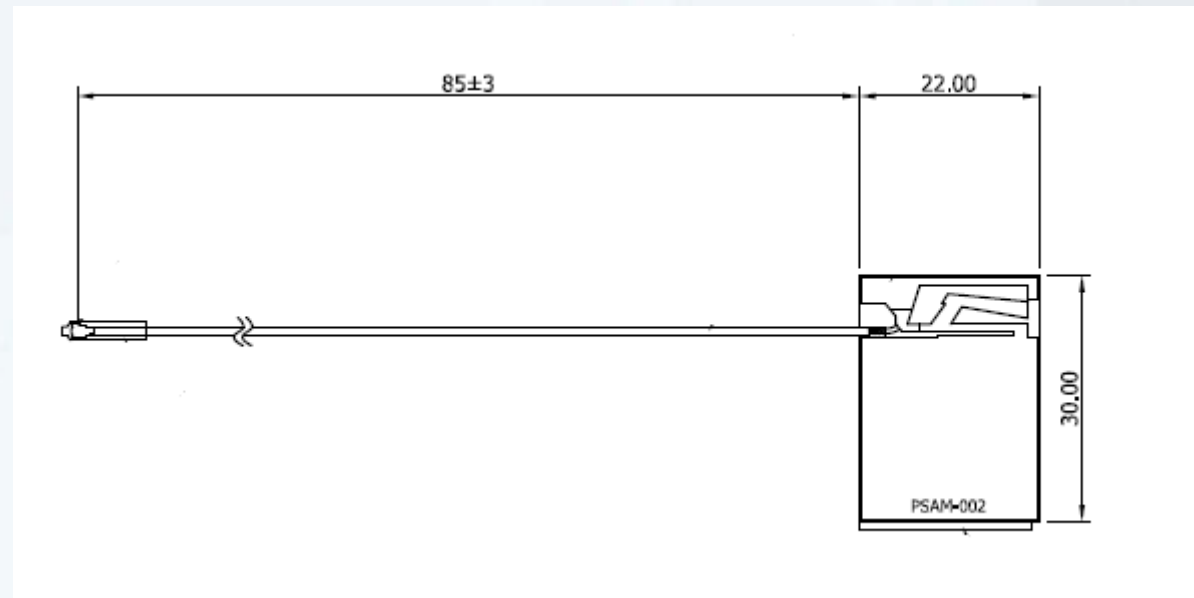


1. Index

● Index	
● Outline Drawing	P3
● Antenna Photo	P4
● Antenna Related Data	P5
● Antenna Testing Conditions	P6
● Test Result	P8

2. Outline Drawing

319BT WLAN ANTENNA

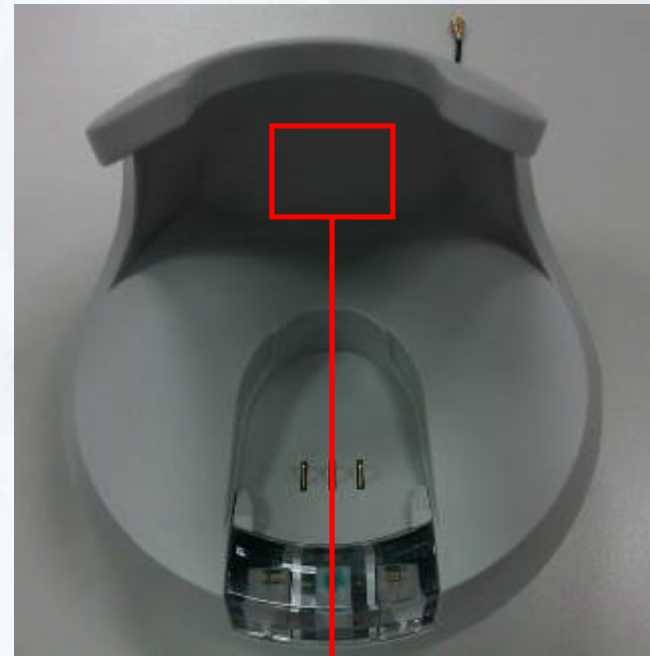


Antenna Photo

Pasted on agency behind



Pasted on agency front



Antenna Related Data

Frequency Range:

WLAN 2400~2500MHz

V.S.W.R.:

WLAN : ≤ 2.0

Polarization: Linear

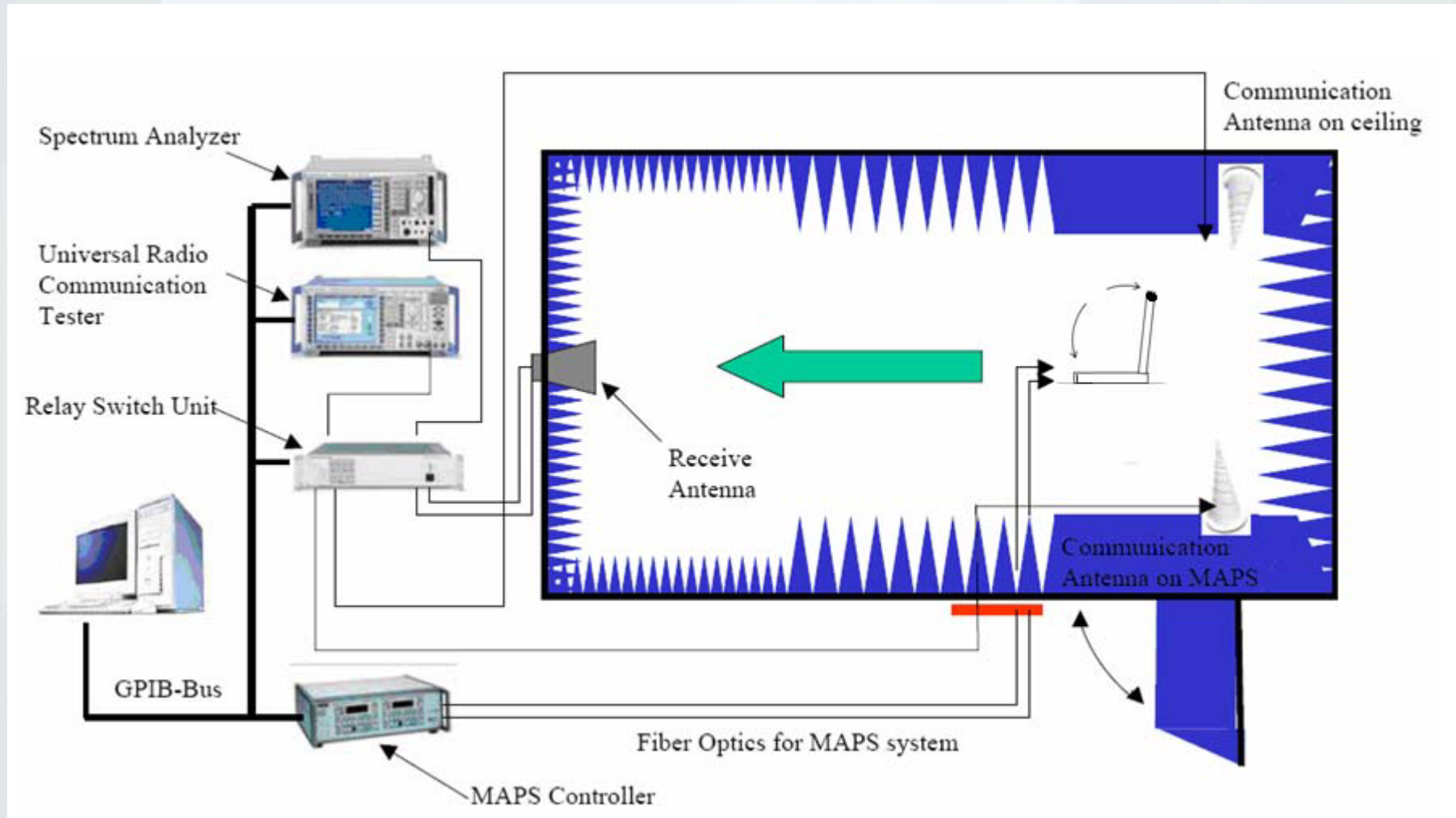
Impedance: 50Ω

Antenna type : PIFA for WLAN 802.11b/g/n application

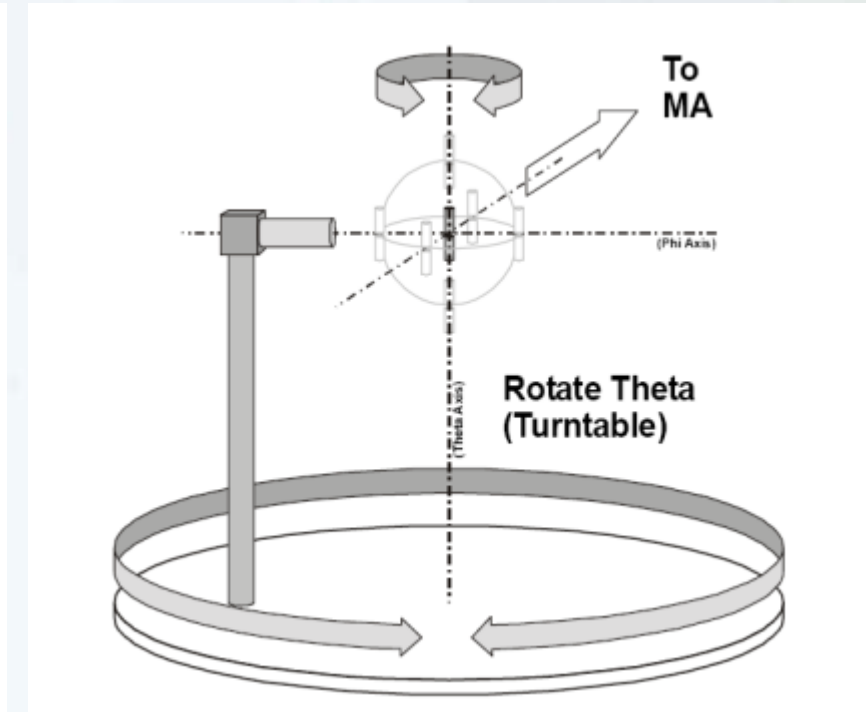
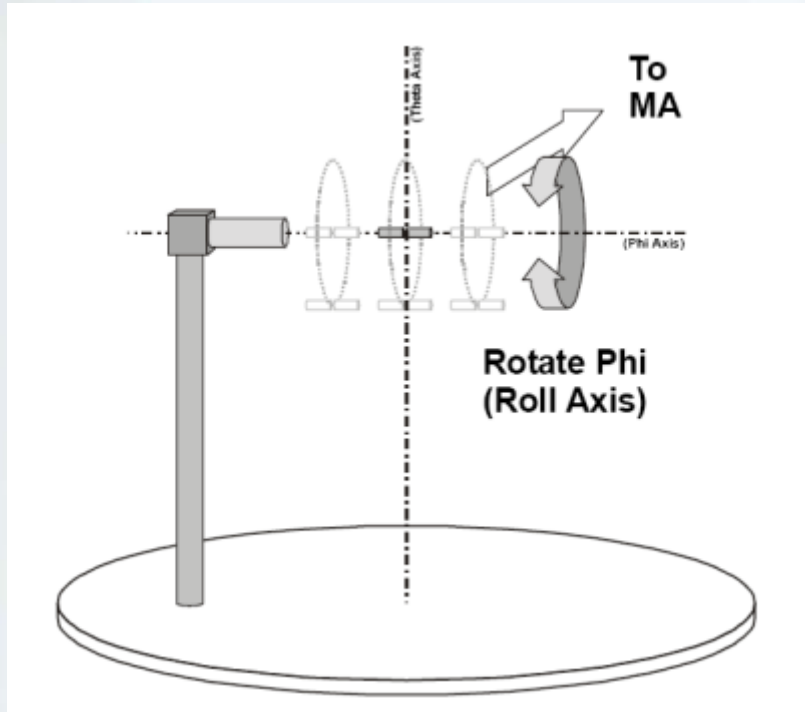
Connector Type: Technova/CON. Connector for 1.13 cable

Cable Type: OD 1.13 RF Cable

Antenna Testing Conditions Test Configuration



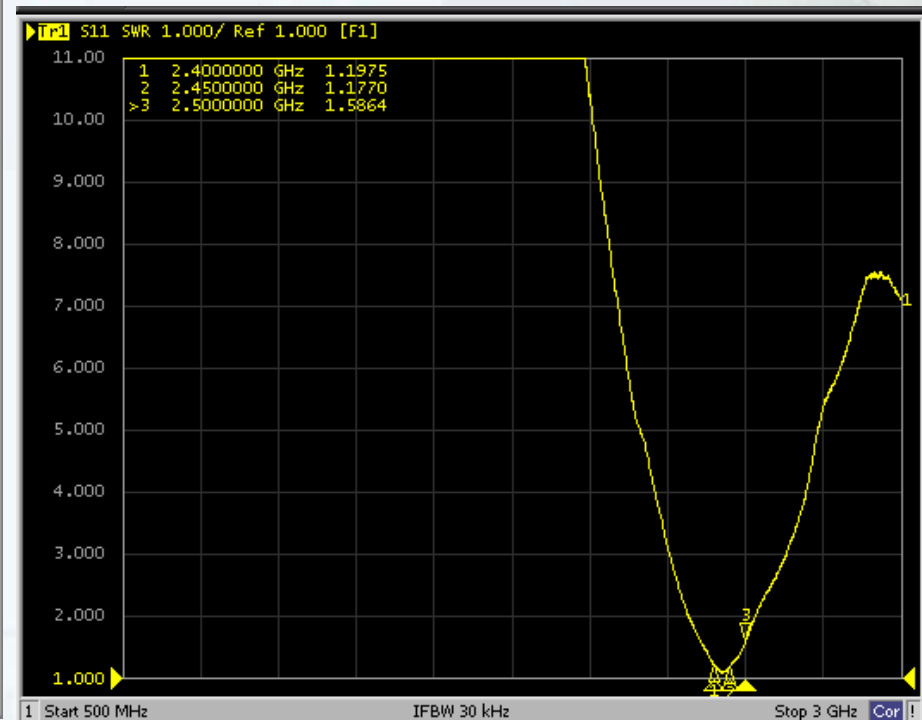
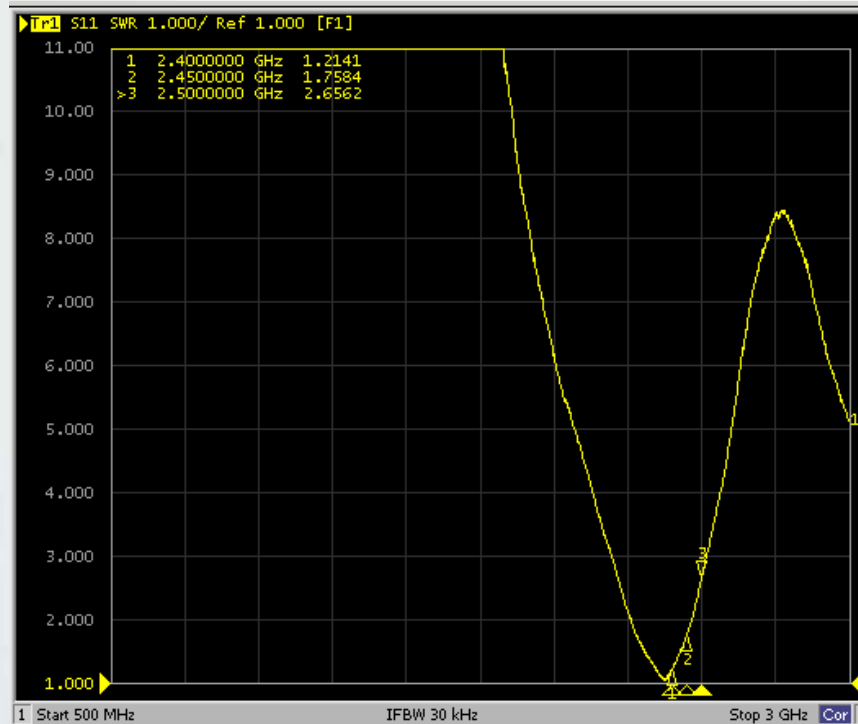
Antenna Testing Conditions Test Configuration



Test Result WLAN V.S.W.R

Frequency (MHz)	2450	2400	2500
Pasted on agency behind	1.21	1.75	2.65

Frequency (MHz)	2450	2400	2500
Pasted on agency front	1.19	1.17	1.58



Gain value (Testing by 3D anechoic chamber)

Pasted on agency behind

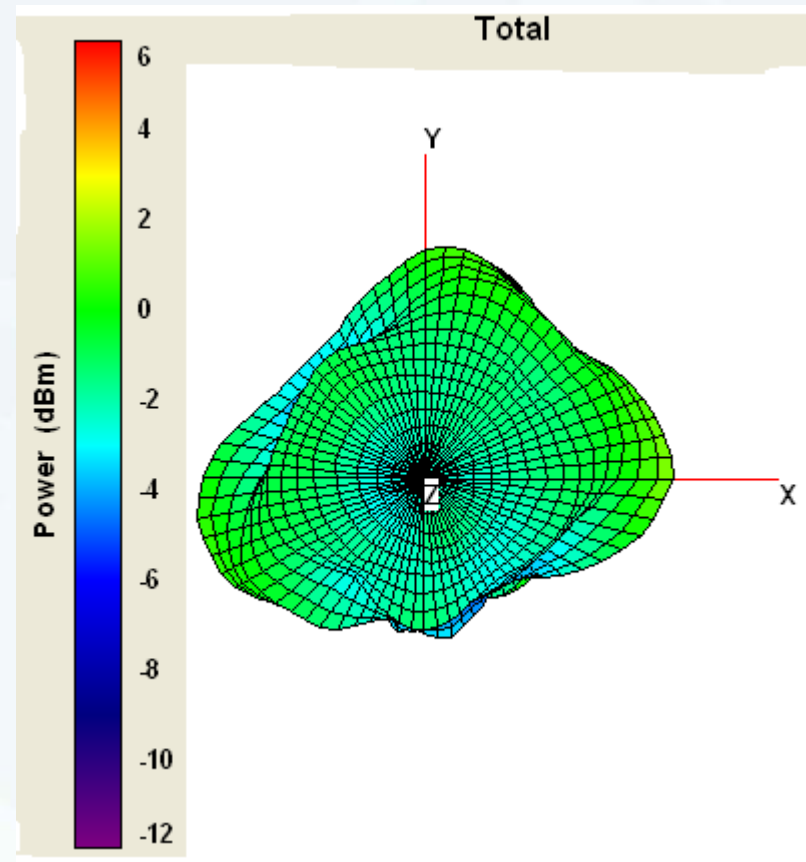
Frequency (MHz)	2400	2450	2500
AVG	-1.08	-1.77	-3.18
Efficiency (%)	77.94	66.48	47.99

Pasted on agency front

Frequency (MHz)	2400	2450	2500
AVG	-0.62	-0.85	-1.60
Efficiency (%)	86.57	82.04	69.11

3D radiation pattern

Pasted on agency behind



3D radiation pattern

Pasted on agency front

