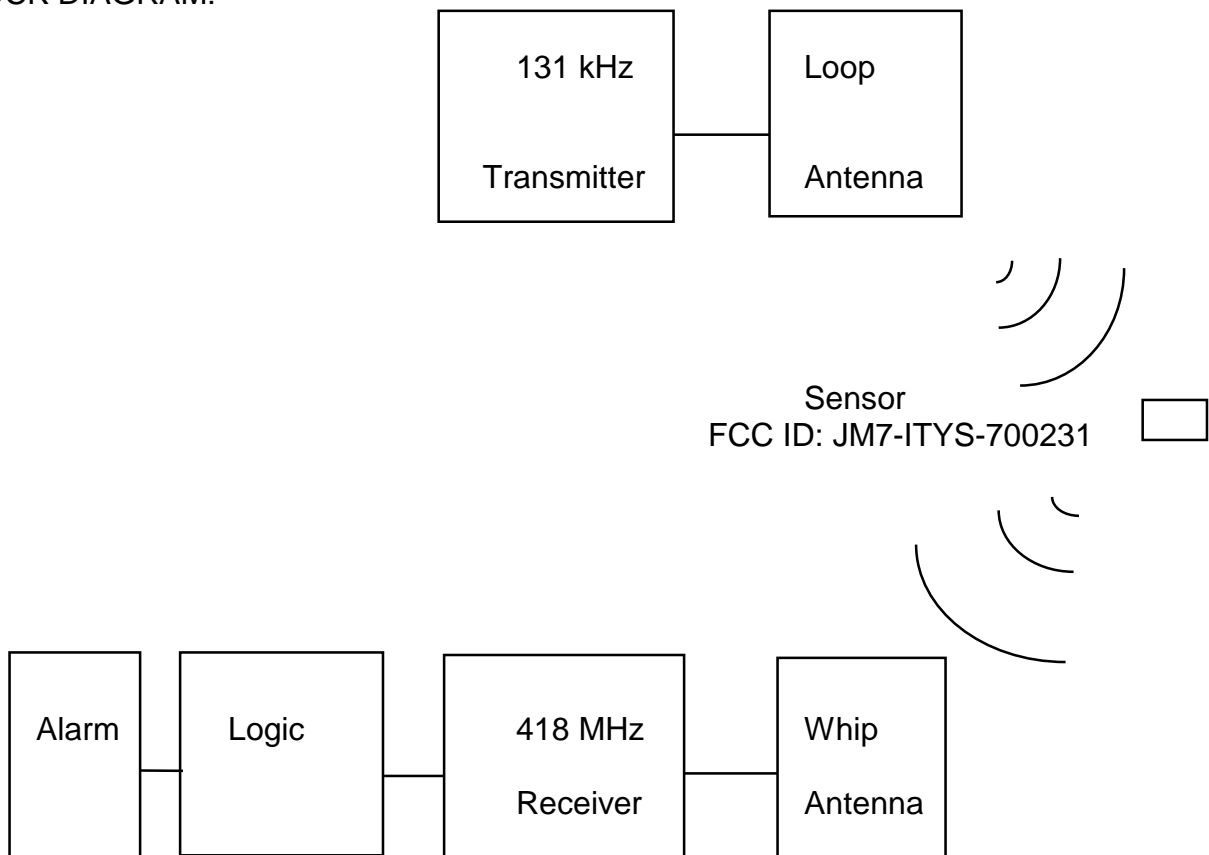


INNOVATIVE CONTROL SYSTEMS, Inc.

PRODUCT OPERATIONAL DESCRIPTION:

The submitted product is a special alarm unit whose purpose is to protect persons afflicted with dementia or Alzheimer's disease (herein referred to as 'patients') from harm or danger, should such patients attempt to leave the home or care facility in which they are living or staying. An electronic sensor (FCC ID: JM7-ITYS-700231) is placed on the patient's wrist or ankle. If the patient approaches a protected door or hallway, a 132 kHz signal from the submitted product will cause the sensor to activate and send a 418 Mhz response signal back to the submitted product. If the unit is protecting a hallway, or a door which happens to be open, an audible alarm will be generated to notify caregivers of the attempted egress. Persons not wearing sensors may come and go freely without initiating an alarm.

BLOCK DIAGRAM:



INNOVATIVE CONTROL SYSTEMS, Inc.

USER'S MANUAL

The following statement will be included in the User's manual:

(PRELIMINARY)

This device complies with Part 15 of the FCC Rules.

Operation is subject to the following two conditions:

- (1) This device may not cause harmful interference, and
- (2) This device must accept any interference received, including interference that may cause undesired operation.

WARNING:

Changes or modifications not expressly approved by the party responsible for compliance could void the user's authority to operate the equipment.