

CURRENT @6V:  
 40mA ON POWER UP  
 28mA IF RX PDI @ MIN  
 19mA IF TAG DETECTED  
 18mA QUIESCENT

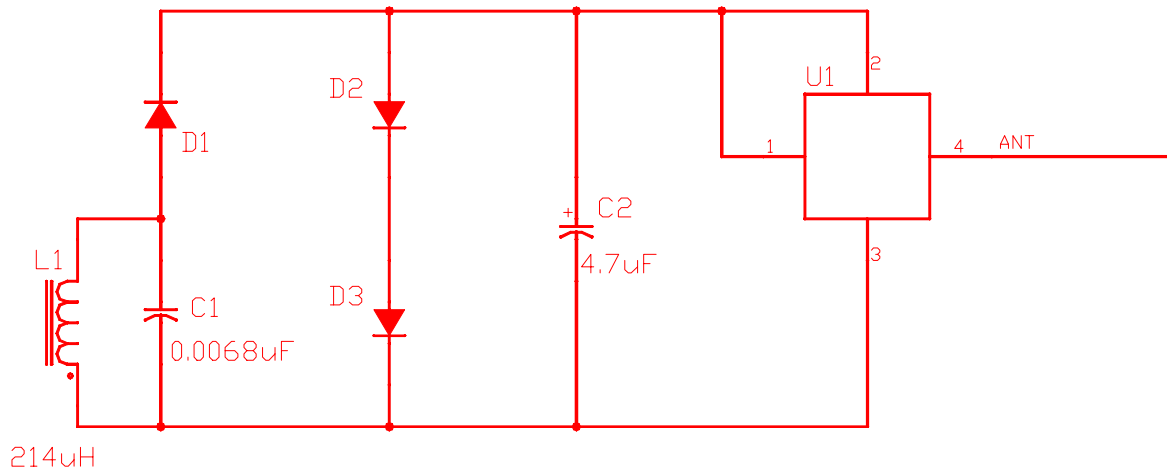
\* THIS PART IS NOT STUFFED,  
 (UNLESS BUILDING THE PULSED VERSION)

ALL DIODES IN4148 UNLESS OTHERWISE NOTED

Title			ACCUTECH LC SYSTEM		
Size	Number	160098		Rev	A
Date	MARCH 26, 1999		Drawn by JFS/MJK		
Filename	160098A.S01		Sheet 1 of 1		

Fri Mar 26 1999 13:12:04

NOTE: ALL DIODES 1N4148 UNLESS NOTED.



Tue Mar 30 1999 15:02:20

Title		RF Door Switch	
Size	Number	Rev	
A	160099	0	
Date	MARCH 30, 1999	Drawn by	MJK
Filename	160099.S01	Sheet 1	of 1