

Date: 03-11-99

Time: 12:50 PM

To: FCC Authorization & Evaluation Division  
7435 Oakland Mills Road  
Columbia, MD 21045-0429

From: Terry L. White  
President

Phone: 414-785-0645  
Fax: 414-785-1415

Applicant: Innovative Control Systems

E-mail: accutech@execpc.com

---

Dear Ladies and/or Gentlemen:

I appoint Kenneth L. Boston and James Blaha at LS Compliance, Inc., to act as an agent in the preparation under Part 15 of the Rules and Regulations of the Federal Communications Commission. I certify that the exhibitions properly describe the device being submitted under this application and will implement any changes described in the test report. The labels described will be affixed to each item.

The following statement is required by the Federal Communications Commission: By checking Yes, the applicant certifies that, in the case of an individual applicant, he or she is not subject to a denial of federal benefits, that included FCC benefits, pursuant to section 5301 of the Anti-Drug Abuse Act of 1988, 21 U.S.C. 853(a), or, in the case of a non-individual applicant (e.g. corporation, partnership or other unincorporated association), no party to this application is subject to a denial of federal benefits, that includes FCC benefits, pursuant to that section.

YES

NO

Dated this 11 day of March, 1999

Agency of agreement expiration date (if any):

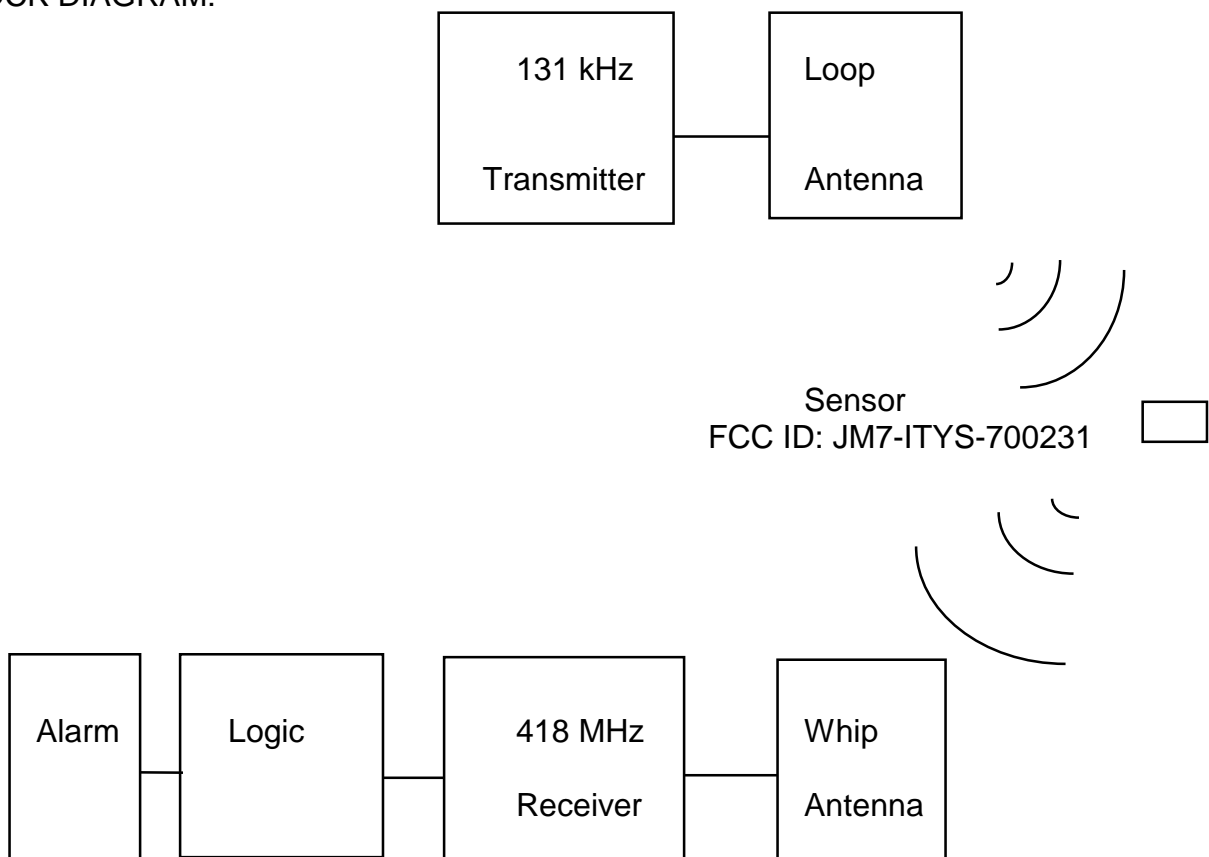
By: Terry L. White  
Title: President/ Innovative Control Systems

Phone 414-785-0645

## PRODUCT OPERATIONAL DESCRIPTION:

The submitted product is a special alarm unit whose purpose is to protect persons afflicted with dementia or Alzheimer's disease (herein referred to as 'patients') from harm or danger, should such patients attempt to leave the home or care facility in which they are living or staying. An electronic sensor (FCC ID: JM7-ITYS-700231) is placed on the patient's wrist or ankle. If the patient approaches a protected door or hallway, a 132 kHz signal from the submitted product will cause the sensor to activate and send a 418 Mhz response signal back to the submitted product. If the unit is protecting a hallway, or a door which happens to be open, an audible alarm will be generated to notify caregivers of the attempted egress. Persons not wearing sensors may come and go freely without initiating an alarm.

## BLOCK DIAGRAM:



## USER'S MANUAL

The following statement will be included in the User's manual:

(PRELIMINARY)

This device complies with Part 15 of the FCC Rules.

Operation is subject to the following two conditions:

- (1) This device may not cause harmful interference, and
- (2) This device must accept any interference received, including interference that may cause undesired operation.

### WARNING:

Changes or modifications not expressly approved by the party responsible for compliance could void the user's authority to operate the equipment.