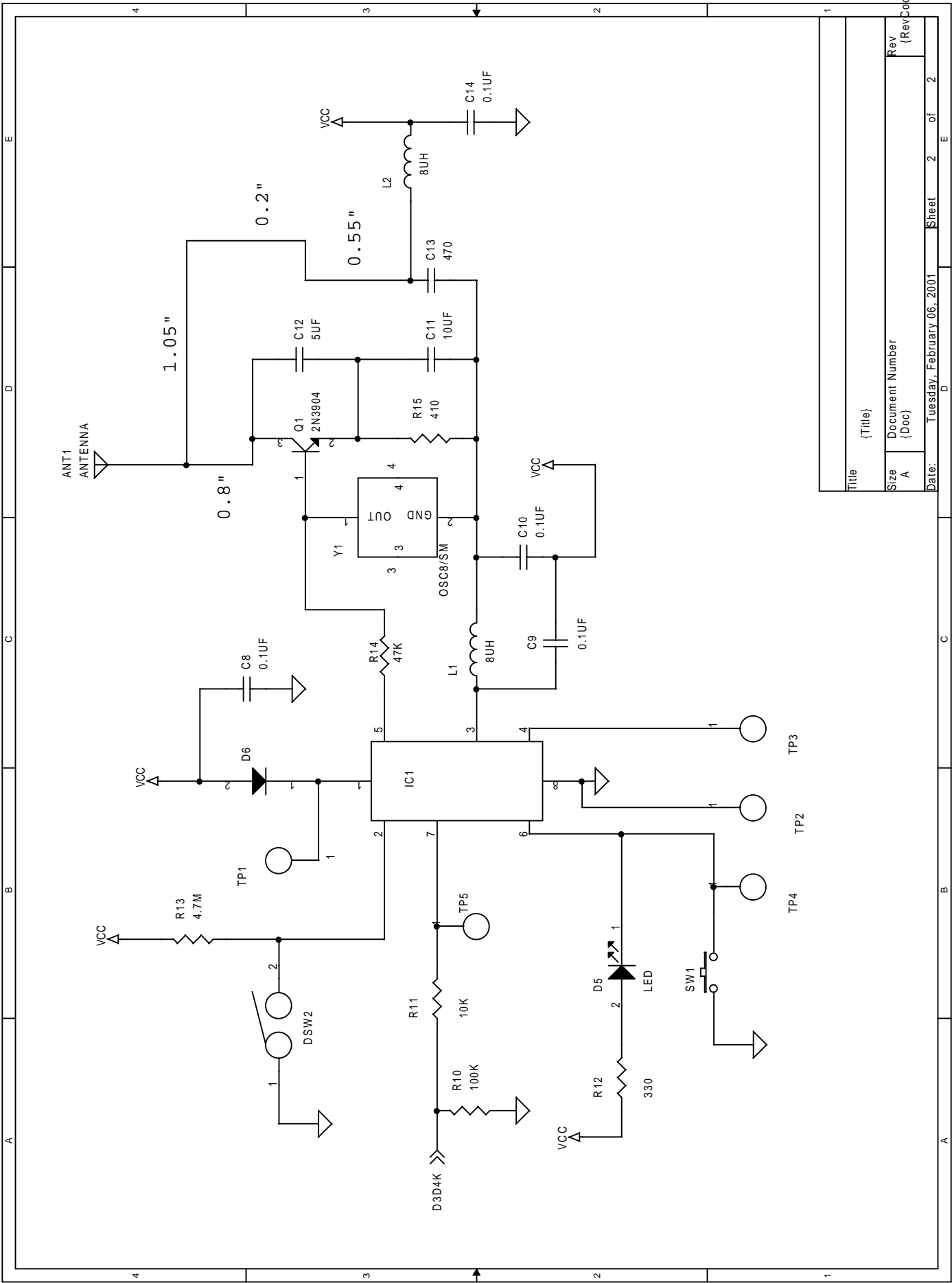


INTERNATIONAL ELECTRONICS	
Title	FCCID JLFPIR PIR-2
Size	A
Document Number (Doc)	Rev A
Date: Tuesday, February 06, 2001	Sheet 1 of 2



Title		(Title)	
Size	A	Document Number	(Rev/Doc)
Date:	Tuesday, February 06, 2001	Sheet	2 of 2