
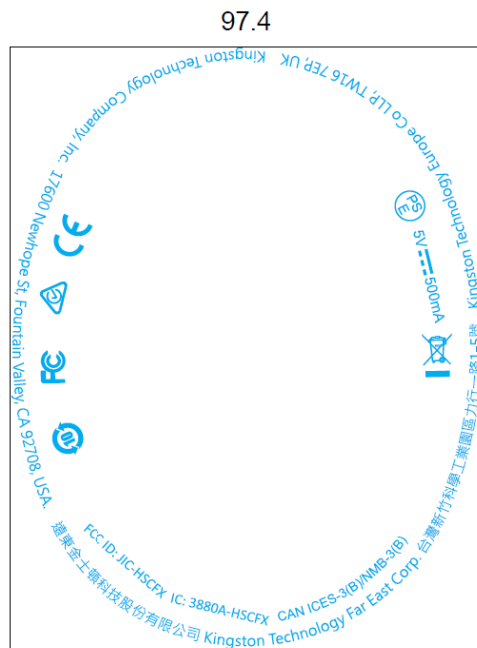


23
 48

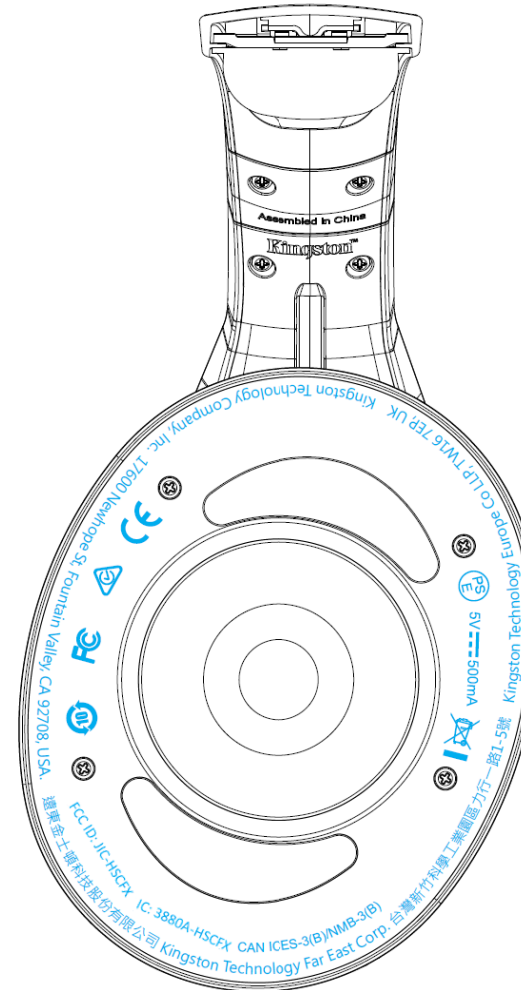
Proceed : Concave on Mold
 Surface: Glossy



MODEL / Doc #	DRAWING NAME / No.	UNIT	Version: 001	Date: 11/15/2018	DESIGNER
CloudX Flight	L speaker plate	mm	- Initial release		Fay Ho



76.2



Proceed : Concave on Mold
Surface: Glossy



MODEL / Doc #	DRAWING NAME / No.	UNIT	Version: 002	Date: 11/15/2018	DESIGNER
CloudX Flight	R speaker plate	mm	- Remove NCC		Fay Ho