


Installation

Grounding

⚠ WARNING

Fire, Explosion, and Electric Shock Hazard

Ungrounded objects in the dispense area (repeater or wall buster) can result in static sparking, which can cause a fire, explosion, or electric shock. Follow the grounding instructions below.



Plug the PC Receiver into a 110 VAC grounded outlet and into the power outlet of the repeater or wall buster (A). See Fig. 1.

Note: if an extension cord is necessary it should be no longer than XX ft. and be a certified grounded cord.

Installation

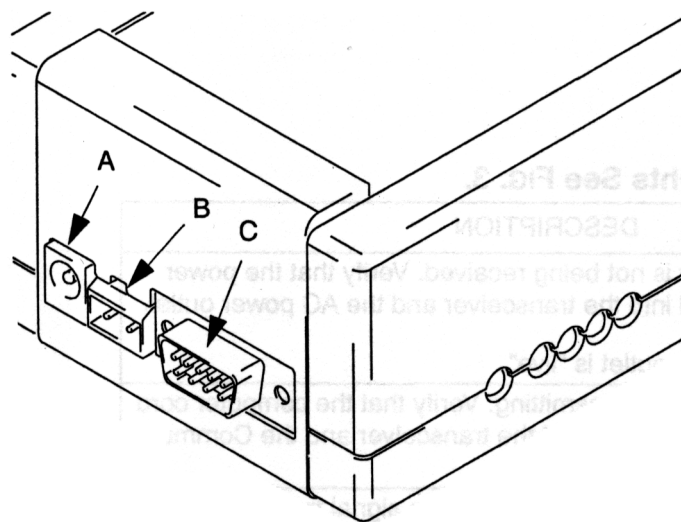


FIG. 1

1. Position the Matrix transceiver within X feet of the computer being used to run the Matrix software.

2. Plug the power cord into the transceiver power inlet (A) and into a grounded 120V AC power source. The green power light (D) will illuminate indicating the transceiver is on. See Fig. 1.

Connecting the PC to the Transceiver.

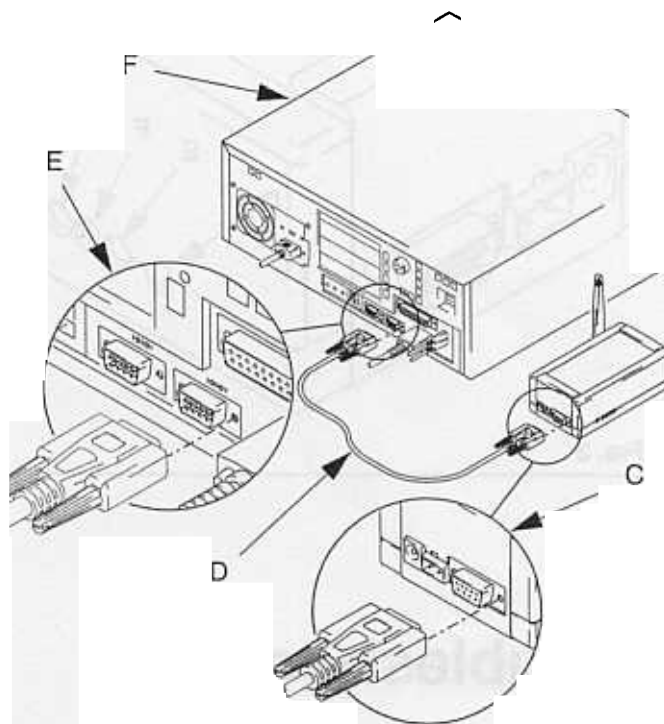


FIG. 2

1. Plug the PC (D) cord into an open communications port (E) of the PC (F) running the Matrix software. See Fig. 2.
2. Insert the transceiver end of the cord (D) from the PC into the PC transceiver plug (C). See Fig. 1 and Fig. 2.

NOTE: if necessary the wall buster port (B) of the transceiver can be wired to a corresponding transceiver or repeater.

Operation

Once the transceiver has been installed and verified from the operating lights that it is functioning correctly, no additional involvement is necessary.

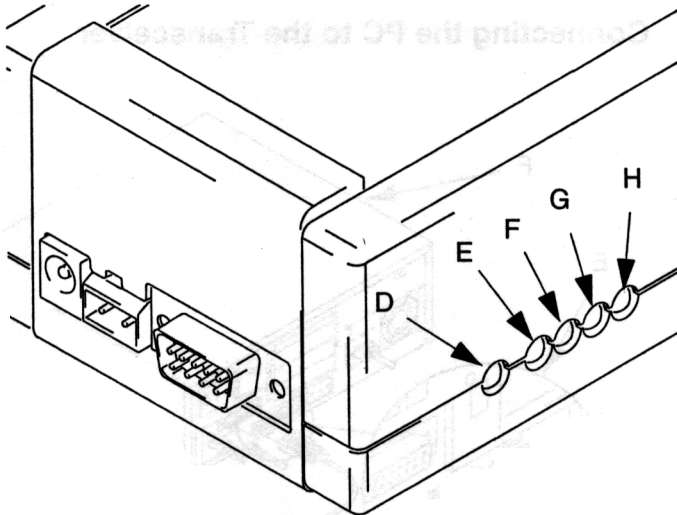


FIG. 3

Function Indicator Lights See FIG. 3.

Appearance	Description
Green light (D)	When lit indicates the unit is receiving AC power.
White light (E)	Flashing light indicates transmission from the PC.
White light (F)	Flashing light indicates transmission to the PC.
White light (G)	Flashing light indicates transmission from the meter.
White light (H)	Flashing light indicates transmission to the meter.

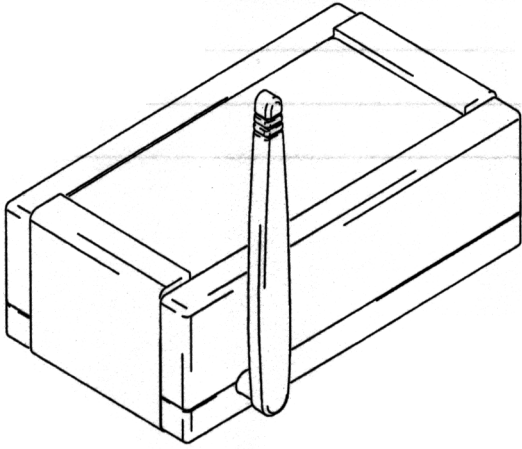
Troubleshooting

Function Indicator Lights See FIG. 3.

APPEARANCE	DESCRIPTION
No power light (D)	Indicates that AC power is not being received. Verify that the power cord is securely plugged into the transceiver and the AC power outlet. Verify that the AC power outlet is "live".
No light (E) when operating	Indicates that the PC is not transmitting. Verify that the computer cord is securely plugged into the back of the transceiver and the Communications port of the PC.
No light (F) when operating	Indicates that the transceiver is not receiving a signal from a repeater or wall buster unit. Verify that the transmitting unit has power and the flashing light indicates that the unit is transmitting to the PC transceiver.
No light (G) when operating	Indicates no transmission is being received from the RM5 Meter. Verify that the meter has power and is functioning correctly.
No light (H) when operating	Indicates that the PC is not transmitting to the RM5 meter. Verify that the computer cord is securely plugged into the back of the transceiver and the Communications port of the PC.

Parts

Part No. 117267 Matrix PC Receiver



r

Ref. No	Part No.	Description	Qty.
1		Matrix PC Transceiver	1
2		Computer Cord	1
3		AC Power Cord	1

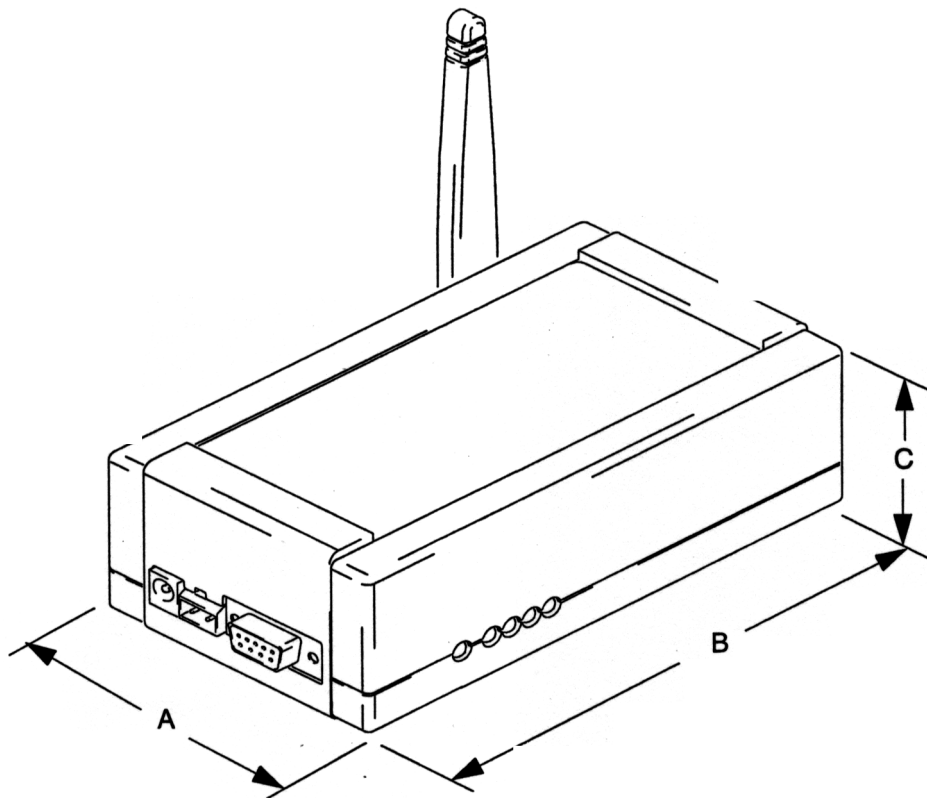
Technical Data

Dimensions

A .375 in. (95 mm)

B 14.0 in. (356 mm)

C 3.10 in. (79 mm)



Graco Standard Warranty

Graco warrants all equipment manufactured by Graco and bearing its name to be free from defects in material and workmanship on the date of sale by an authorized Graco distributor to the original purchaser for use. With the exception of any special, extended, or limited warranty published by Graco, Graco will, for a period of twelve months or two thousand hours of operation from the date of sale, repair or replace any part of the equipment determined by Graco to be defective. However, any deficiency in the gun barrel, gun body, manifold, mounting bracket, internal power supply, and alternator (excluding turbine bearings) will be repaired or replaced for thirty-six months or six thousand hours of operation from the date of sale. This warranty applies only when the equipment is installed, operated and maintained in accordance with Graco's written recommendations.

This warranty does not cover, and Graco shall not be liable for general wear and tear, or any malfunction, damage or wear caused by faulty installation, misapplication, abrasion, corrosion, inadequate or improper maintenance, negligence, accident, tampering, or substitution of non-Graco component parts. Nor shall Graco be liable for malfunction, damage or wear caused by the incompatibility of Graco equipment with structures, accessories, equipment or materials not supplied by Graco, or the improper design, manufacture, installation, operation or maintenance of structures, accessories, equipment or materials not supplied by Graco.

This warranty is conditioned upon the prepaid return of the equipment claimed to be defective to an authorized Graco distributor for verification of the claimed defect. If the claimed defect is verified, Graco will repair or replace free of charge any defective parts. The equipment will be returned to the original purchaser transportation prepaid. If inspection of the equipment does not disclose any defect in material or workmanship, repairs will be made at a reasonable charge, which charges may include the costs of parts, labor, and transportation.

THIS WARRANTY IS EXCLUSIVE, AND IS IN LIEU OF ANY OTHER WARRANTIES, EXPRESS OR IMPLIED, INCLUDING BUT NOT LIMITED TO WARRANTY OF MERCHANTABILITY OR WARRANTY OF FITNESS FOR A PARTICULAR PURPOSE.

Graco's sole obligation and buyer's sole remedy for any breach of warranty shall be as set forth above. The buyer agrees that no other remedy (including, but not limited to, incidental or consequential damages for lost profits, lost sales, injury to person or property, or any other incidental or consequential loss) shall be available. Any action for breach of warranty must be brought within two (2) years of the date of sale.

Graco makes no warranty, and disclaims all implied warranties of merchantability and fitness for a particular purpose in connection with accessories, equipment, materials or components sold but not manufactured by Graco. These items sold, but not manufactured by Graco (such as electric motors, switches, hose, etc.), are subject to the warranty, if any, of their manufacturer. Graco will provide purchaser with reasonable assistance in making any claim for breach of these warranties.

In no event will Graco be liable for indirect, incidental, special or consequential damages resulting from Graco supplying equipment hereunder, or the furnishing, performance, or use of any products or other goods sold hereto, whether due to a breach of contract, breach of warranty, the negligence of Graco, or otherwise.

FOR GRACO CANADA CUSTOMERS

The parties acknowledge that they have required that the present document, as well as all documents, notices and legal proceedings entered into, given or instituted pursuant hereto or relating directly or indirectly hereto, be drawn up in English. Les parties reconnaissent avoir convenu que la rédaction du présente document sera en Anglais, ainsi que tous documents, avis et procédures judiciaires exécutés, donnés ou intentés à la suite de ou en rapport, directement ou indirectement, avec les procédures concernées.

Graco Phone Numbers

TO PLACE AN ORDER, contact your Graco distributor, or call this number to identify the distributor closest to you:

1-800-367-4023 Toll Free

612-623-6921

612-378-3505 Fax

All written and visual data contained in this document reflects the latest product information available at the time of publication.

Graco reserves the right to make changes at any time without notice.

Sales Offices: Minneapolis, Detroit

International Offices: Belgium Korea, Hong Kong, Japan

GRACO INC. P.O. BOX 1441 MINNEAPOLIS, MN 55440-1441

www.graco.com

Printed in USA 309498A