

## Instruction Manual

# PC Transceiver

309498A

**Part No. 117267, Series A**

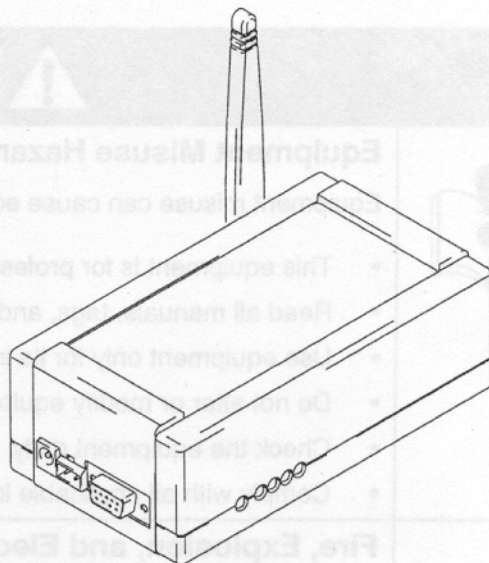


**Read Warnings and Instructions**

INSTRUCTIONS

For use with Matrix Total Fluid  
Management Components.

U.S. Patent Pending



## Contents

<b>Symbols</b> .....	<b>3</b>
Warning Symbol .....	3
Caution Symbol .....	3
<b>Warnings</b> .....	<b>3</b>
<b>Introduction</b> .....	<b>4</b>
<b>Installation</b> .....	<b>4</b>
<b>Installation</b> .....	<b>5</b>
Grounding .....	5
Installation .....	5
<b>Operation</b> .....	<b>6</b>
<b>Troubleshooting</b> .....	<b>7</b>
Troubleshooting .....	7
<b>Maintenance</b> .....	<b>7</b>
<b>TParts</b> .....	<b>8</b>
<b>Technical Data</b> .....	<b>9</b>
<b>Dimensions</b> .....	<b>10</b>
<b>Graco Standard Warranty</b> .....	<b>11</b>
<b>Graco Phone Numbers</b> .....	<b>11</b>

PROVEN QUALITY. LEADING TECHNOLOGY.

# Symbols

## Warning Symbol






This symbol alerts you to the possibility of serious injury or death if you do not follow the instructions.

## Caution Symbol



This symbol alerts you to the possibility of damage to or destruction of equipment if you do not follow the instructions.

 <b>WARNING</b>	
	<p><b>Equipment Misuse Hazard</b></p> <p>Equipment misuse can cause equipment to rupture or malfunction and result in serious injury.</p> <ul style="list-style-type: none"> <li>• This equipment is for professional use only.</li> <li>• Read all manuals, tags, and labels before operating the equipment.</li> <li>• Use equipment only for its intended purpose. If you are uncertain, call your Graco distributor.</li> <li>• Do not alter or modify equipment. Use only genuine Graco parts and accessories.</li> <li>• Check the equipment daily. Repair or replace worn or damaged parts immediately.</li> <li>• Comply with all applicable local, state, and national fire, electrical, and safety regulations.</li> </ul>
	<p><b>Fire, Explosion, and Electric Shock Hazard</b></p> <p>Improper grounding, poor air ventilation, open flames, or sparks can cause a hazardous condition and result in a fire or explosion.</p> <ul style="list-style-type: none"> <li>• Poor ventilation, open flames, or sparks can cause a hazardous condition and result in a fire or explosion and serious injury.</li> <li>• If there is any static sparking or you feel an electric shock while using this equipment, stop dispensing immediately. Do not use the equipment until you identify and correct the problem.</li> <li>• Provide fresh air ventilation to avoid the buildup of flammable fumes from solvents or the fluid being dispensed.</li> <li>• Keep the dispensing area free of debris, including solvent, rags, and spilled gasoline.</li> <li>• Do not smoke while dispensing flammable fluids.</li> <li>• You must use the battery type provided with the Matrix Fluid Management System. Use of any other batteries than those specified could affect the safety of this unit.</li> <li>• Only replace the battery in a non-hazardous location, away from flammable fluids or fumes.</li> <li>• To reduce the risk of a fire, explosion, electric shock, and serious burns to the body, handle and dispose of a used battery properly.</li> <li>• Do not short circuit, charge, force over discharge, disassemble, crush, penetrate, incinerate, or heat the battery to a temperature exceeding 185° F (85° C).</li> <li>• Any misuse or abuse of the battery may cause it to leak or explode.</li> </ul>