

Troubleshooting

Relieve the pressure before you check or repair the meter. Be sure all other valves and controls and the pump are operating properly.


WARNING

To reduce the risk of serious injury whenever you are instructed to relieve pressure, always follow the Pressure Relief Procedure on page 6.

Problem	Cause	Solution
Battery icon is displayed.	Battery is low.	Replace battery with one that is recharged.
Display does not activate.	Battery is defective or dead. Electronic display is malfunctioning.	Replace battery with one that is recharged. Replace with Electronic Display Kit. See page 16.
Slow or no fluid flow	Filter is clogged. Pump pressure is low. Shut-off valve is not fully open. Foreign material is jammed in the meter housing.	Clean or replace filter. See Replacing the Filter on page 15 Turn up pump pressure. Fully open shut-off valve. Contact your Graco distributor for repair or replacement.
Displayed dispensed amount is not accurate.	Defective Meter	Contact your Graco distributor for repair or replacement.
Meter leaks from: Cover/Control	Poor swivel (3) or hose connection. Poor swivel (3) or meter housing connection.	Apply Teflon tape (leave minimum 2 engaged threads uncovered for electrical continuity) or sealant to threads of hose and tighten the connection. See Installation Procedure . Torque the fitting to 20-25 ft.lb. Contact your Graco distributor for repairs or replacement.
Meter leaks from: Quick-lock nozzle NOTE: It is important to distinguish between the two causes of this problem. A new nozzle will not correct a fluid leak caused by a faulty valve.	Quick-lock nozzle (2c, 4a, or 5a) has a damaged seal. Valve (10) has damaged or obstructed seals.	Replace the nozzle. See Replacing the Quick-lock Nozzle . Replace valve.

<p>Meter leaks from: Swivel</p>	<p>Poor swivel (3) or hose connection.</p> <p>Poor swivel (3) or meter housing connection.</p>	<p>Apply Teflon tape (leave minimum 2 engaged threads uncovered for electrical continuity) or sealant to threads of hose and tighten the connection. See step 9 in Installation Procedure.</p> <p>Torque the fitting to 20-25 ft.lb.</p>
<p>Meter leaks from: Cover/Control</p>	<p>Poor swivel (3) or hose connection.</p> <p>Poor swivel (3) or meter housing connection.</p>	<p>Apply Teflon tape (leave minimum 2 engaged threads uncovered for electrical continuity) or sealant to threads of hose and tighten the connection.</p> <p>Torque the fitting to 20-25 ft.lb.</p> <p>Contact your Graco distributor for repairs or replacement.</p>
<p>Meter leaks from: Quick-lock nozzle</p> <p>NOTE: A new nozzle will not correct a fluid leak caused by a faulty valve.</p>	<p>Quick-lock nozzle (2c, 4a, or 5a) has a damaged seal.</p> <p>Valve (10) has damaged or obstructed seals.</p>	<p>Replace the nozzle. See Replacing the Quick-lock Nozzle.</p> <p>Replace valve.</p>
<p>Meter leaks from: Swivel</p>	<p>Poor swivel (3) or hose connection.</p> <p>Poor swivel (3) or meter housing connection.</p>	<p>Apply Teflon tape (leave minimum 2 engaged threads uncovered for electrical continuity) or sealant to threads of hose and tighten the connection. See step 9 in Installation Procedure.</p> <p>Torque the fitting to 20-25 ft.lb.</p>

Service

⚠ WARNING

To reduce the risk of serious injury whenever you are instructed to relieve pressure, always follow the Pressure Relief Procedure on page 6.

⚠ CAUTION

Before you begin a preset dispense cycle, make sure **PRESET** is displayed. If **PRESET** is not displayed, you are not in the Preset dispense mode, and fluid flow will not stop when the preset amount is dispensed.

The low-battery and dead-battery displays are explained in the **Troubleshooting** chart on page 13.

To change the battery see **Removing and Replacing the Battery** on page 12.

Replacing the Filter

The filter (9) is replaceable. To replace the filter, do the following:

- 1 Relieve the pressure.

⚠ WARNING

To reduce the risk of serious injury whenever you are instructed to relieve pressure, always follow the Pressure Relief Procedure on page 6.

2. Unscrew the hose from the swivel (3). See FIG. 3.
3. Remove the o-ring (6), and remove the old filter (9) from its seat in the swivel (3) with an o-ring pick.
4. Push the new filter (9) into the swivel (3), and make sure it is properly seated. Replace the o-ring (6).

NOTE: Orient the new filter (9) so the concave side of the screen points downstream, as shown below

5. Screw the hose back into the swivel (3).

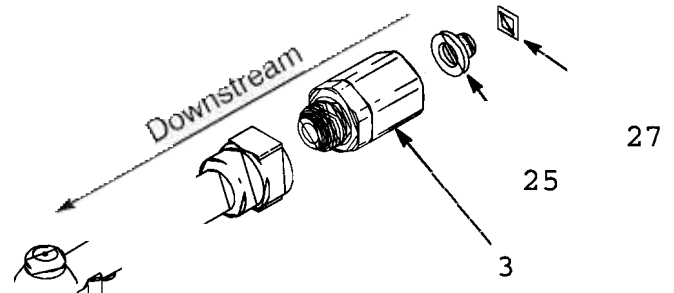


FIG. 1

Replacing the Quick-lock™ Nozzle

The quick-lock nozzle (2c, 4a, or 5a) is not serviceable. See **Parts lists for the 246008 Electronic Meter** on page 16. If the nozzle leaks, replace it as follows:

- 1 Relieve the pressure.

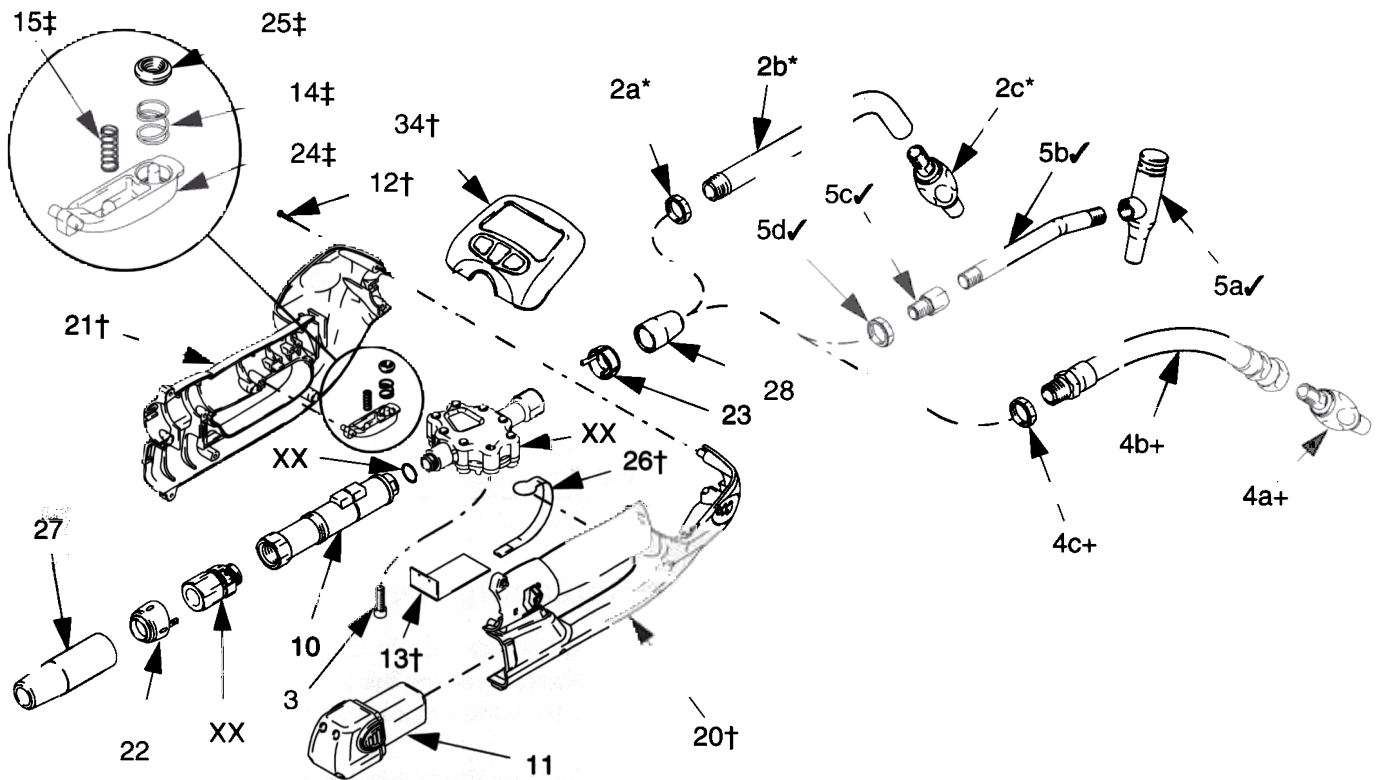
⚠ WARNING

To reduce the risk of serious injury whenever you are instructed to relieve pressure, always follow the Pressure Relief Procedure on page 6.

2. Remove the old nozzle from the extension with an open-end adjustable wrench on the flats of the nozzle bushing.
3. Thread the new nozzle (2c, 4a, 5a) onto the extension and tighten it firmly with an open-end adjustable wrench.

Note: Only tighten the nozzle with the wrench on the flats of the nozzle bushing. Do not disassemble the bushing from the nozzle. Disassembly will affect the performance of the nozzle.

Parts lists for the 246008 Electronic Meter



Ref. No.	Part No.	Description	Qty.
	246005	EXTENSION, rigid 45 degree includes 2a thru 2c	1
2a*	113419	NUT, seal	1
2b*	159246	SPOUT	1
2c*	246003	NOZZLE, quick close	1
3	101864	SCREW, cap SCH	8
	246007	EXTENSION, flexible hose includes 4a thru 4c	1
4a+	246003	NOZZLE, quick close	1
4b+	15B286	HOSE, coupled, 12"	1
4c+	113419	NUT, seal	1
	246006	EXTENSION, rigid, 90 degree includes 5a thru 5d	1
5a✓	201540	NOZZLE, non-drip	1
5b✓	187046	TUBE, nozzle	1
5c✓	159841	ADAPTER	1
5d✓	113419	NUT, seal	1
10	117244	VALVE, solenoid coax	1
11	117456	BATTERY, 9.6V NMH	2
12†	117436	SCREW, mach, torx, PN, HD	11
13‡	117474	BOARD, PC, RF, Matrix	1

Ref. No.	Part No.	Description	Qty.
14‡	117481	SPRING, plunger	1
15‡	117482	SPRING, return	1
20†	15A753	HANDLE, valve right	1
21†	15A754	HANDLE, valve left	1
22	15A756	RING, end cap	1
23	15A757	RING, front	1
24‡	15A943	TRIGGER, switch	1
25‡	15A944	PLUNGER, trigger	1
26†	15B043	SWITCH, PSM two position	1
27	15B103	BOOT	1
28	15B104	BOOT	1
34†	246004	MODULE, electronic,	1

* These parts are included in Nozzle Kit 246005. Individually listed parts cannot be ordered separately.

+ These parts are included in Nozzle Kit 246007. Individually listed parts cannot be ordered separately.

✓ These parts are included in Nozzle Kit 246006. Individually listed parts cannot be ordered separately.

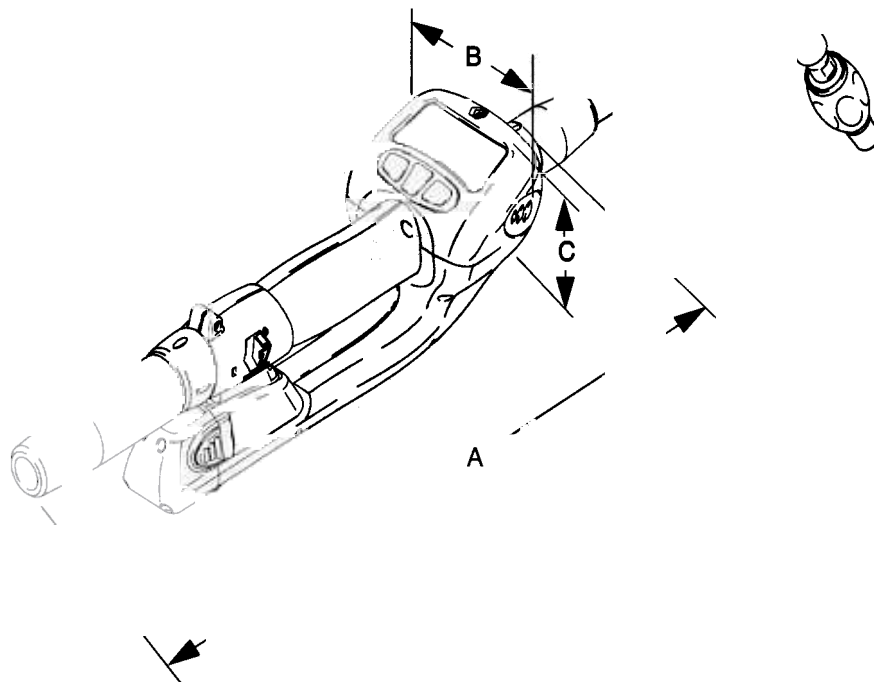
† These parts are included in Electronics Repair Kit 111111. Individually listed parts cannot be ordered separately.

‡ These parts are included in Trigger Repair Kit 111111, Individually listed parts cannot be ordered separately.

Technical Specifications

Category	Data
Maximum Working Fluid Pressure	1600 psi (11.0 MPa, 110 bar)
Operating pressure range	45 to 1600 psi (0.7 MPa, 7 bar to 11.0 MPa, 110 bar)
Flow Range	0.26 to 5 gpm (1 to 18.9 lpm)
Weight	2.7 lb (1.2 kg)
Units of measurement	factory-set in quarts or liters maximum totalizer amount = 99999 gallons or liters maximum recorded dispensed volume = 999.99 units maximum preset volume = 99.9 units
Inlet	1/2" npt
Outlet	3/8" npt
Operating temperature range	32° F to 120° F (0° C to 49° C)
Storage temperature range	-30° F to 120° F (-34° C to 49° C)
Battery	rechargeable nickel-metal hydride 9.6 VDC
Wetted parts	zinc, stainless steel, carbon steel, polyurethane, nitrile rubber
Fluid compatibility	lubricating oils, antifreeze mixtures
Meter valve assembly pressure loss at 1.5 gpm (5.7 lpm) with 30-weight oil at 70° F (21° C)	17 psi (117kPa, 1.2 bar)
Accuracy	+/- 0.5 percent
Repeatability	+/- 0.15 percent

- A** 14.0 in. (356 mm) outlet to end of swivel cover
- B** .375 in. (95 mm) widest cross section (including impact guard)
- C** 3.10 in. (79 mm) keypad to bottom of impact guard



Graco Standard Warranty

Graco warrants all equipment manufactured by Graco and bearing its name to be free from defects in material and workmanship on the date of sale by an authorized Graco distributor to the original purchaser for use. With the exception of any special, extended, or limited warranty published by Graco, Graco will, for a period of twelve months or two thousand hours of operation from the date of sale, repair or replace any part of the equipment determined by Graco to be defective. However, any deficiency in the gun barrel, gun body, manifold, mounting bracket, internal power supply, and alternator (excluding turbine bearings) will be repaired or replaced for thirty-six months or six thousand hours of operation from the date of sale. This warranty applies only when the equipment is installed, operated and maintained in accordance with Graco's written recommendations.

This warranty does not cover, and Graco shall not be liable for general wear and tear, or any malfunction, damage or wear caused by faulty installation, misapplication, abrasion, corrosion, inadequate or improper maintenance, negligence, accident, tampering, or substitution of non-Graco component parts. Nor shall Graco be liable for malfunction, damage or wear caused by the incompatibility of Graco equipment with structures, accessories, equipment or materials not supplied by Graco, or the improper design, manufacture, installation, operation or maintenance of structures, accessories, equipment or materials not supplied by Graco.

This warranty is conditioned upon the prepaid return of the equipment claimed to be defective to an authorized Graco distributor for verification of the claimed defect. If the claimed defect is verified, Graco will repair or replace free of charge any defective parts. The equipment will be returned to the original purchaser transportation prepaid. If inspection of the equipment does not disclose any defect in material or workmanship, repairs will be made at a reasonable charge, which charges may include the costs of parts, labor, and transportation.

THIS WARRANTY IS EXCLUSIVE, AND IS IN LIEU OF ANY OTHER WARRANTIES, EXPRESS OR IMPLIED, INCLUDING BUT NOT LIMITED TO WARRANTY OF MERCHANTABILITY OR WARRANTY OF FITNESS FOR A PARTICULAR PURPOSE.

Graco's sole obligation and buyer's sole remedy for any breach of warranty shall be as set forth above. The buyer agrees that no other remedy (including, but not limited to, incidental or consequential damages for lost profits, lost sales, injury to person or property, or any other incidental or consequential loss) shall be available. Any action for breach of warranty must be brought within two (2) years of the date of sale.

Graco makes no warranty, and disclaims all implied warranties of merchantability and fitness for a particular purpose in connection with accessories, equipment, materials or components sold but not manufactured by Graco. These items sold, but not manufactured by Graco (such as electric motors, switches, hose, etc.), are subject to the warranty, if any, of their manufacturer. Graco will provide purchaser with reasonable assistance in making any claim for breach of these warranties.

In no event will Graco be liable for indirect, incidental, special or consequential damages resulting from Graco supplying equipment hereunder, or the furnishing, performance, or use of any products or other goods sold hereto, whether due to a breach of contract, breach of warranty, the negligence of Graco, or otherwise.

FOR GRACO CANADA CUSTOMERS

The parties acknowledge that they have required that the present document, as well as all documents, notices and legal proceedings entered into, given or instituted pursuant hereto or relating directly or indirectly hereto, be drawn up in English. Les parties reconnaissent avoir convenu que la rédaction du présente document sera en Anglais, ainsi que tous documents, avis et procédures judiciaires exécutés, donnés ou intentés à la suite de ou en rapport, directement ou indirectement, avec les procédures concernées.

Graco Phone Numbers

TO PLACE AN ORDER, contact your Graco distributor, or call this number to identify the distributor closest to you:

1-800-533-9655 Toll Free

612-623-6928

612-378-3590 Fax

*All written and visual data contained in this document reflects the latest product information available at the time of publication.
Graco reserves the right to make changes at any time without notice.*

Sales Offices: Minneapolis, Detroit

International Offices: Belgium Korea, Hong Kong, Japan

GRACO INC. P.O. BOX 1441 MINNEAPOLIS, MN 55440-1441

www.graco.com

Printed in USA 309497A