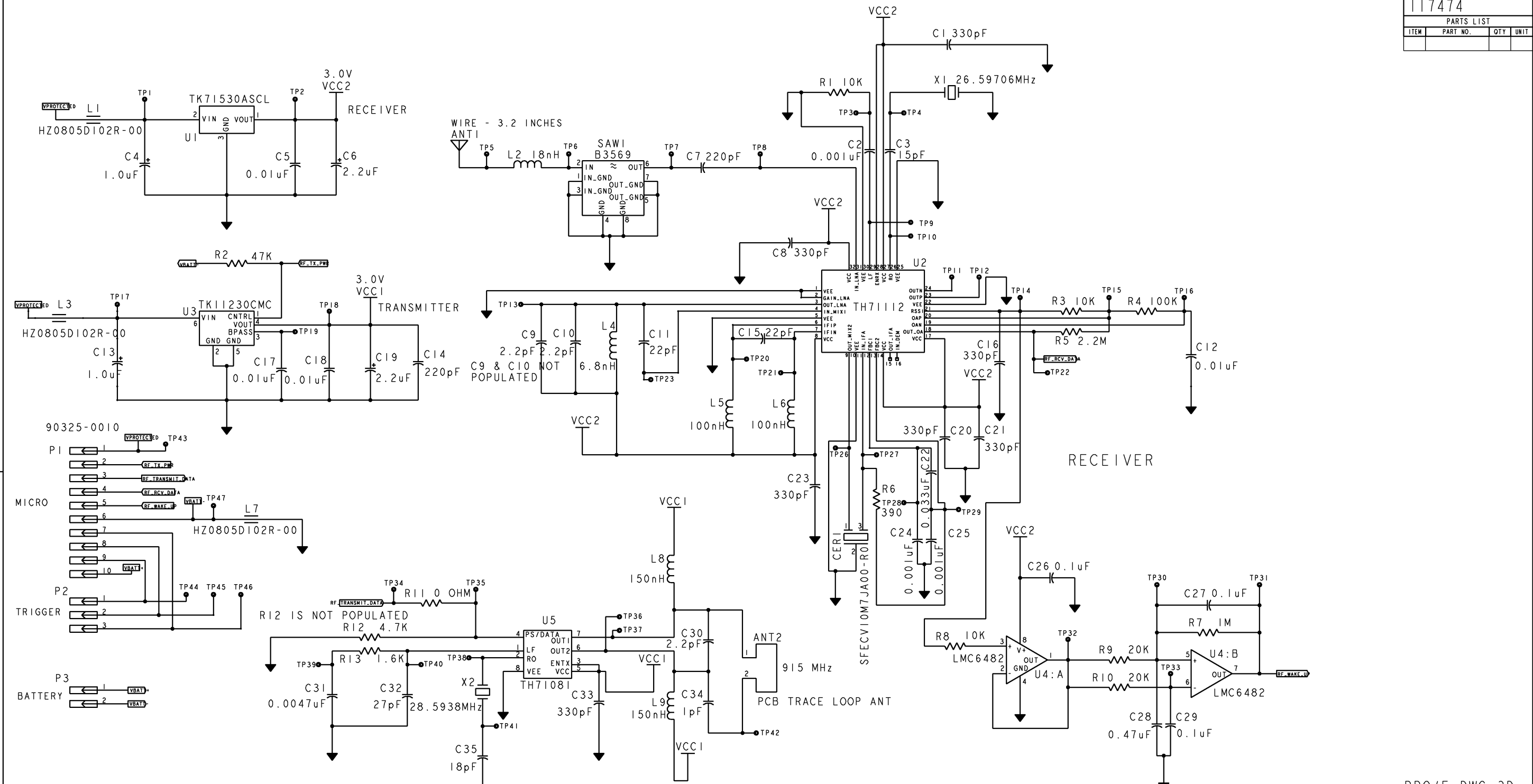


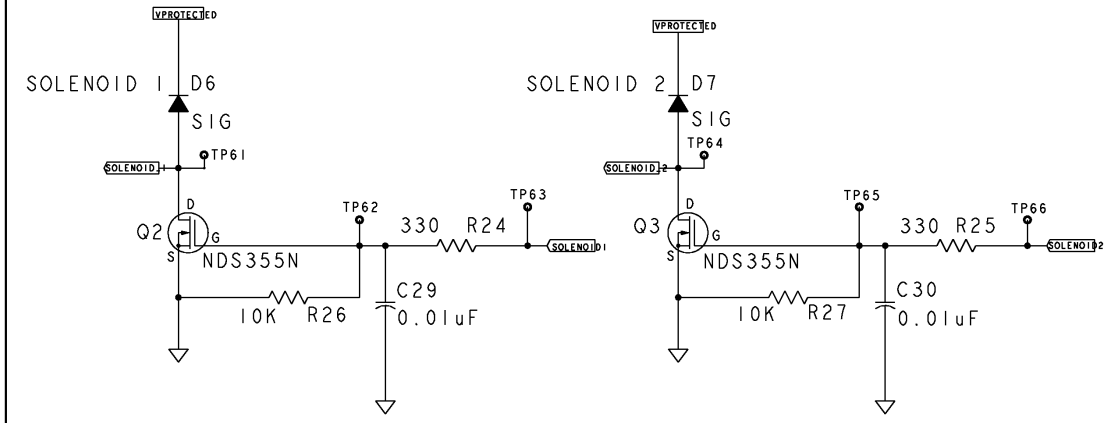
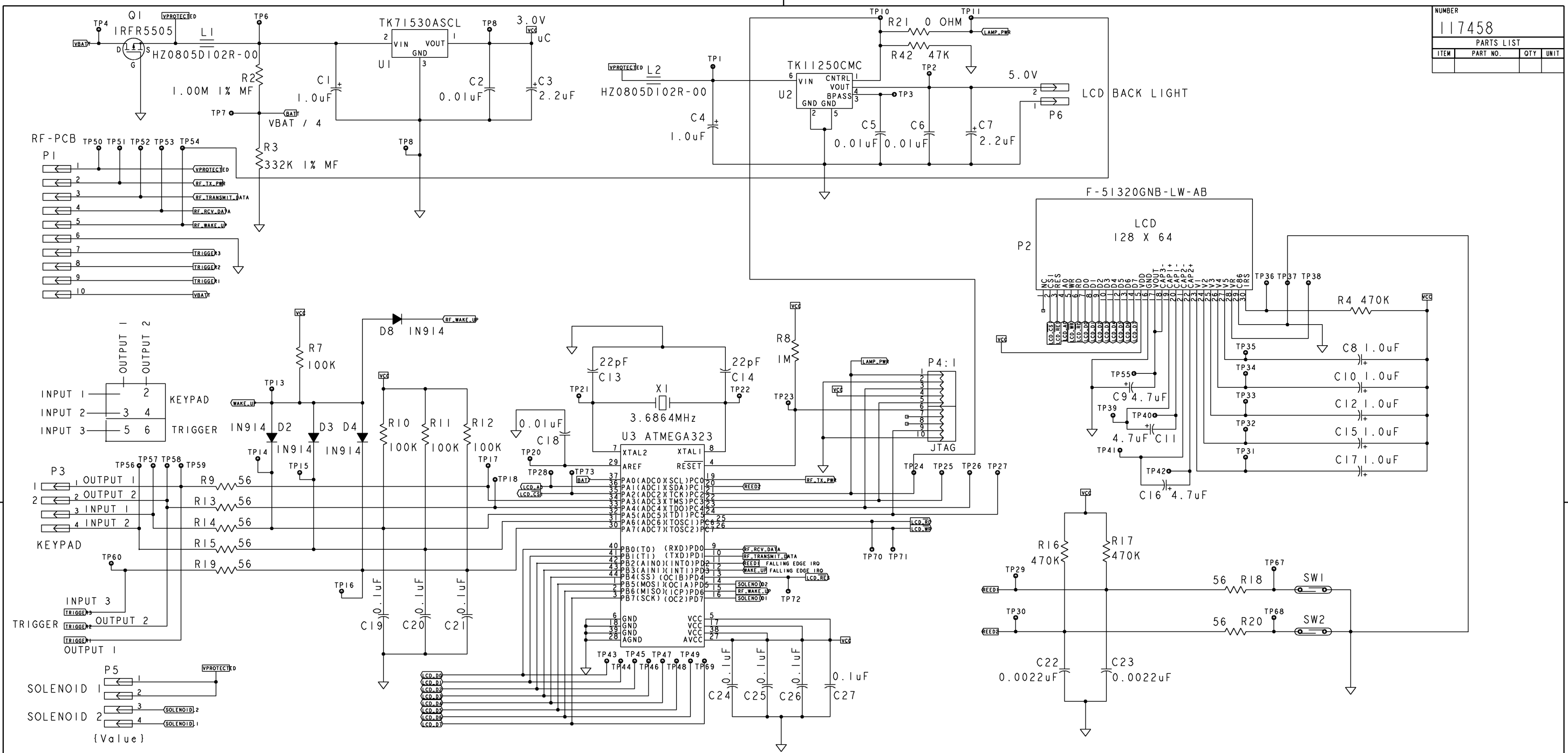
NUMBER			
117474			
PARTS LIST			
ITEM	PART NO.	QTY	UNIT



PRO/E-DWG-3D

UNLESS OTHERWISE NOTED: DIMENSIONS ARE IN INCHES SILICONE-FREE STD 4.1208 DIM & TOL STD 1.0402 & ANSI Y14.5M TOLERANCES: SEE GRACO STANDARDS CENTERLINE VARIANCE STD 1.0406 HOLES STD 1.0407 SHEET METAL STD 1.0408 PLATED & HT TR PARTS STD 1.0409 BURNS & EDGES STD 1.0420 THREADS STD 1.0425 SURFACE ROUGHNESS STD 1.0445						SCALE		CONFIDENTIAL THIS DRAWING SHALL BE USED ONLY AS SPECIFIED BY GRACO. ANY OTHER USE, REPRODUCTION OR DISCLOSURE TO OTHERS WITHOUT WRITTEN PERMISSION IS PROHIBITED.
						NONE		
						DFTG TECH	G. THURY CHECKER	TITLE BOARD, RF, METER MATRIX
						ENGINEER		
						DECIMALS .X XX .XXX	M. KING	SHEET NUMBER
						ANGLES ±.03 ±.01 ±.005 ±1/2°		
MATERIAL						SPEC. NO.	D	2 OF 3
FINISH						DATE		
REVISIONS						DATE		
REVISIONS						DATE		

NUMBER			
117458			
PARTS LIST			
ITEM	PART NO.	QTY	UNIT



TR	DESCRIPTION	ECO	DATE	TR	DESCRIPTION	ECO	DATE
B	CLEANED UP DRAWING		7/5/02	Z009535			
A	RELEASED 278M		5/2/02	Z008982			

UNLESS OTHERWISE NOTED: DIMENSIONS ARE IN INCHES SILICONE-FREE STD 4.1208 DIM & TOL STD 1.0402 & ANSI Y14.5M TOLERANCES: SEE GRACO STANDARDS CENTERLINE VARIANCE STD 1.0406 HOLES STD 1.0407 SHEET METAL STD 1.0408 PLATED & HT TR PARTS STD 1.0409 BURNS & EDGES STD 1.0420 THREADS STD 1.0425 SURFACE ROUGHNESS STD 1.0445	SCALE NONE DFTG TECH 5/2/02 G. THURY CHECKER ENGINEER M. KLING
---	--

PRO/E-DWG-3D		CONFIDENTIAL	
THIS DRAWING SHALL BE USED ONLY AS SPECIFIED BY GRACO. ANY OTHER USE, REPRODUCTION OR DISCLOSURE TO OTHERS WITHOUT WRITTEN PERMISSION IS PROHIBITED.		TITLE BOARD, PC, METER, MATRIX, (MAIN)	
SPEC. NO. FINISH	SIZE D	SHEET 2 OF 3	NUMBER 117458