

# Antenna Model: ATH-TWX9

FIC RnD

12July2021

Manufacture: Charter Media (Dongguan) Co., Ltd.  
Address: Dabandi Industrial Zone, Daning District, Humen Town, 523930  
Dongguan City, Guangdong, China

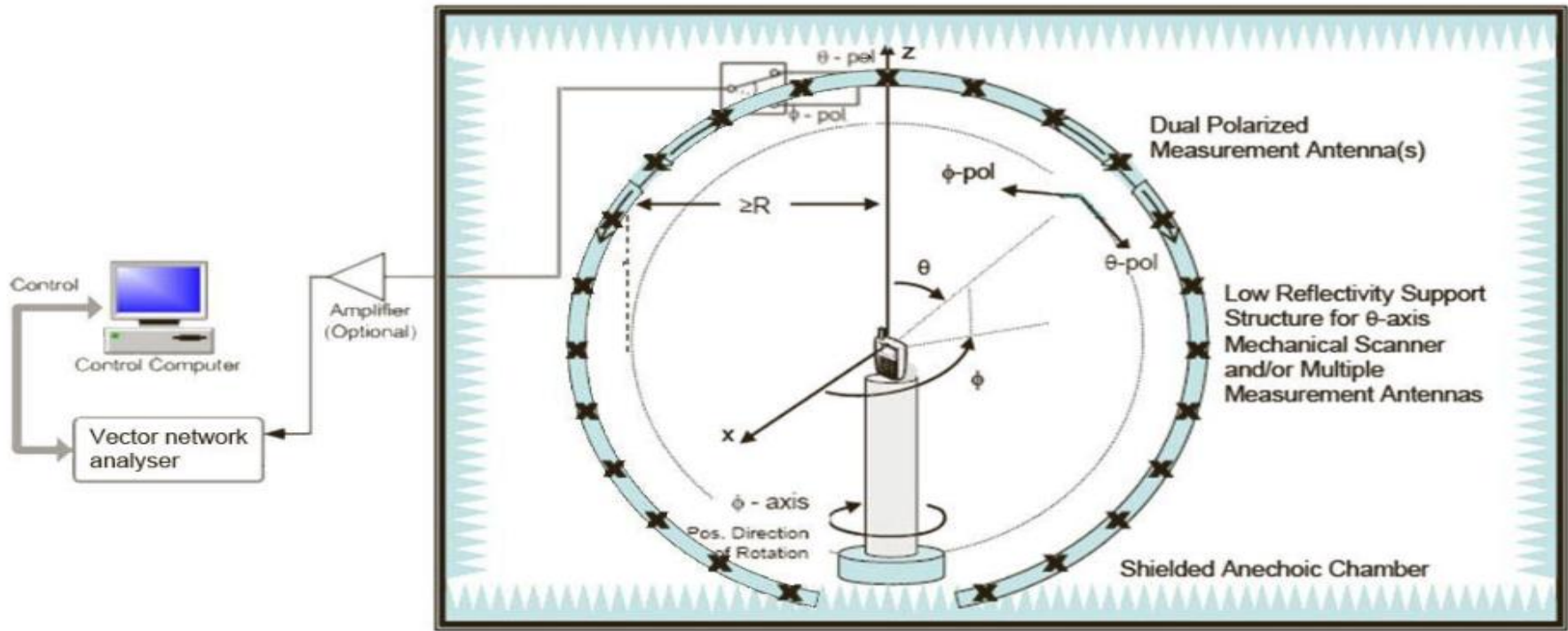
# Characteristics:

1. Antenna type: LDS Monopole
2. Gain and efficiency
3. 2D antenna pattern at CH0, CH39 and CH78

# Test Environment Condition

- 1) Temperature: 18-30°C
- 2) Relative Humidity: 45-65%

Test Setup:



# Test environment



# EUT

Lch

TP2001 Lch Original ANT

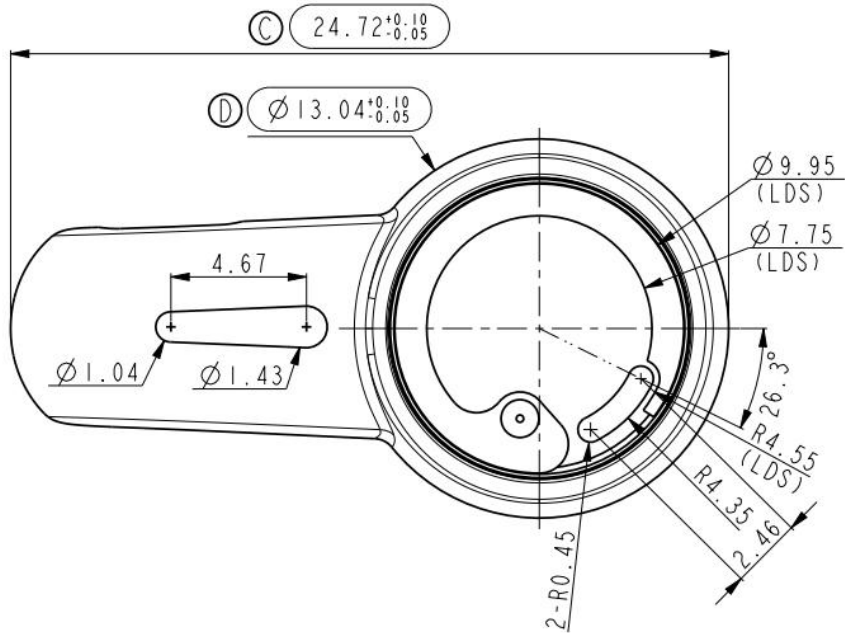


Rch

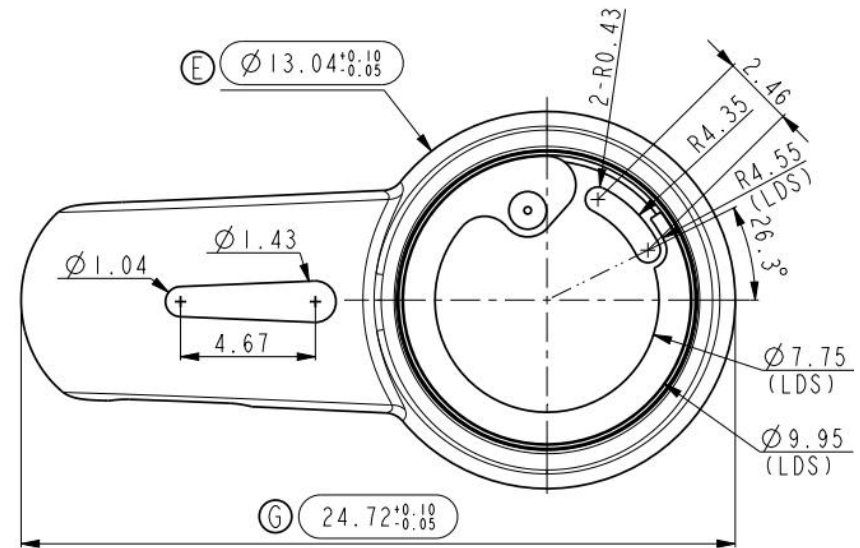
TP2001 Rch Original ANT



# Antenna size



**L CH**



**R CH**

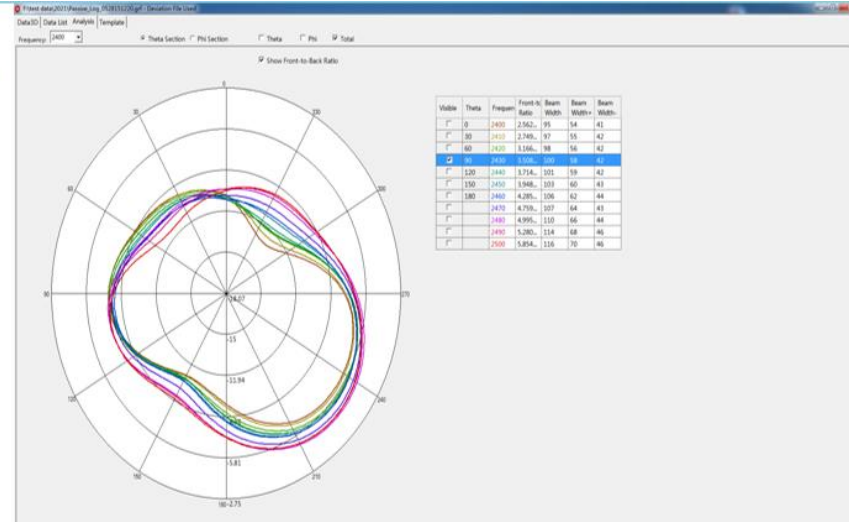
# Gain and efficiency

L			
频点MHz	效率%	效率(dB )	增益(dBi)
2400	11.7%	-9.3	-5.8
2410	12.1%	-9.2	-6.0
2420	12.6%	-9.0	-6.2
2430	12.4%	-9.1	-6.5
2440	12.0%	-9.2	-6.9
2450	12.2%	-9.1	-7.1
2460	12.2%	-9.1	-7.2
2470	13.2%	-8.8	-6.8
2480	13.7%	-8.6	-6.6
平均值	12.6%	-9.1	-6.6

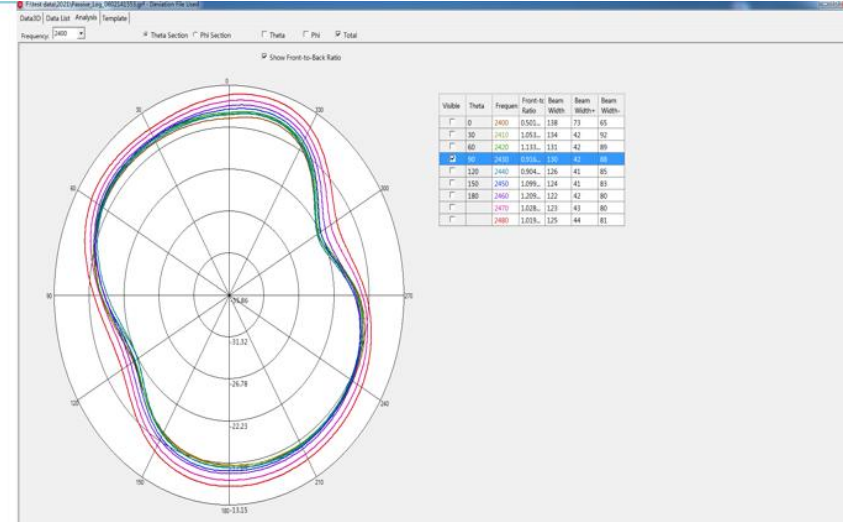
R			
频点MHz	效率%	效率(dB )	增益(dBi)
2400	16.0%	-8.0	-4.7
2410	16.0%	-7.9	-4.5
2420	17.0%	-7.8	-4.5
2430	16.0%	-7.9	-4.8
2440	15.0%	-8.2	-5.1
2450	15.0%	-8.1	-5.1
2460	15.0%	-8.3	-5.4
2470	15.0%	-8.1	-5.2
2480	16.0%	-8.0	-4.9
平均值	15.8%	-8.0	-4.9

# Passive 2D antenna pattern

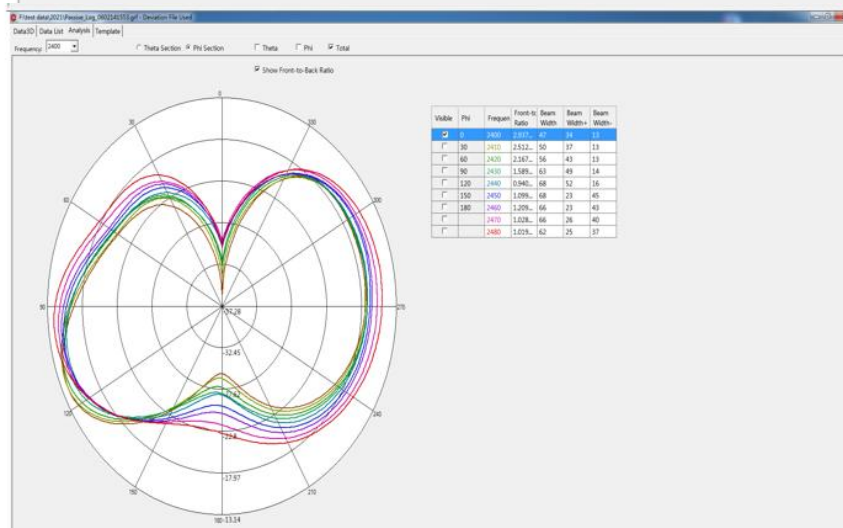
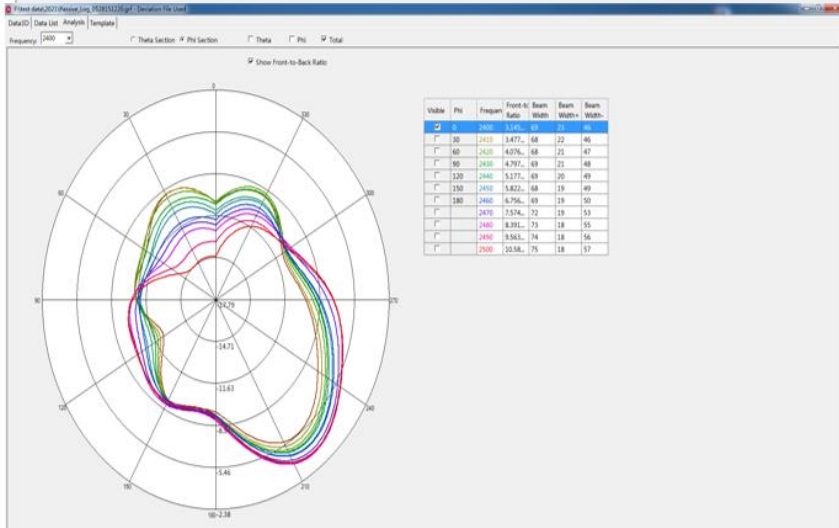
L  
Theta=90°



R



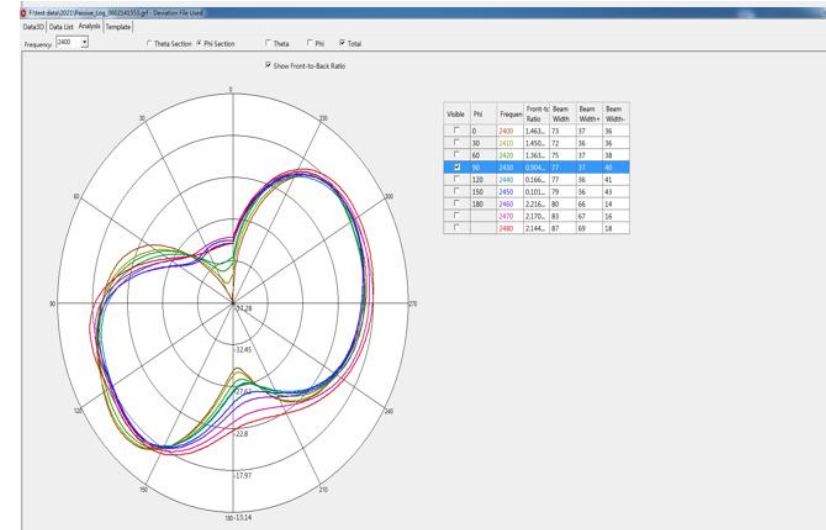
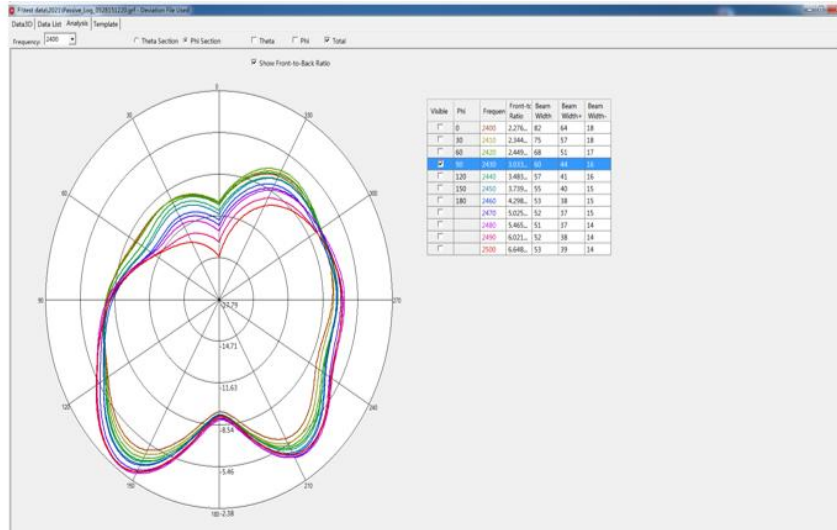
Phi=0°





## Passive 2D antenna pattern

Phi=90°





*thanks*