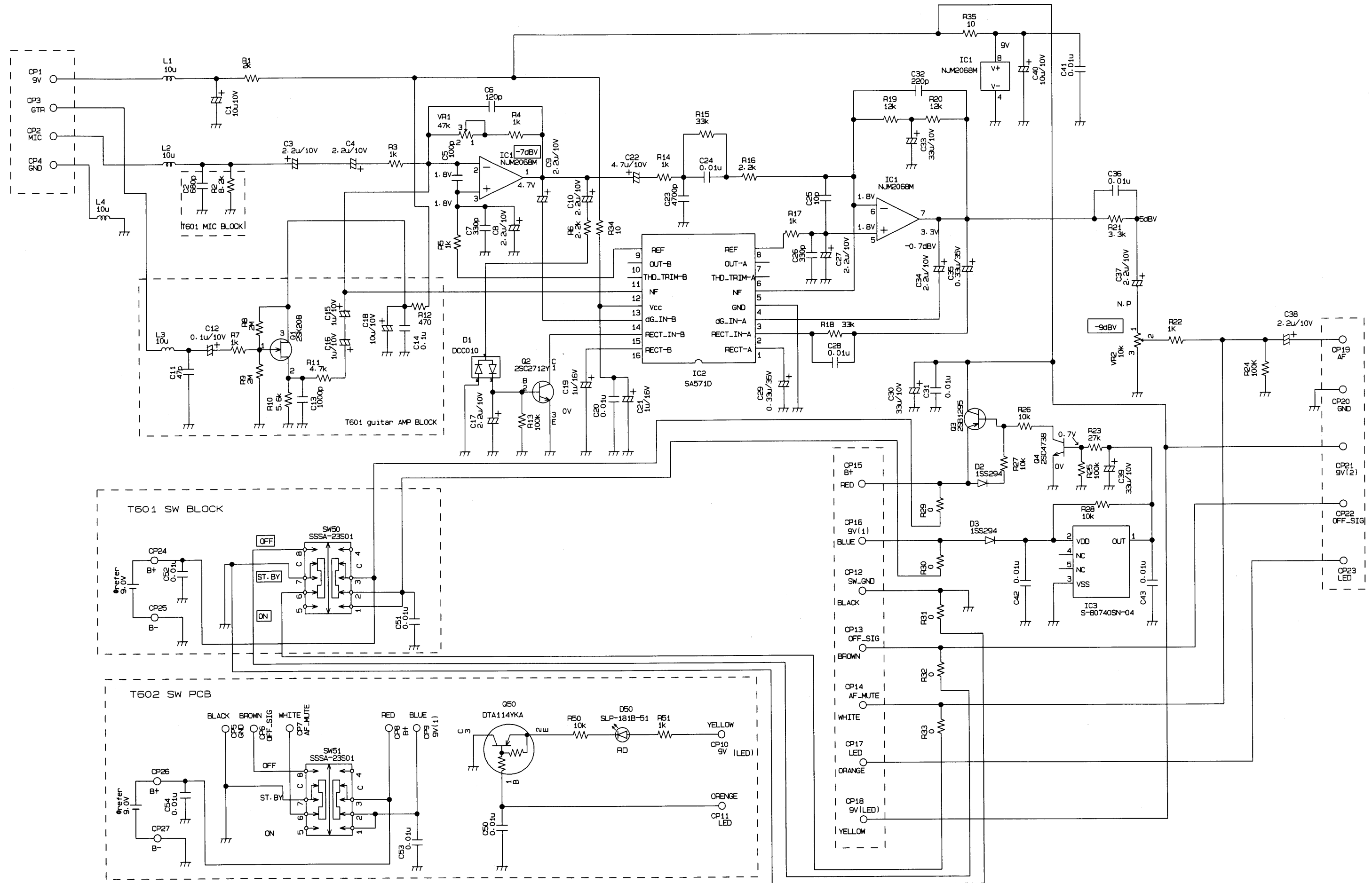
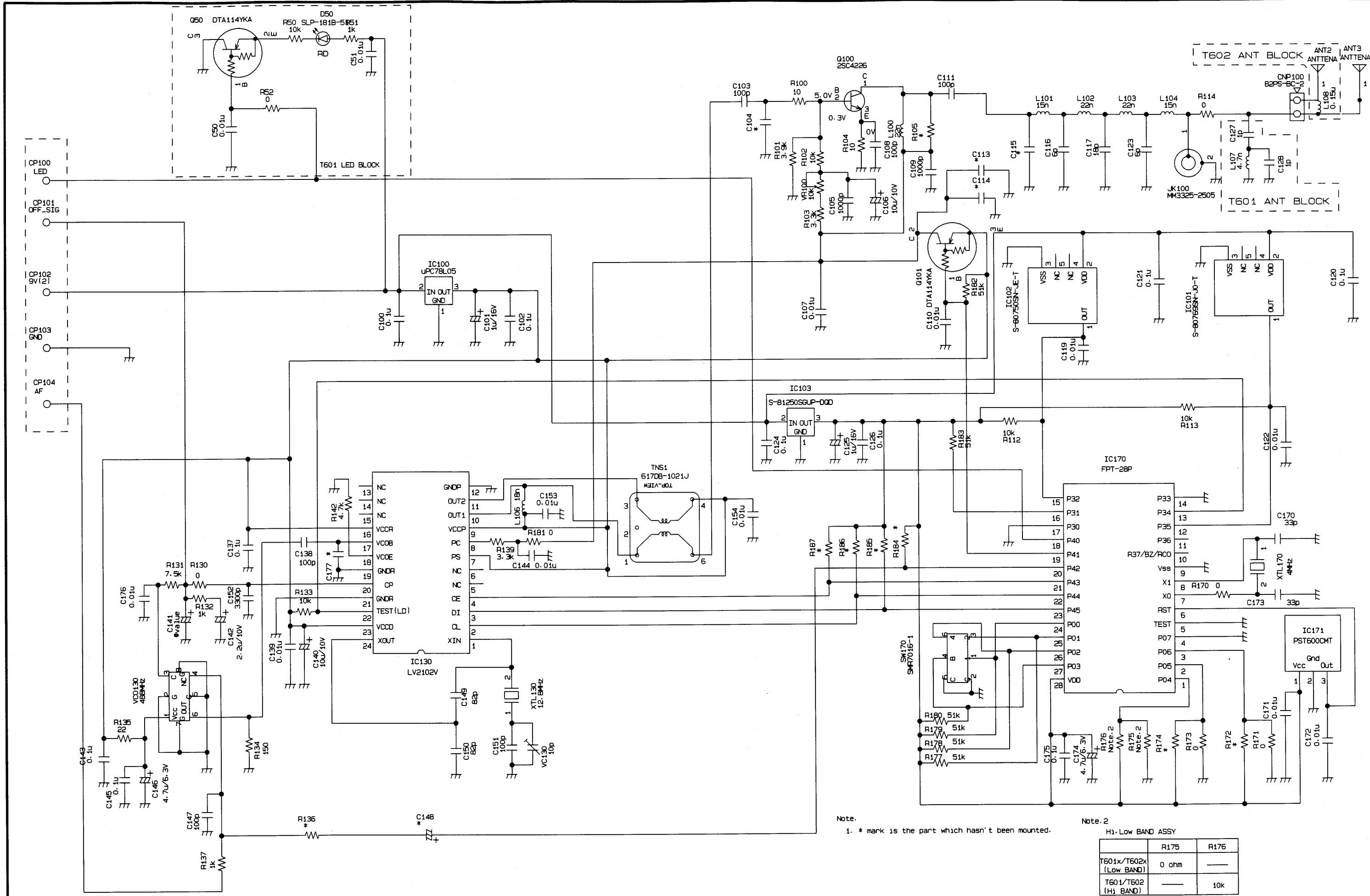


-38.0dBV at 1kHz



Circuit View ATW-T601, 602-1/2



Note.
1. * mark is the part which hasn't been mounted.

Note.2
H1. Low BAND ASSY

	R175	R176
T601x/T602x (Low BAND)	0 ohm	—
T601/T602 (Hi BAND)	—	10k

Circuit View ATW-T601, 602-2/2